



**BAUDOUIN DIESEL PARTS CATALOGUE
12M26D968E200**

 **MOTEURS**
Baudouin

Preface

PREFACE

This illustrated parts manual is specially prepared for customers to facilitate the use of M26 series diesel engine in operation and tenance.

The illustrations are grouped under the heading of each assembly and numbered individually.Part.

No.,Quantity,Model,English designation,Chinese designation and so on are written in the parts list .
The parts catalogue include detailed assembling parts list of diesel engine ,some parts can not be sold ,if you want to know selling part matters,please ask weichai power spare part resource CO.,LTD.

With the development of technology and production,the versions of the diesel engine will be increased, so the catalogue will be revised.Please pay attention to our revised edition.After service of this product is authorized to Weichai Power Co.,Ltd ,Consumers can acquire information of this product through www.weichai.com.

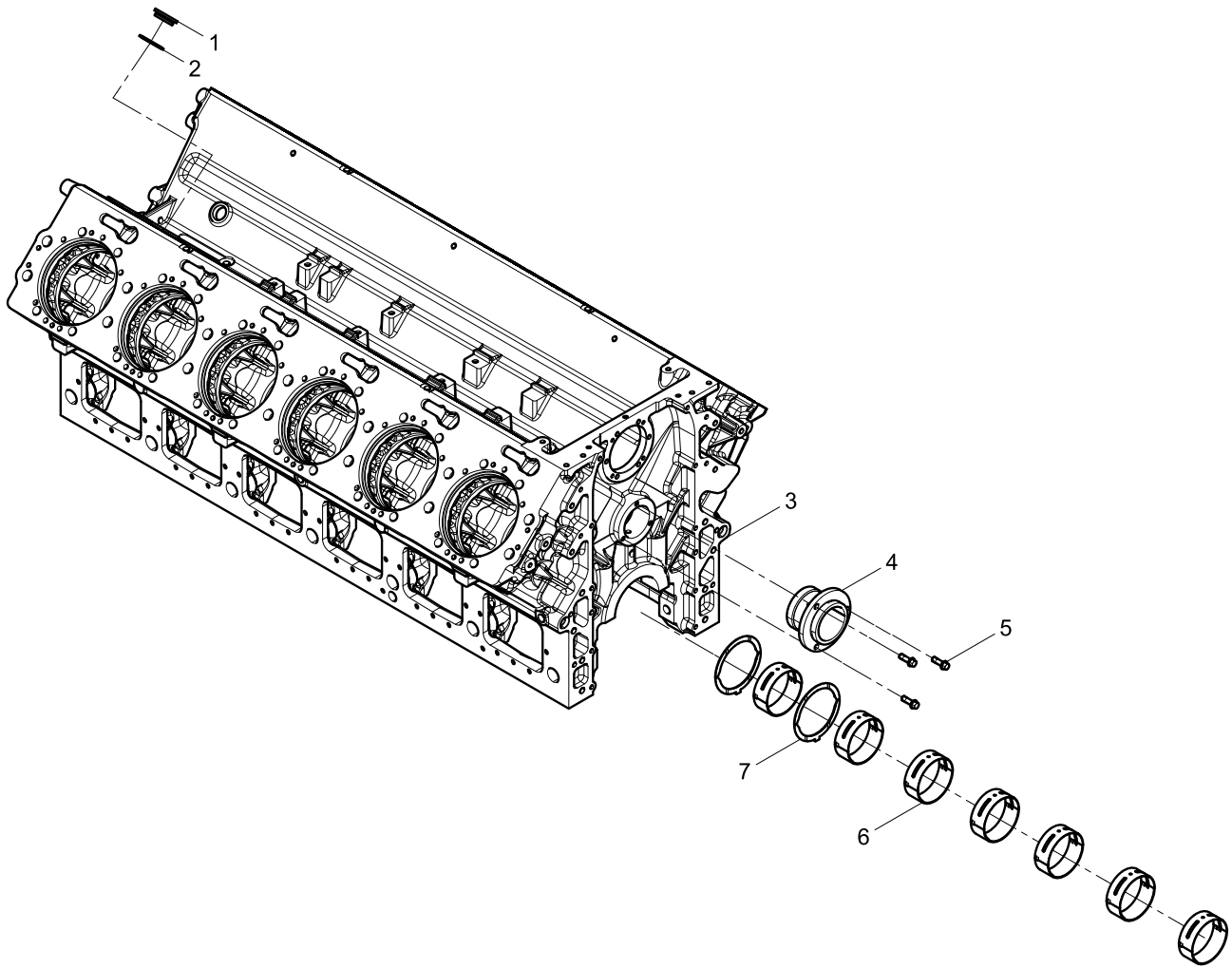
CONTENTS

Engine Block Group	1
crankcase assembly	3
crankcase pre-assembly	5
Main Bearing Set.....	7
Front End Cover Group.....	9
Flywheel Housing Group.....	11
Rear Oil Seal Group	13
Oil Pan Group	15
Cylinder Head Group.....	19
Cylinder head set	21
Valve Bridge Assembly	23
Cylinder Head Assembly.....	25
Cylinder Head Subassembly	27
Rocker Arm Set.....	29
Intake Rocker Arm Assembly	31
Exhaust Rocker Arm Assembly	33
Cylinder Head Accessory Group.....	35
Bracket assembly	37
Oil-gas Separator Group.....	39
Breather assembly	41
Crankshaft Group.....	43
Crankshaft Assembly	45
Flywheel Group.....	47
Flywheel Assembly	49
Crankshaft Pulley Group.....	51
Piston and Connecting Rod Group	53
Connecting Rod Assembly.....	55
Piston Assembly.....	57
Camshaft Group.....	59
Camshaft Assembly.....	61
Tappet And Push Rod Group	63

Push Rod.....	65
Water Pump Group	67
Water Pipe Group	69
Oil Pump Group.....	71
Oil Filter Group	73
Oil Pressure Relief Valve	75
Pipe Joint	77
Pipe Joint	79
Oil pipe group.....	81
Oil Filter Group	83
Centrifuge filter assembly	85
Oil Cooler Group	87
Oil Cooler Assembly	89
Rocker Arm Oil Pipe Group.....	91
Injection pump Oil pipe Group	93
Fuel Injector Group.....	95
Fuel Injector	97
High Pressure Fuel Pipe Group.....	99
High-pressure Fuel Pipe Assembly	101
Fuel Injection Pump Drive shaft group	103
Connecting Plate.....	105
Fuel Injection Pump Group	107
Low Pressure Fuel Pipe Group.....	109
Fuel Supply Pump Group	113
Fuel Filter Group	115
Fuel System Protector	117
Electronic Governor Group	119
Shut-down Device Group	121
Starter Motor Group	123
Intake Manifold Group	125
Air Filter Group.....	127

Air Filter	129
Exhaust Manifold Group	131
Water Outlet Pipe Group	133
Thermostat Assembly.....	135
Compressor Pipe Group.....	137
Turbocharger Group	141
Turbocharger Oil Pipe Group	143
Connection syphon group.....	145
Oil Filling Tube Group	147
Packing Box Chassis Parts Group.....	149
Parts Box Group	151
Fan Bracket Group	153
Fan and Hub Group.....	155
Tensioner And Belt Group	157
Separate Delivery Parts Group Attached to Engine.....	159
Alternator Group	161

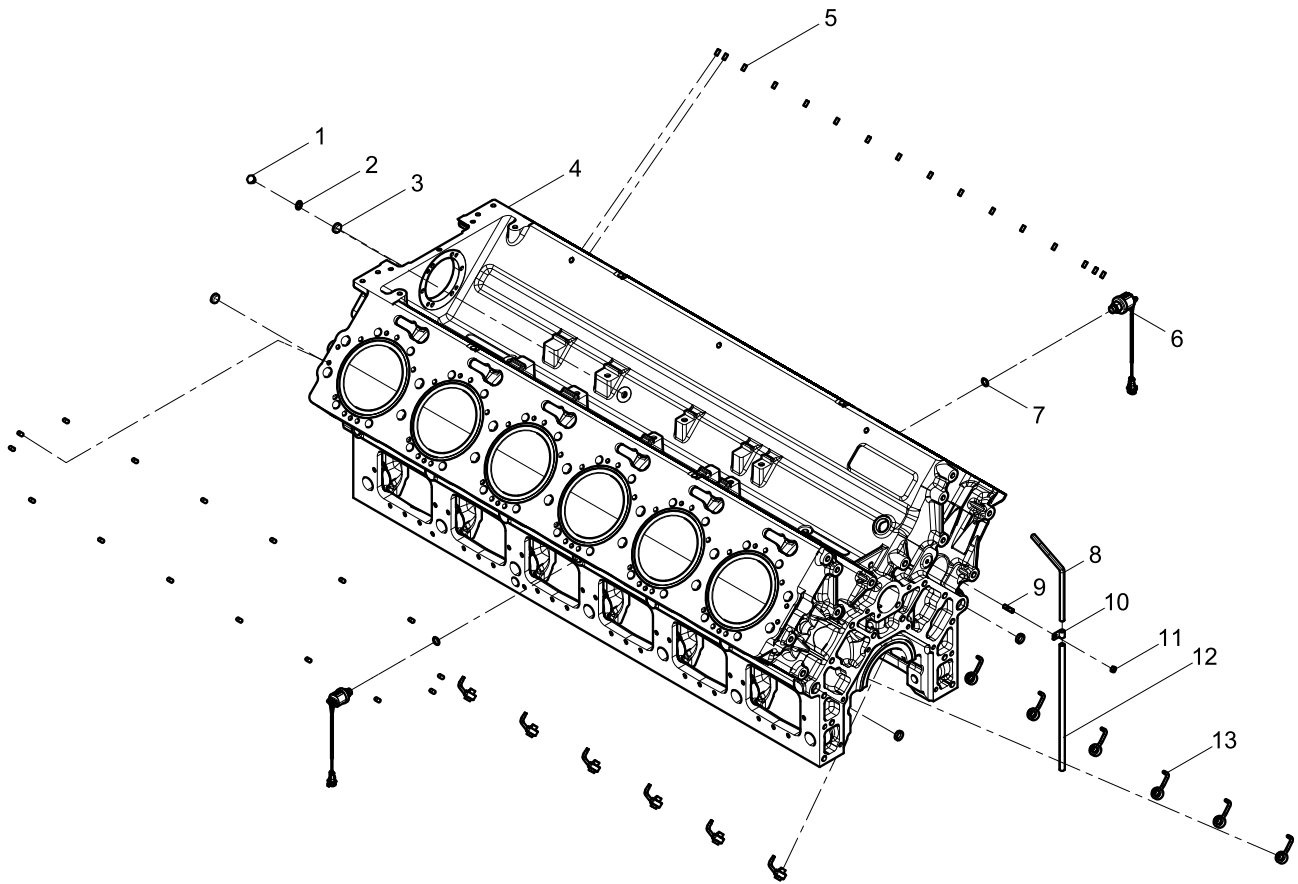
Engine Block Group



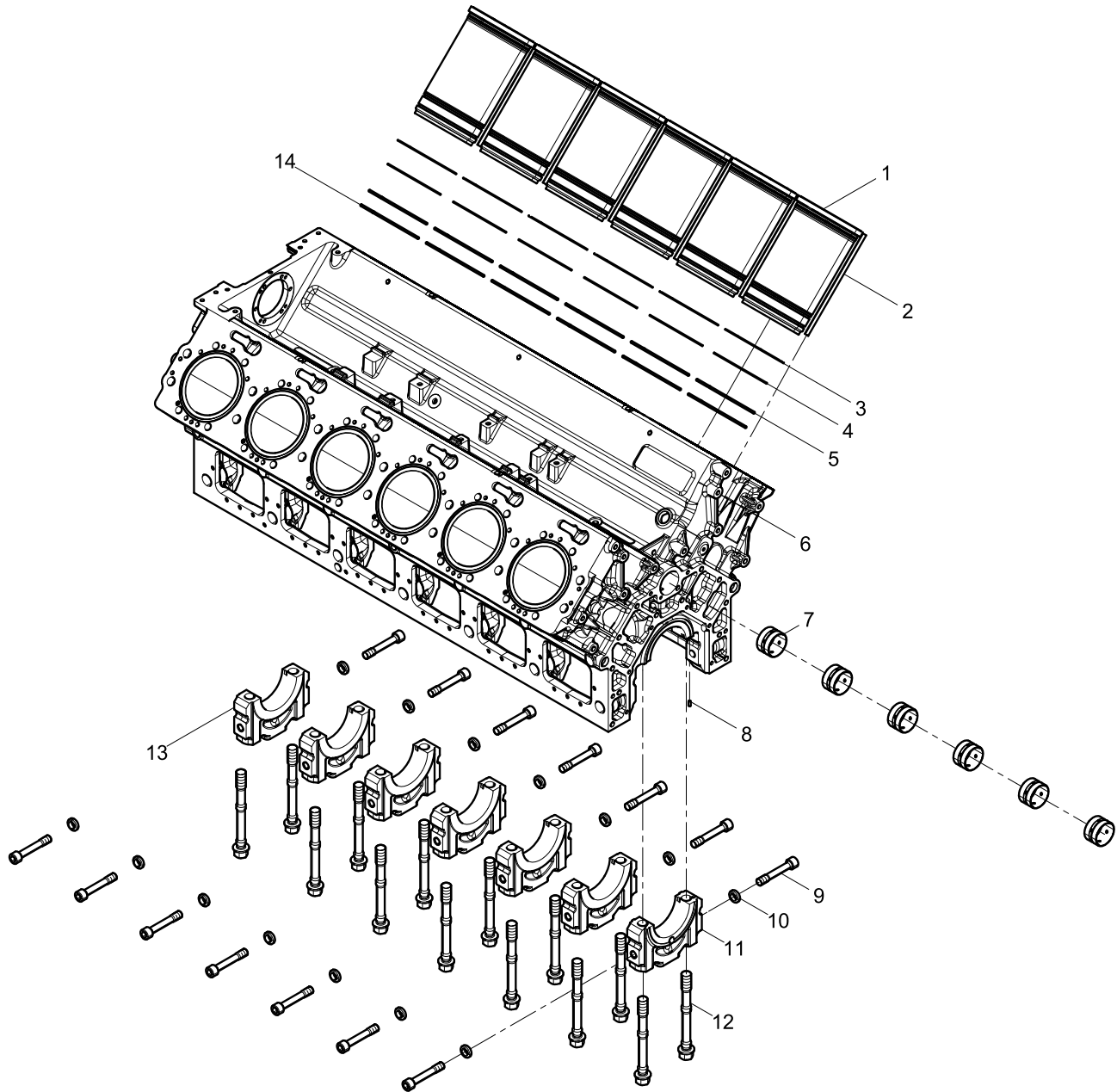
Engine Block Group

Pos.	Teile.Number	Amount	Designation
1	11128190J	1	Screw Plug
2	617001000071	1	Assembled Sealing Washer
3	1001232255	1	crankcase assembly
4	330201000154	1	Camshaft Thrust Bearing
5	1000428092	3	Hexagon Flange Bolt
6	1000644603	7	Main Bearing Set
7	13607820J	2	Thrust Plate Set

crankcase assembly



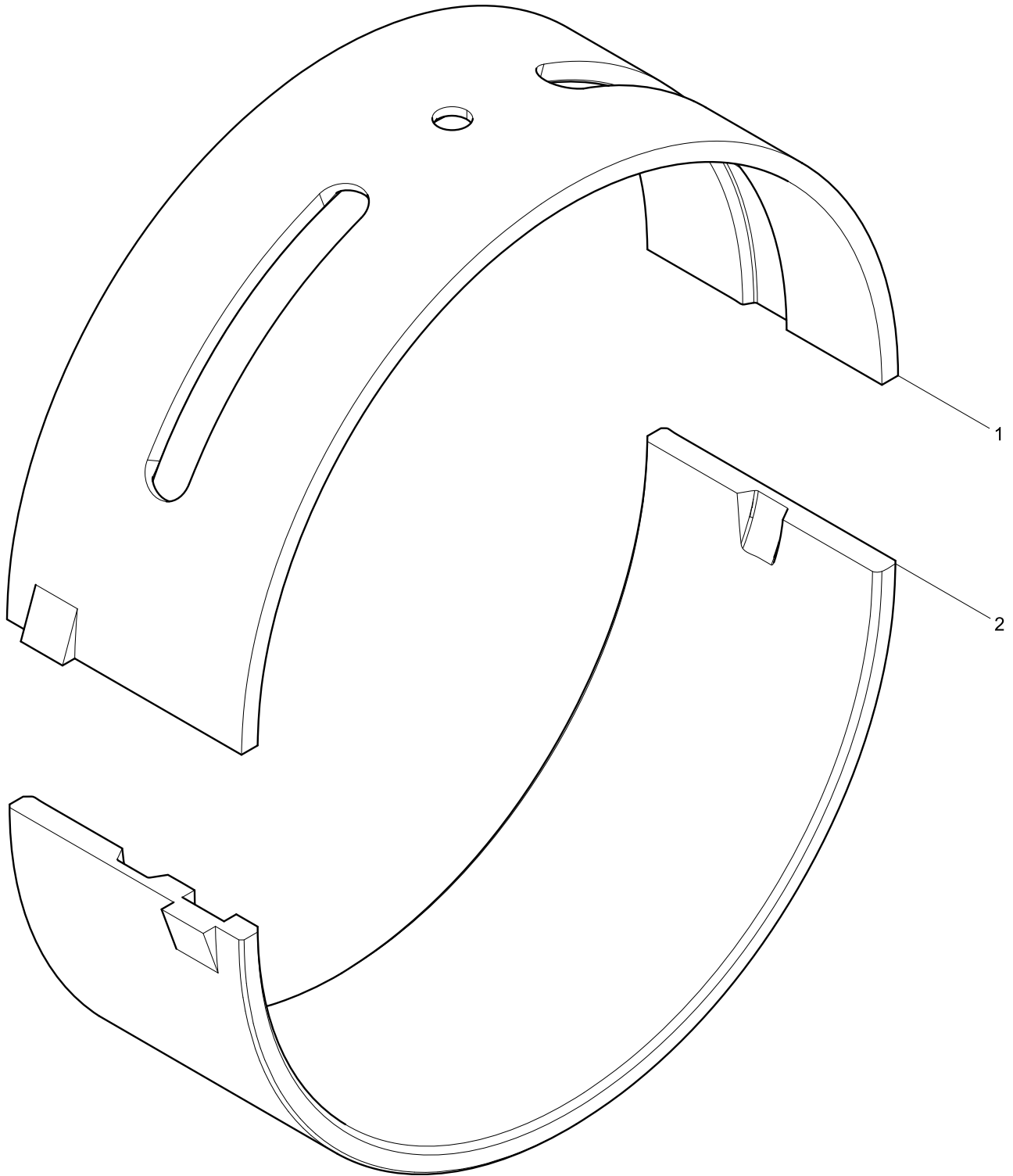
crankcase pre-assembly



crankcase pre-assembly

Pos.	Teile.Number	Amount	Designation
1	X6260.114	12	Cylinder Liner
2	1002239083	12	Pipe
3	330201000034	12	Cylinder Liner Ring
4	1001525022	12	Cylinder Liner Ring
5	1002429882	12	Cylinder Liner Ring
6	1002195915	1	Engine Block
7	13501210D	6	Camshaft Bush
8	1000872482	1	Parallel Pin
9	13607910G	14	Main Bearing Cap Auxiliary Screw
10	13607900W	14	Washer
11	13607860C	1	Thrust Bearing Cover
12	1001046098	14	Main Bearing Bolt
13	13607870H	6	Main Bearing Cap
14	1001525023	12	Cylinder Liner Ring

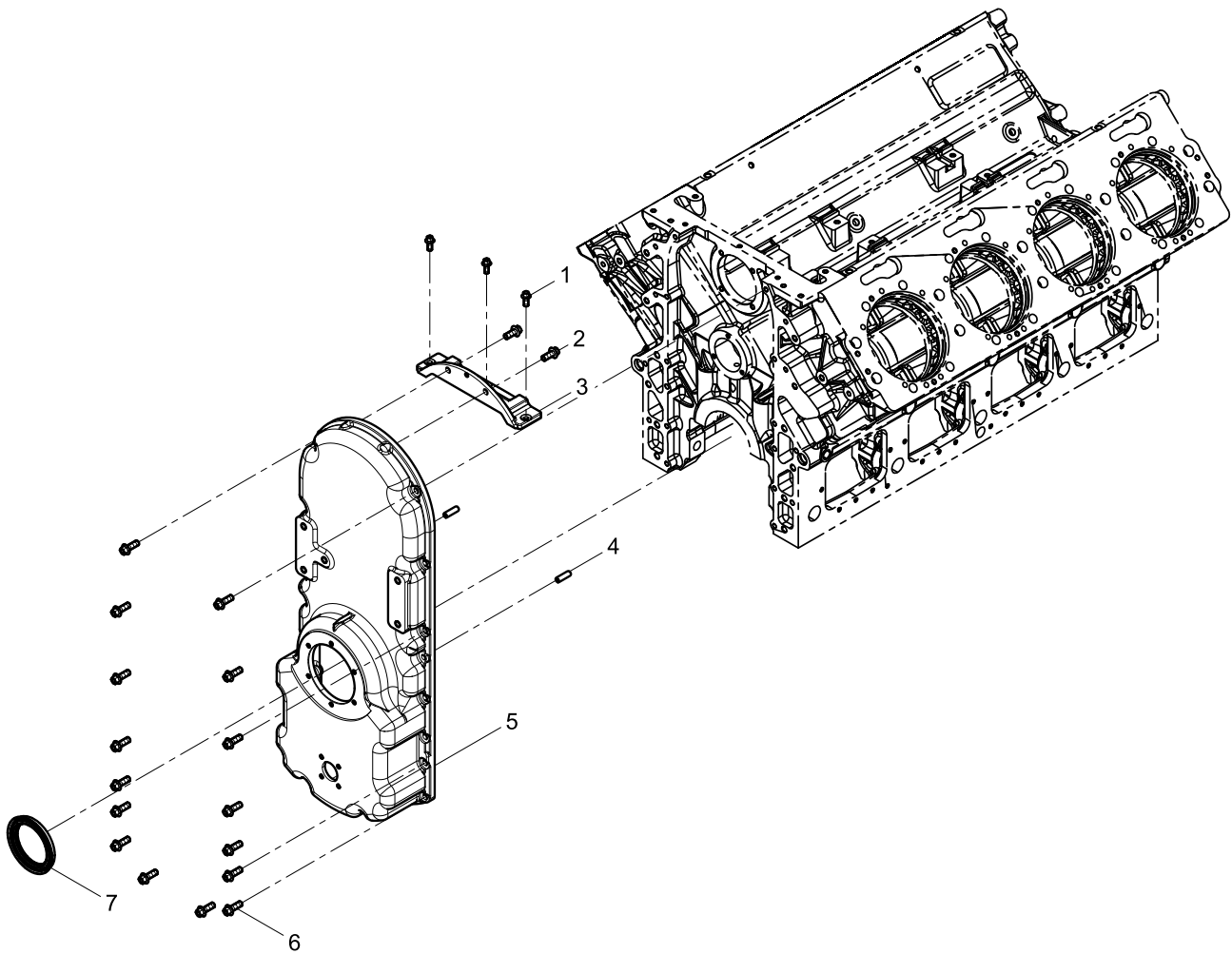
Main Bearing Set



Main Bearing Set

Pos.	Teile.Number	Amount	Designation
1	1000411697	1	Main Bearing Upper Shell
2	1000411698	1	Main Bearing Lower Shell

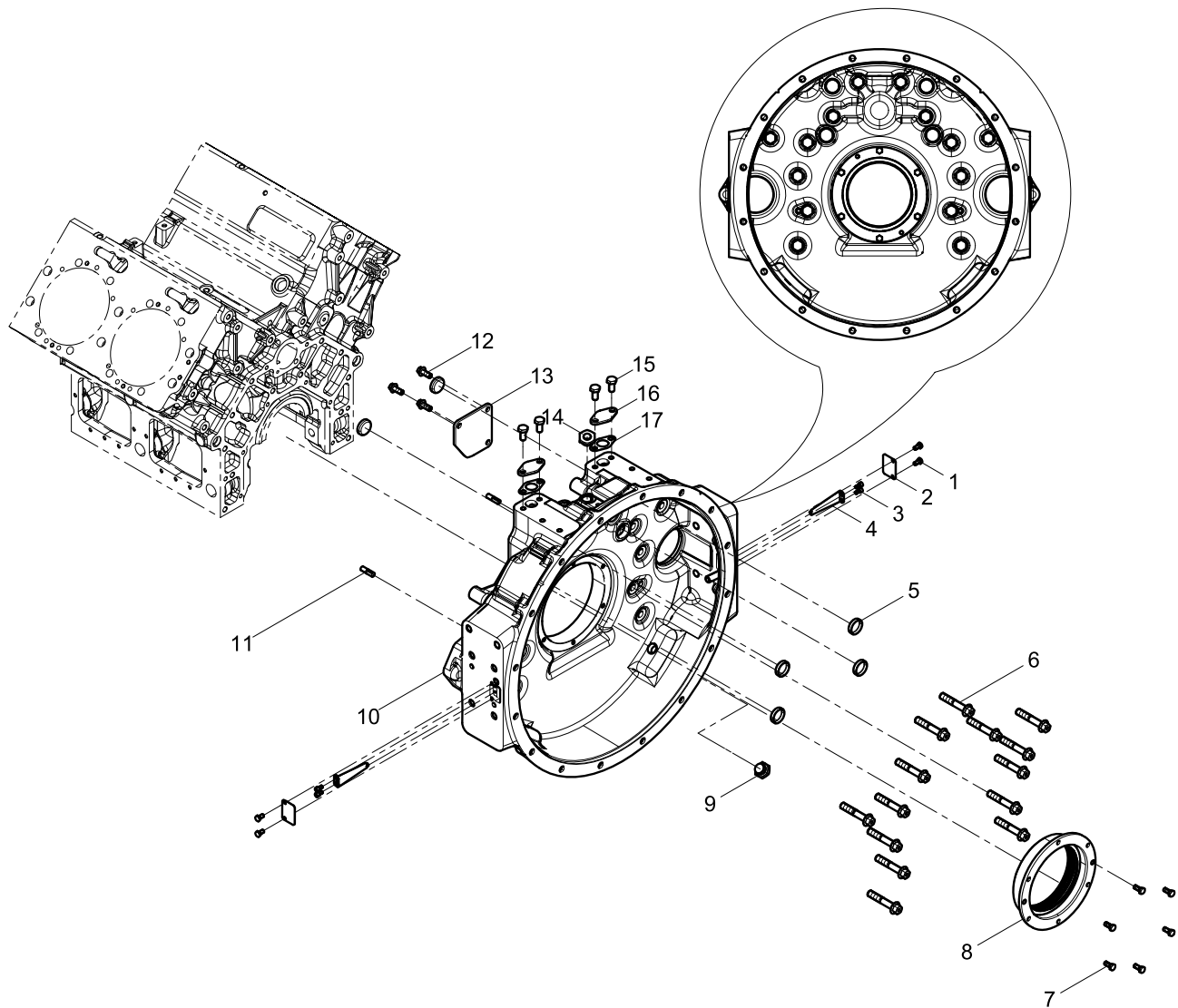
Front End Cover Group



Front End Cover Group

Pos.	Teile.Number	Amount	Designation
1	90011420022	3	Hexagon Flange Bolt
2	90011420007	2	Hexagon Flange Bolt
3	13601130M	1	Plate
4	90015060002	2	Parallel Pin with Internal Thread
5	1001377696	1	Front Cap
6	90011420002	16	Hexagon Flange Bolt
7	15013040X	1	Front Oil Seal

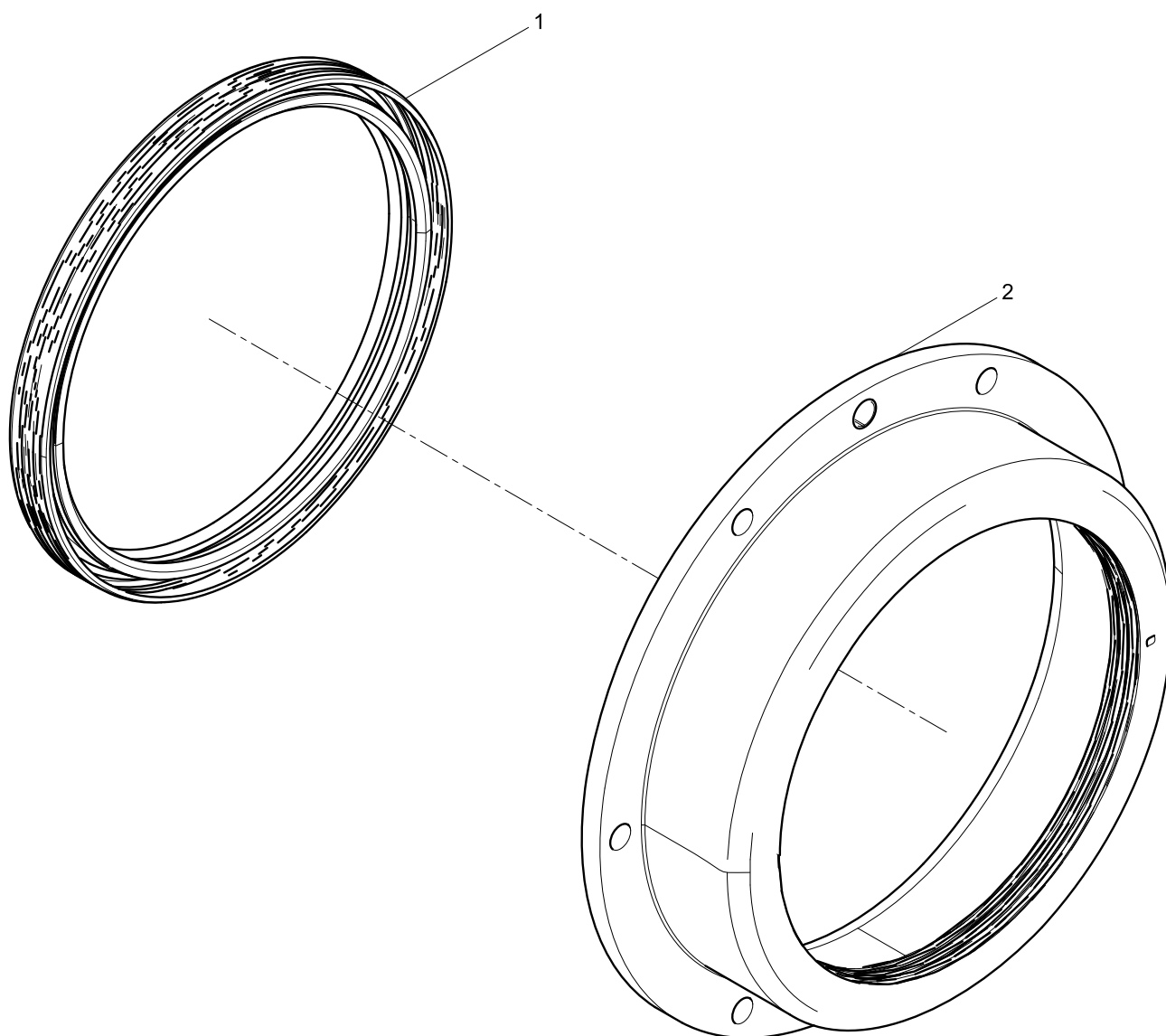
Flywheel Housing Group



Flywheel Housing Group

Pos.	Teile.Number	Amount	Designation
1	90003802312	4	Hexagon Head Bolt
2	X6253.008	2	Cover
3	90013050051	4	Inner Hexagon Socket Head Cap Screw
4	X6253.006	2	Indicator
5	330201000426	6	Bowl Plug
6	1000196570	14	Hexagon Flange Bolt
7	90003802443	6	Hexagon Head Bolt
8	15510450K	1	Rear Oil Seal Group
9	14011250V	1	Hexagon Screw Plug
10	1001359351	1	Flywheel Housing
11	90019230003	2	Grooved Pin
12	90011420007	3	Hexagon Flange Bolt
13	13601570Q	1	Cover
14	X6231.150W	1	Sensor Seat
15	90011350026	4	Hexagon Head Bolt
16	330201000206	2	Cover
17	13533370K	2	Turbocharger Oil Pipe Gasket

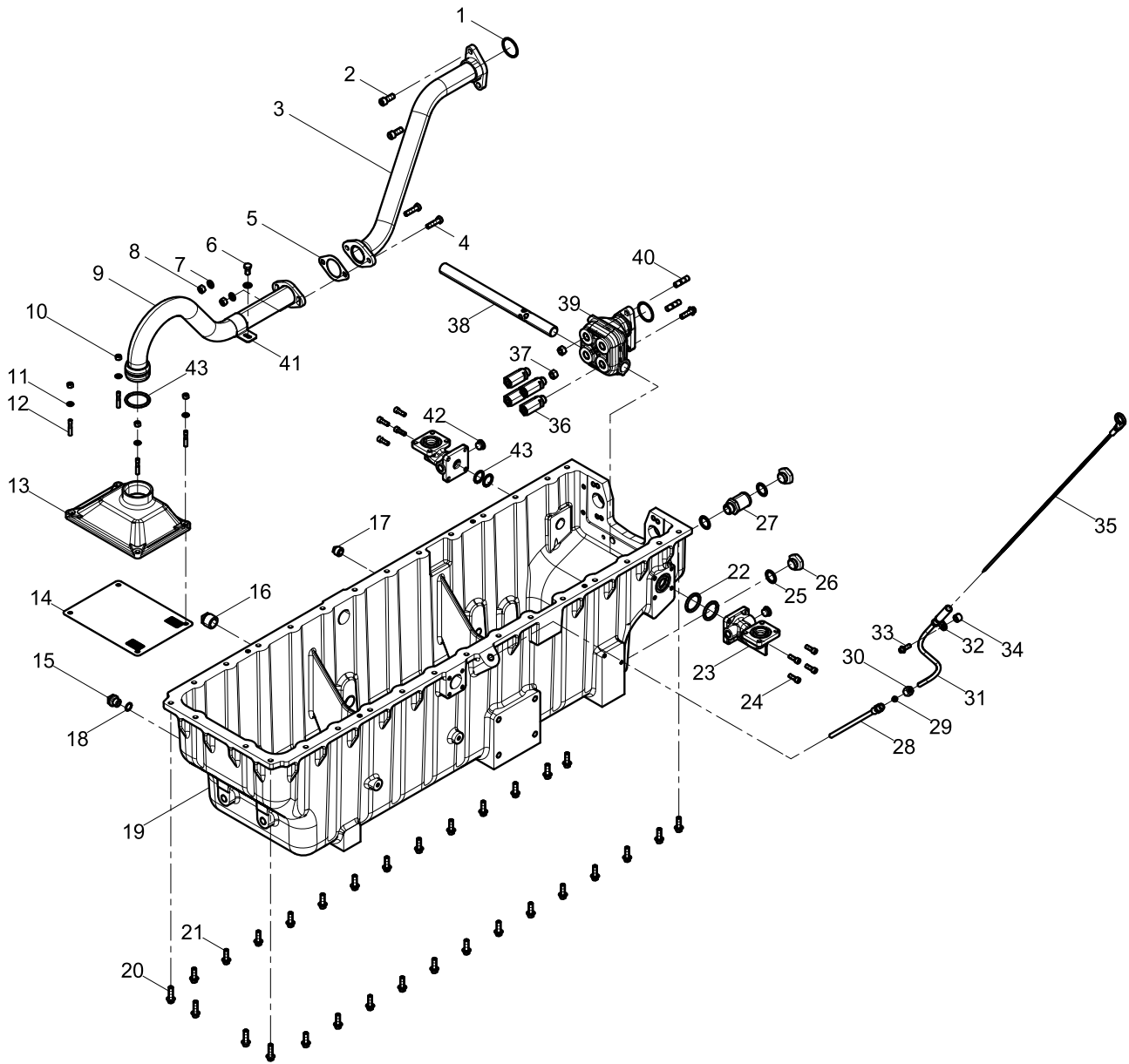
Rear Oil Seal Group



Rear Oil Seal Group

Pos.	Teile.Number	Amount	Designation
1	13505601B	1	Rear Oil Seal
2	15010850R	1	Rear Oil Seal Seat

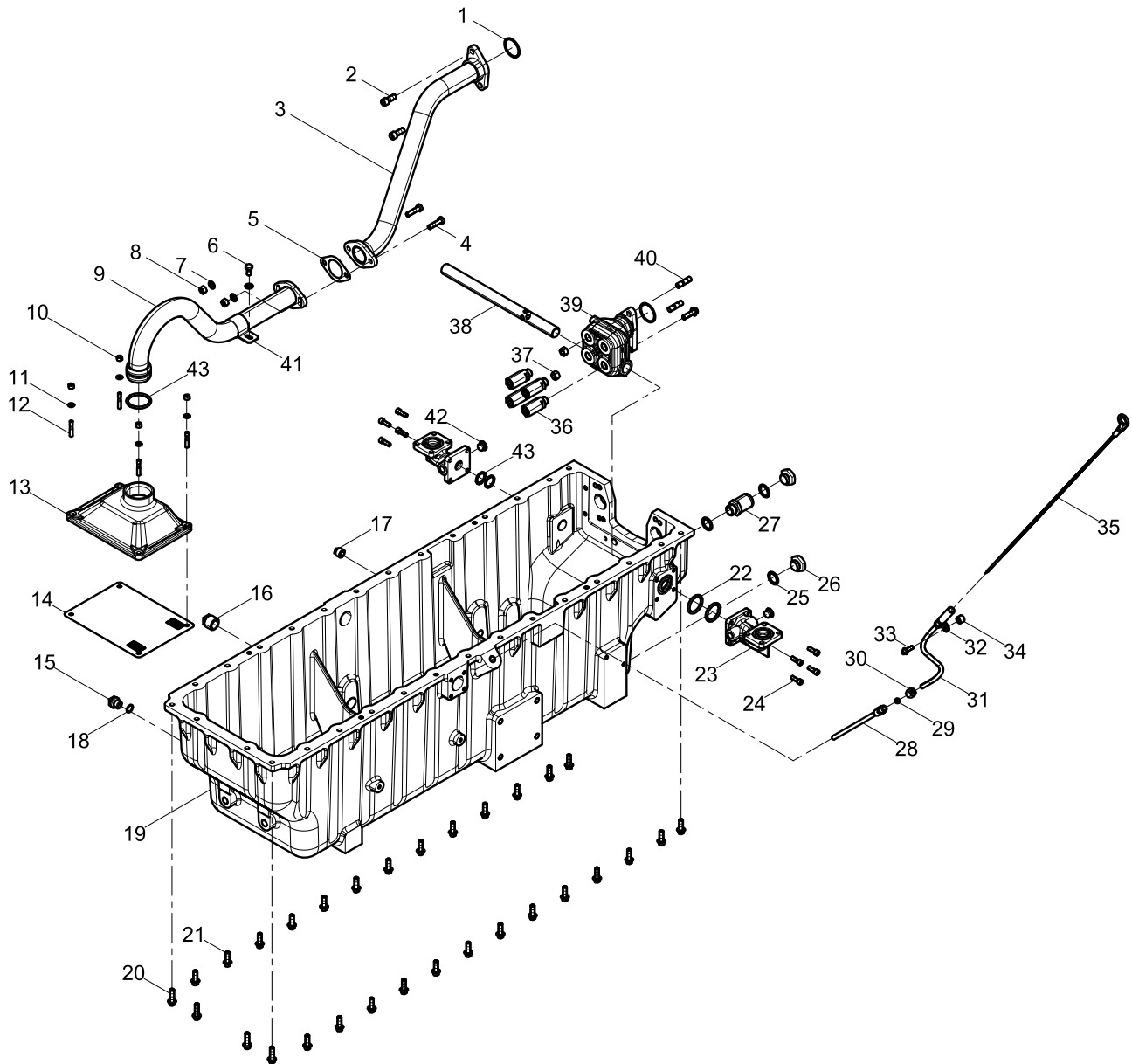
Oil Pan Group



Oil Pan Group

Pos.	Teile.Number	Amount	Designation
1	1001871557	2	O-ring
2	77754400C	2	Bolt
3	15012260Z	1	Pipe
4	90003802536	2	Hexagon Head Bolt
5	13516260M	1	Gasket
6	90011270110	1	Hexagon head bolt
7	90003930271	3	Plain Washer
8	90012390002	2	Prevailing Torque Type All-metal Hexagon Nut,
9	15012270K	1	Lube Oil Pump Oil-inlet Pipe
10	90012390003	4	Prevailing Torque Type All-metal Hexagon Nut,
11	90014040007	4	Plain Washer
12	90011640002	4	Double End Stud
13	15012060G	1	Suction Strainer Bonnet
14	15012050W	1	Suction Strainer Filter
15	1001675559	1	Hexagon Screw Plug
16	13036173	1	Screw Plug
17	13022827	1	Screw Plug
18	1001063382	1	Assembled Sealing Washer
19	1001462178	1	Oil Pan
20	90011420014	5	Hexagon Flange Bolt
21	90011420002	26	Hexagon Flange Bolt
22	90017510021	2	O-ring
23	15041480K	2	Pipe Joint
24	90013050036	8	Inner Hexagon Socket Head Cap Screw
25	612600040650	3	Assembled Sealing Washer
26	1000087658	2	Hexagon Screw Plug
27	1001443190	1	Pipe

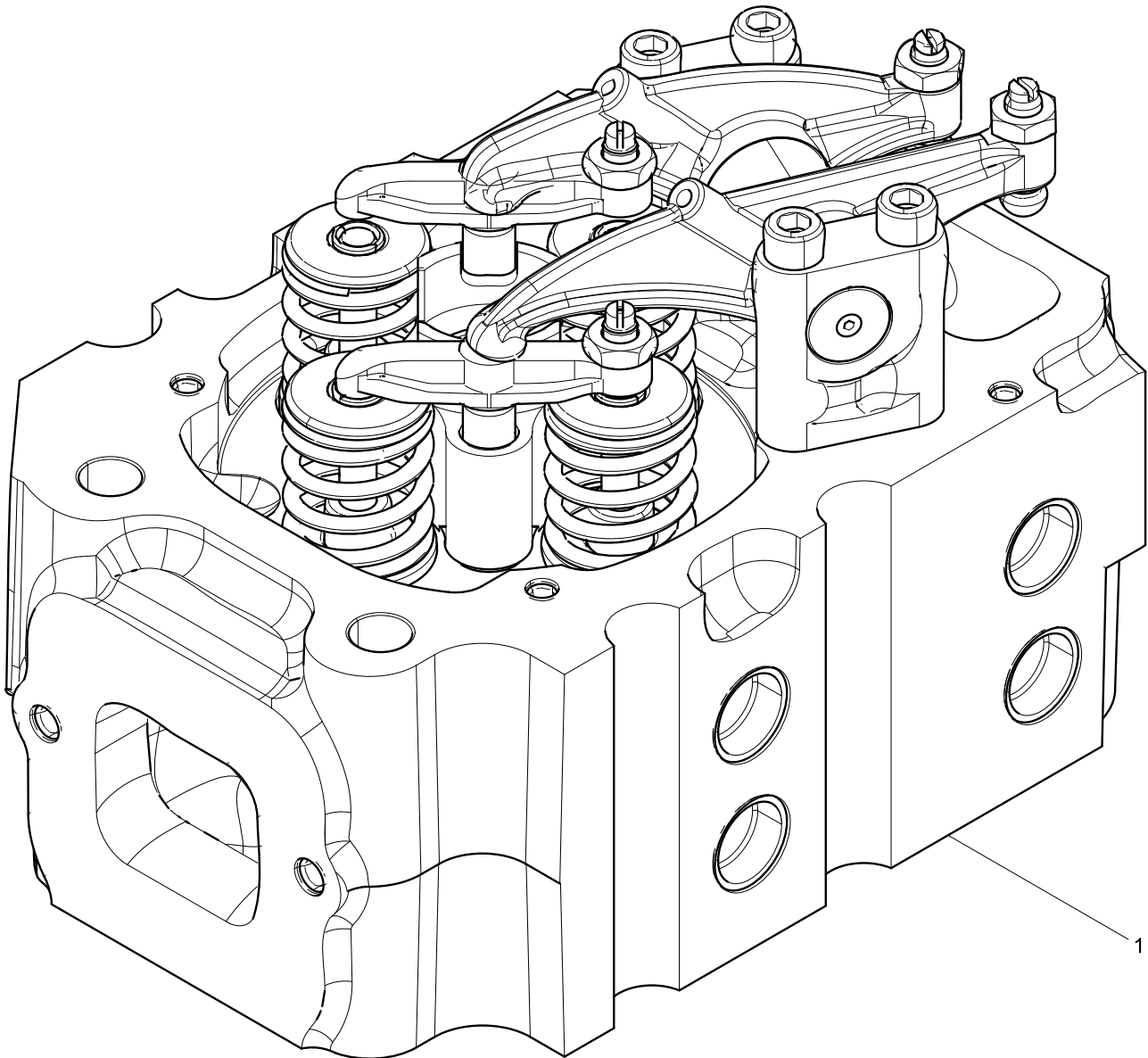
Oil Pan Group



Oil Pan Group

Pos.	Teile.Number	Amount	Designation
28	X6276.310	1	Dipstick Pipe Below Set
29	11216370G	1	Washer
30	11216360W	1	Screw cap
31	1001498912	1	Dipstick Pipe Upper Set
32	330301000543	1	Pipe Clamp Assembly
33	9000000286	1	Hexagon Flange Bolt
34	1001498936	1	Dipstick
35	1001016500	4	Oil Pump Pressure Limiting Valve
36	90003871344	2	Hexagon Nuts, Style 1
37	13614230B	1	Pipe
38	1001008989	1	Supporting Seat
39	90011520045	2	Double End Stud
40	15040010M	1	Clamp
41	1001757684	2	Hexagon Taper Screw Plug
42	90017550016	1	O-Ring
43	90017550018	2	O-ring

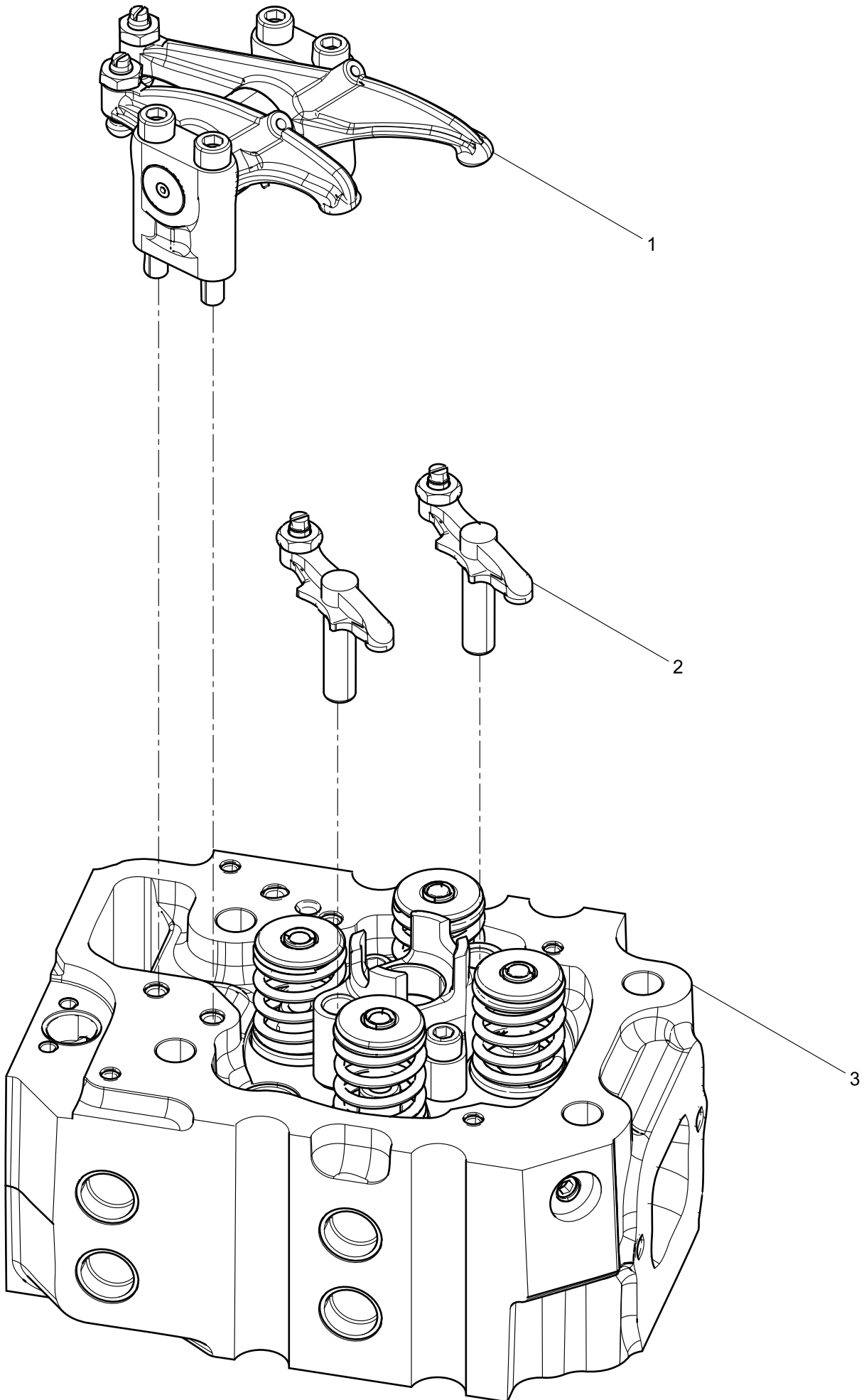
Cylinder Head Group



Cylinder Head Group

Pos.	Teile.Number	Amount	Designation
1	330250000052	1	Cylinder head set

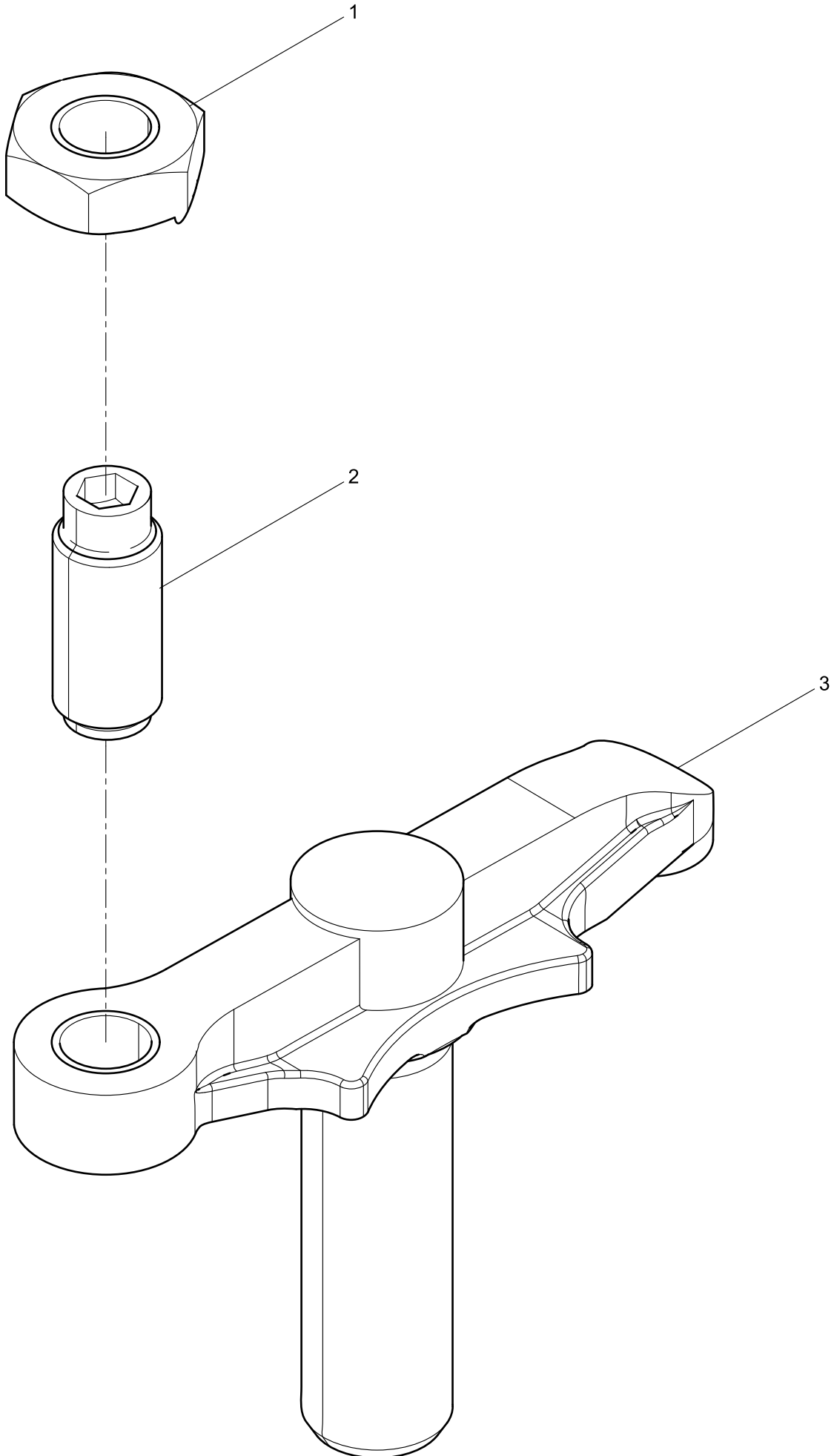
Cylinder head set



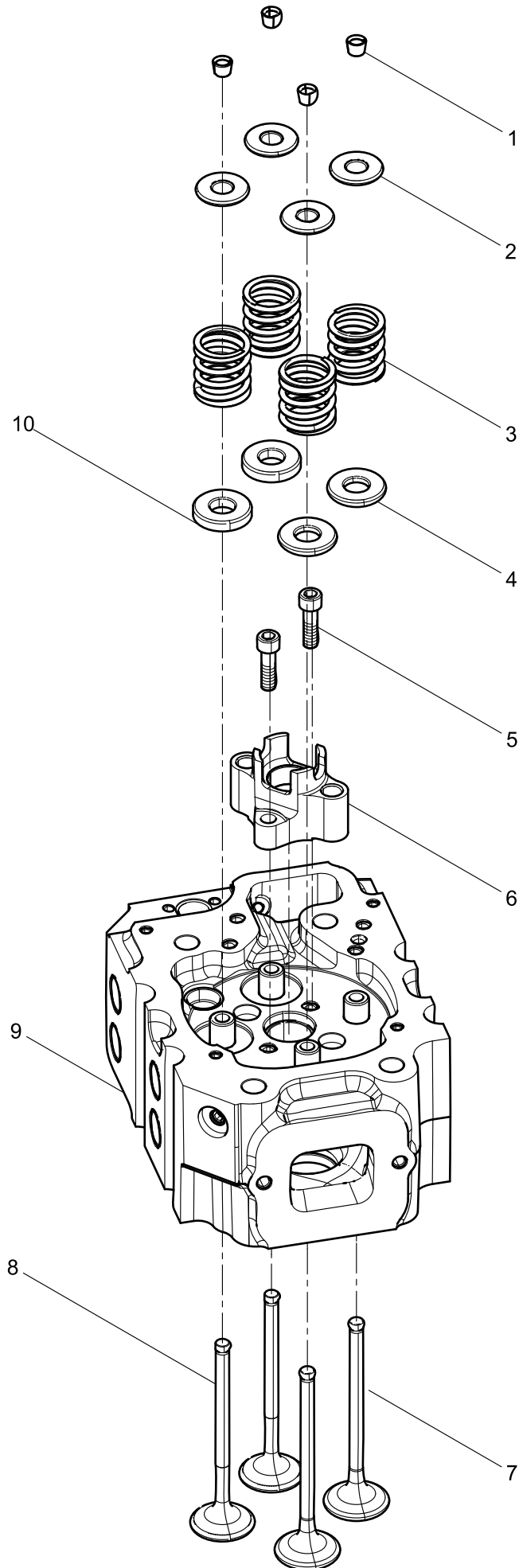
Cylinder head set

Pos.	Teile.Number	Amount	Designation
1	330202000130	1	Rocker Arm Set
2	13583540S	2	Valve Bridge Assembly
3	330250000053	1	Cylinder Head Assembly

Valve Bridge Assembly



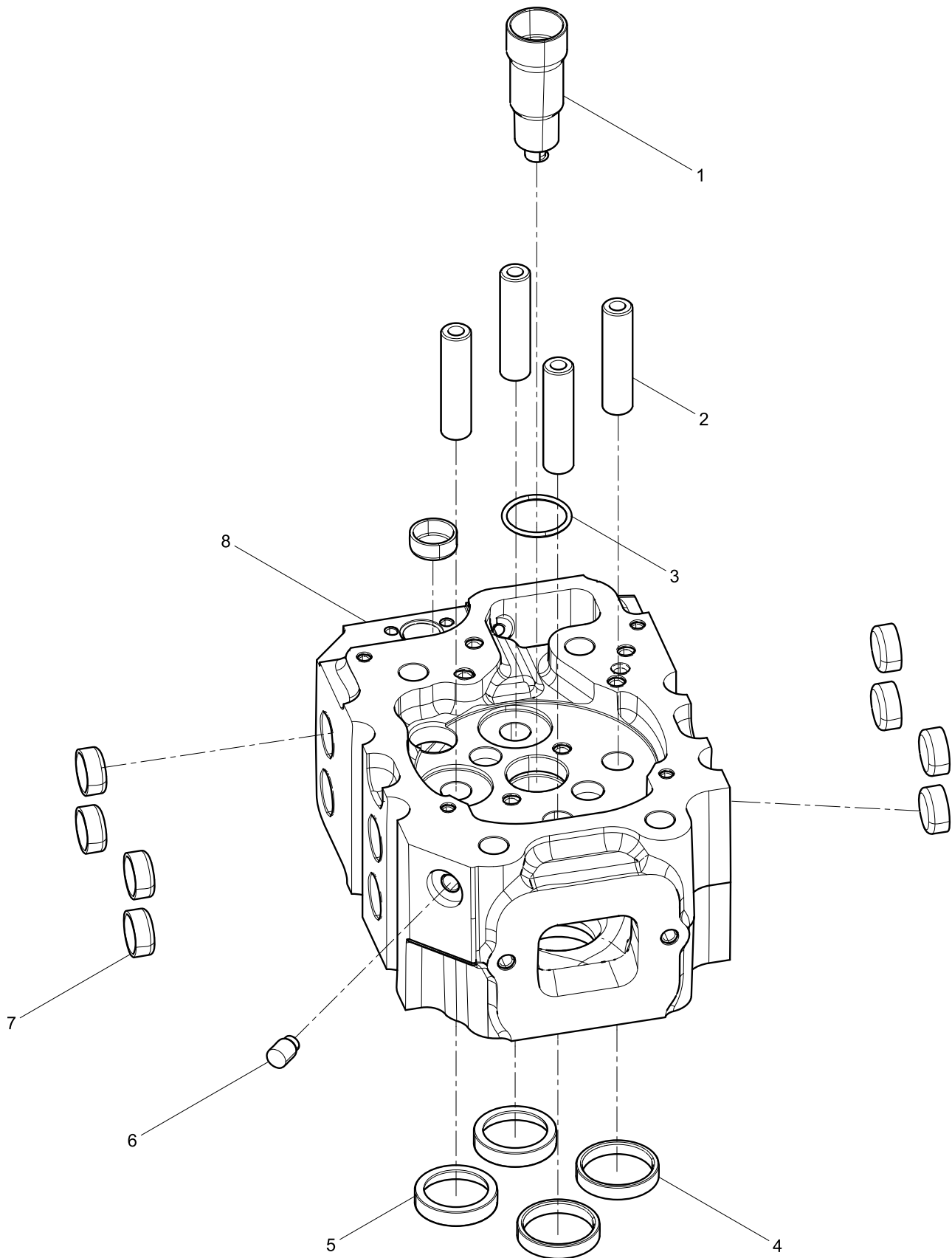
Cylinder Head Assembly



Cylinder Head Assembly

Pos.	Teile.Number	Amount	Designation
1	331002000360	8	Valve Collet
2	15012610E	4	Valve Spring Top Retainer
3	15012720Z	4	Valve Spring
4	X6231.178W	2	Intake Valve Spring Bottom Retainer
5	77753190M	2	
6	15010330B	1	Valve Bridge Seat
7	1001422198	2	Intake Valve
8	1001426081	2	Exhaust Valve
9	330201000172	1	Cylinder Head Subassembly
10	X6231.179W	2	Exhaust Valve Spring Bottom Retainer

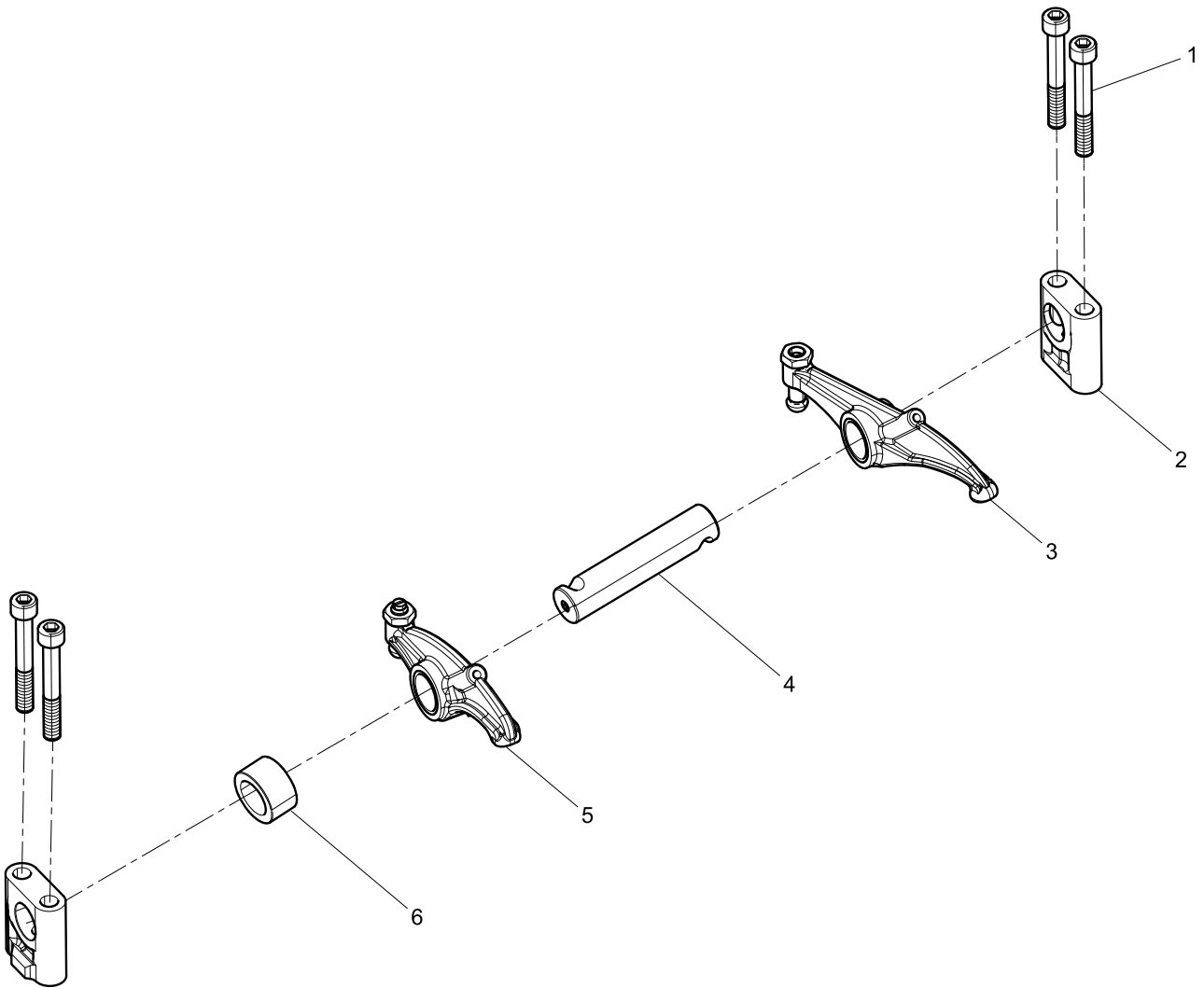
Cylinder Head Subassembly



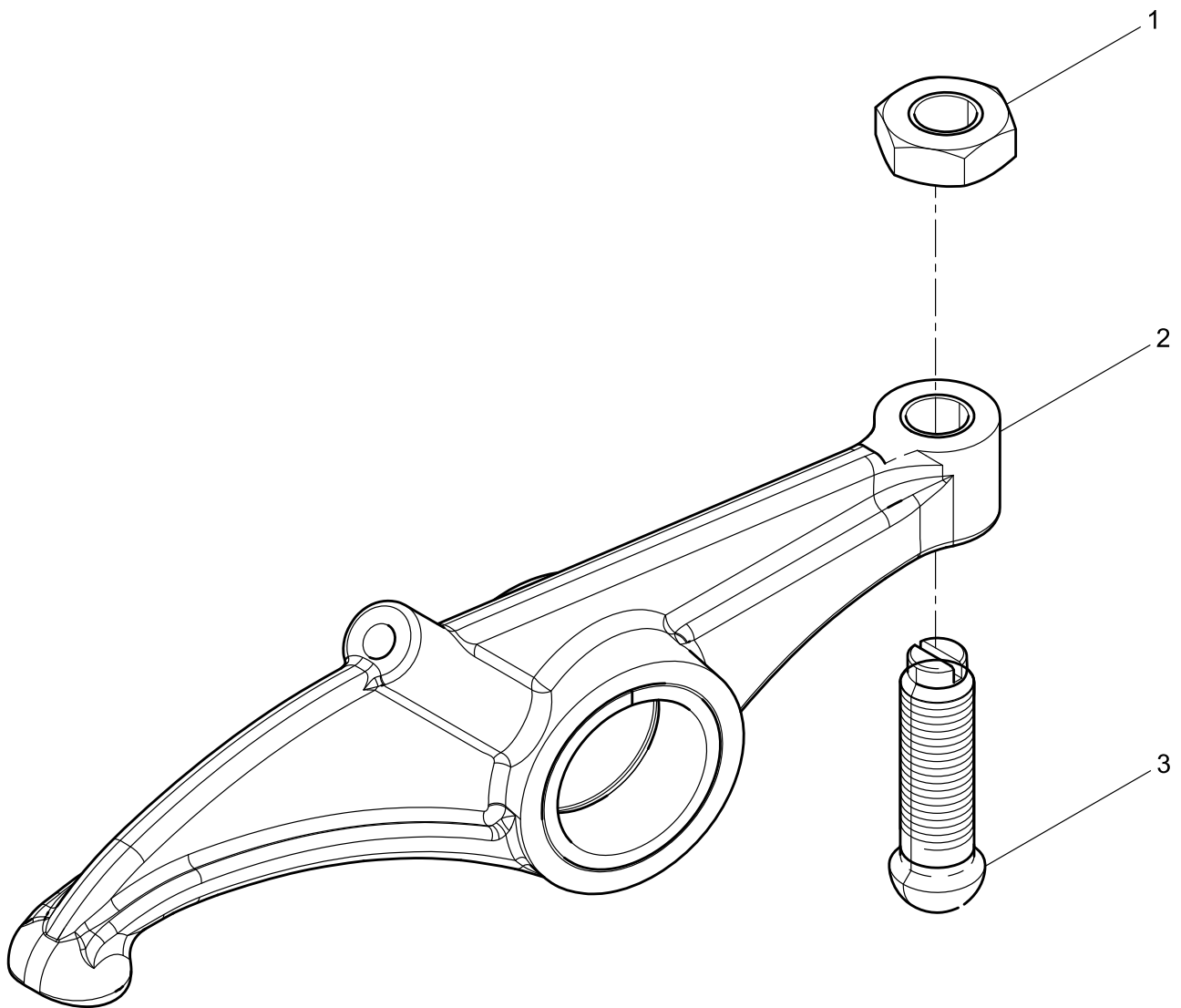
Cylinder Head Subassembly

Pos.	Teile.Number	Amount	Designation
1	15012730K	1	Injector Bush
2	W15011040Y	4	Valve Guide
3	77711170N	1	O-ring
4	1003611899	2	Intake Valve Seat
5	1003606139	2	Exhaust Valve Seat
6	610800010023	1	Pulling Rivet
7	331001000587	9	Bowl Plug
8	330201000163	1	Cylinder Head

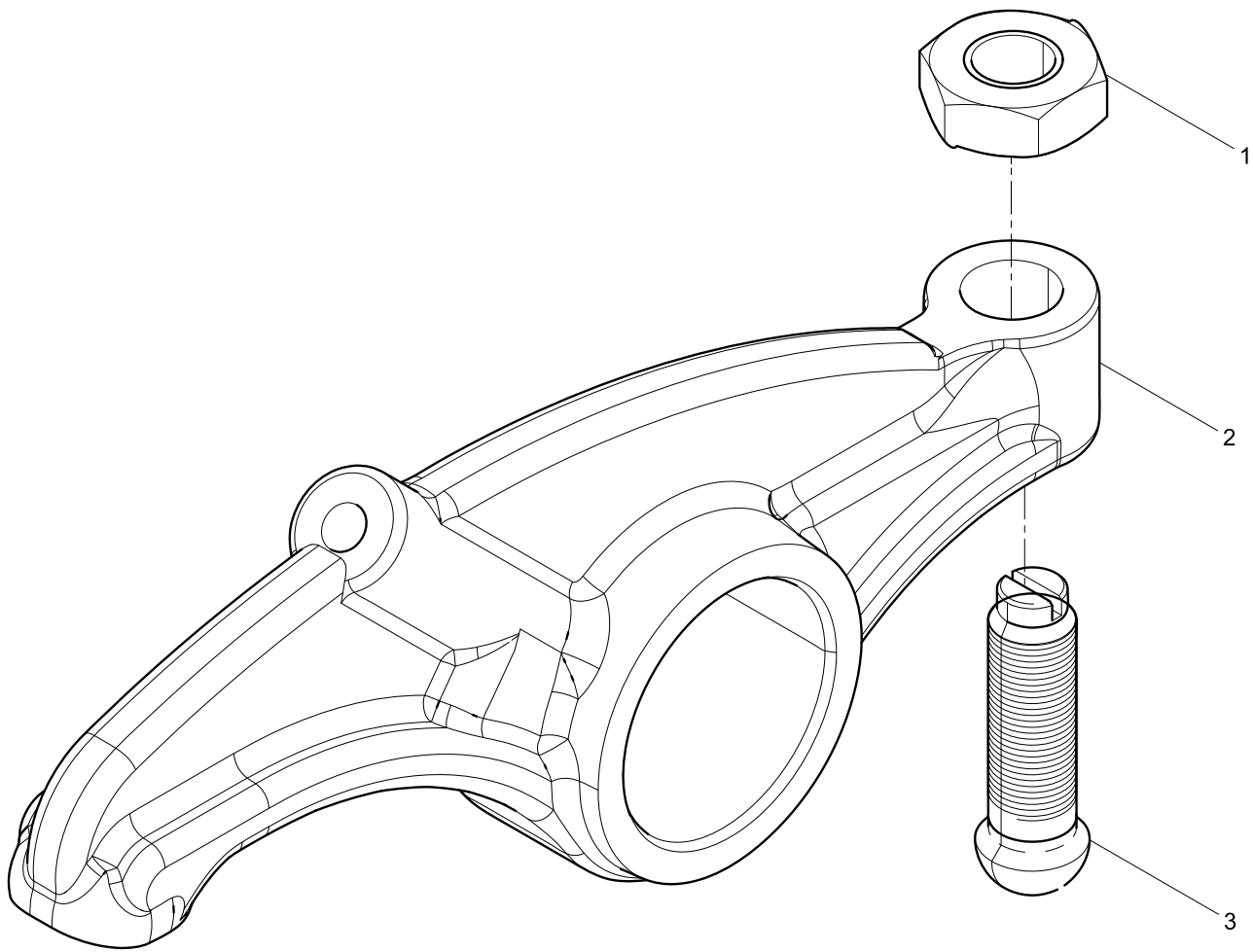
Rocker Arm Set



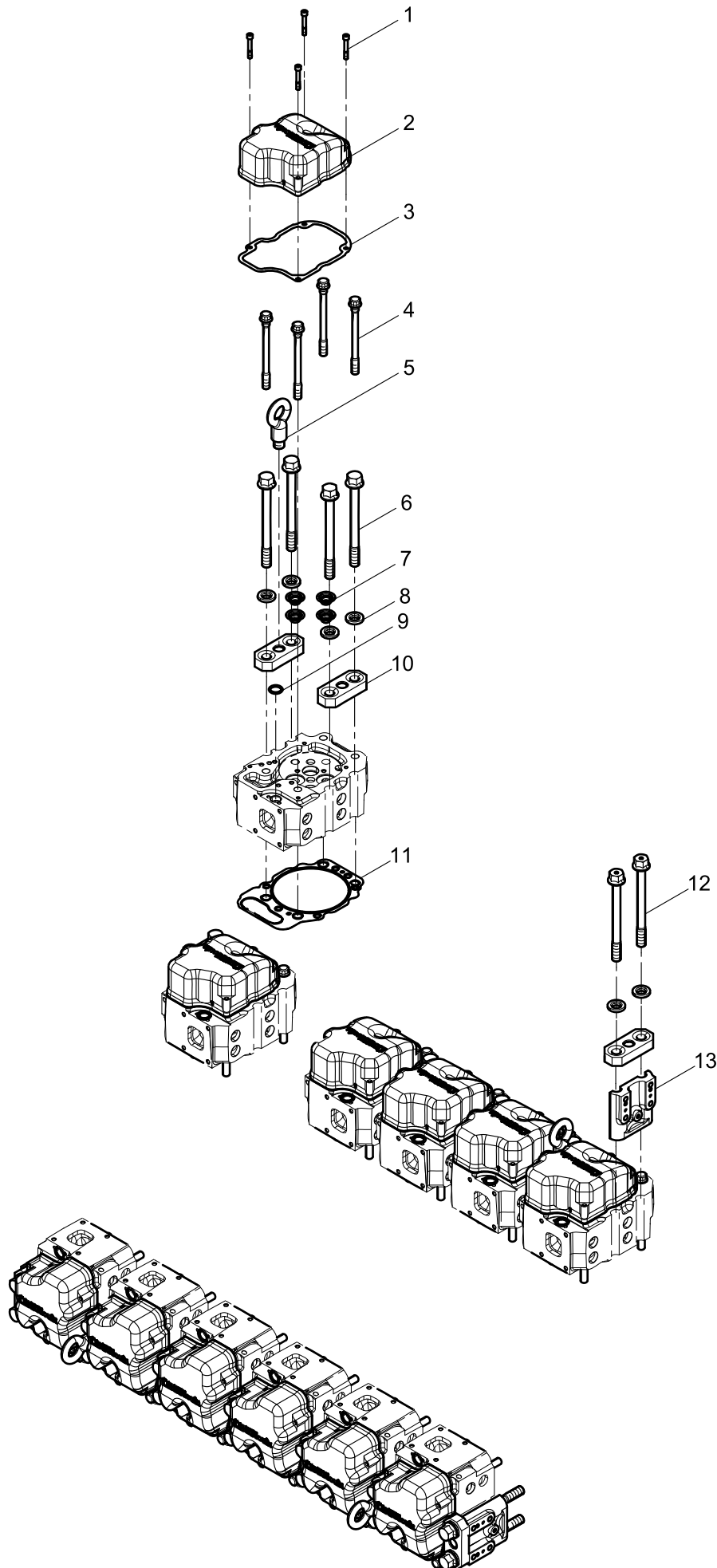
Intake Rocker Arm Assembly



Exhaust Rocker Arm Assembly



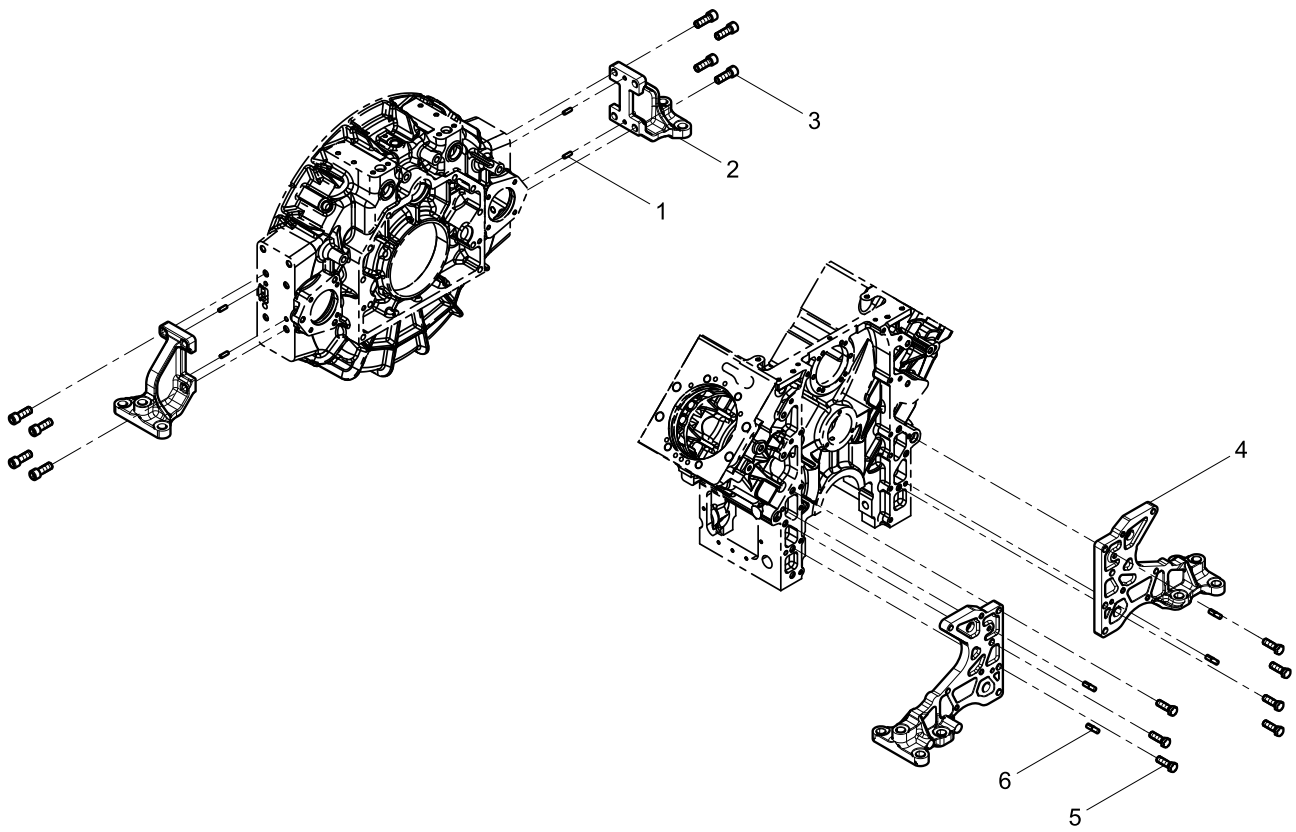
Cylinder Head Accessory Group



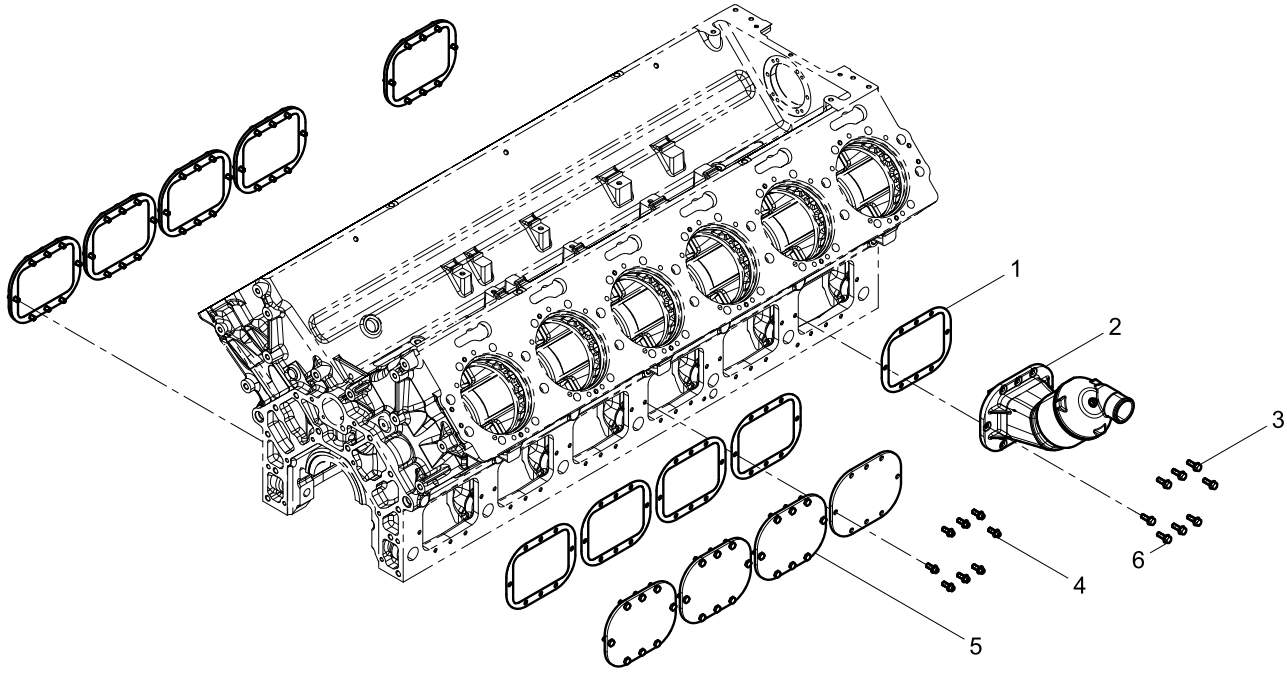
Cylinder Head Accessory Group

Pos.	Teile.Number	Amount	Designation
1	90003862456	48	Inner Hexagon Socket Head Cap Screw
2	15010361K	12	Cylinder Head Cover
3	330201000012	12	Cylinder Head Cover Gasket
4	1000997330	48	Cylinder Head Main Bolt
5	15010650Z	4	Engine Hanger Plate
6	1000986091	18	Secondary Blots of Cylinder Head
7	X6231.177W	48	Valve Stem Seal
8	15011620D	28	Washer
9	330201000147	12	O-ring
10	15012130H	14	Clamping Block
11	330301000530	12	Cylinder Head Gasket
12	1001179218	10	Secondary Blots of Cylinder Head
13	15010540E	4	Board

Bracket assembly



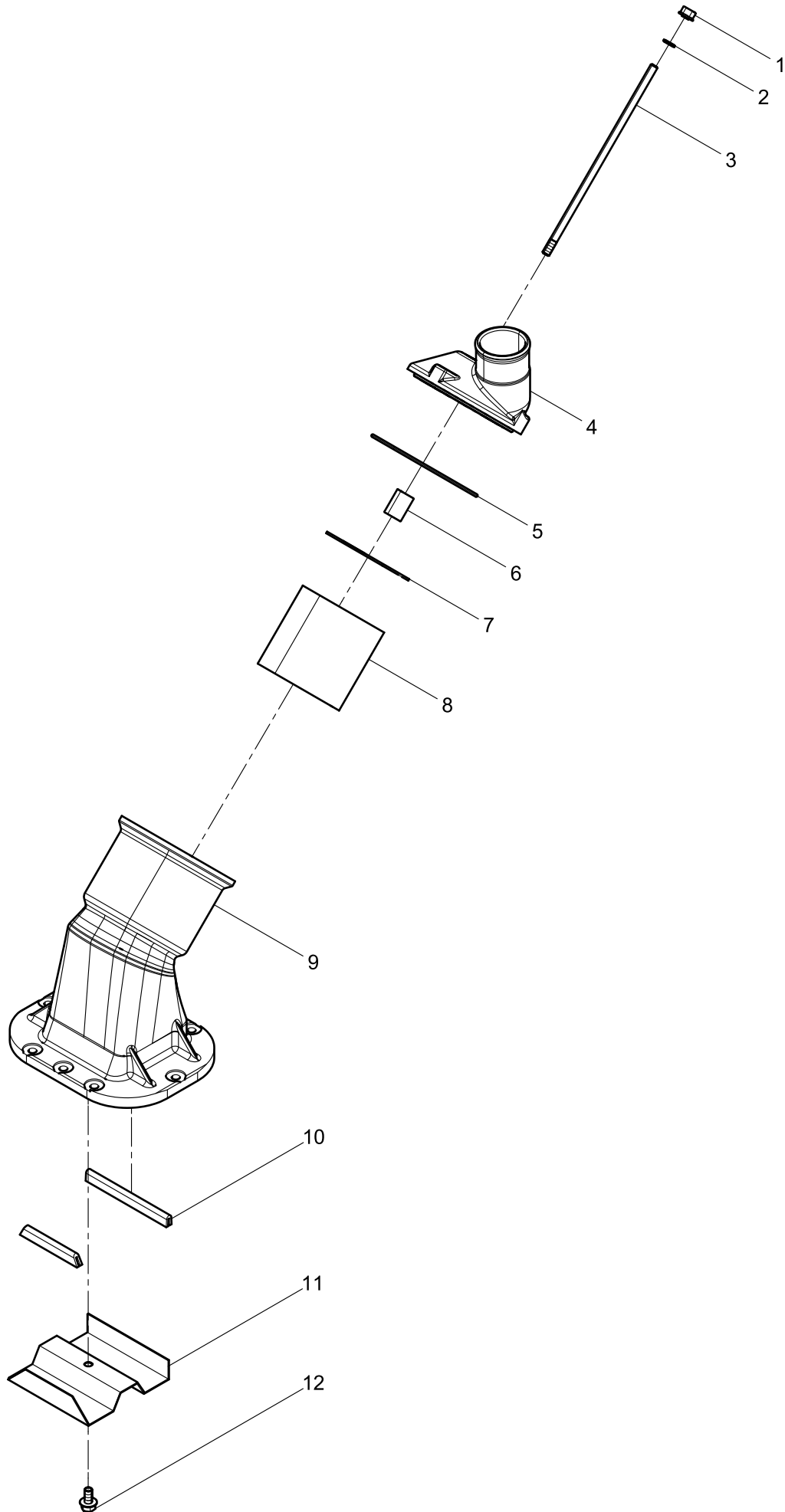
Oil-gas Separator Group



Oil-gas Separator Group

Pos.	Teile.Number	Amount	Designation
1	13501131S	10	Gasket
2	15510811C	1	Breather assembly
3	90011420022	63	Hexagon Flange Bolt
4	90011400058	8	Hexagon Flange Bolt
5	13501200S	8	Handhole Cover
6	9000000122	1	Hexagon Flange Bolt

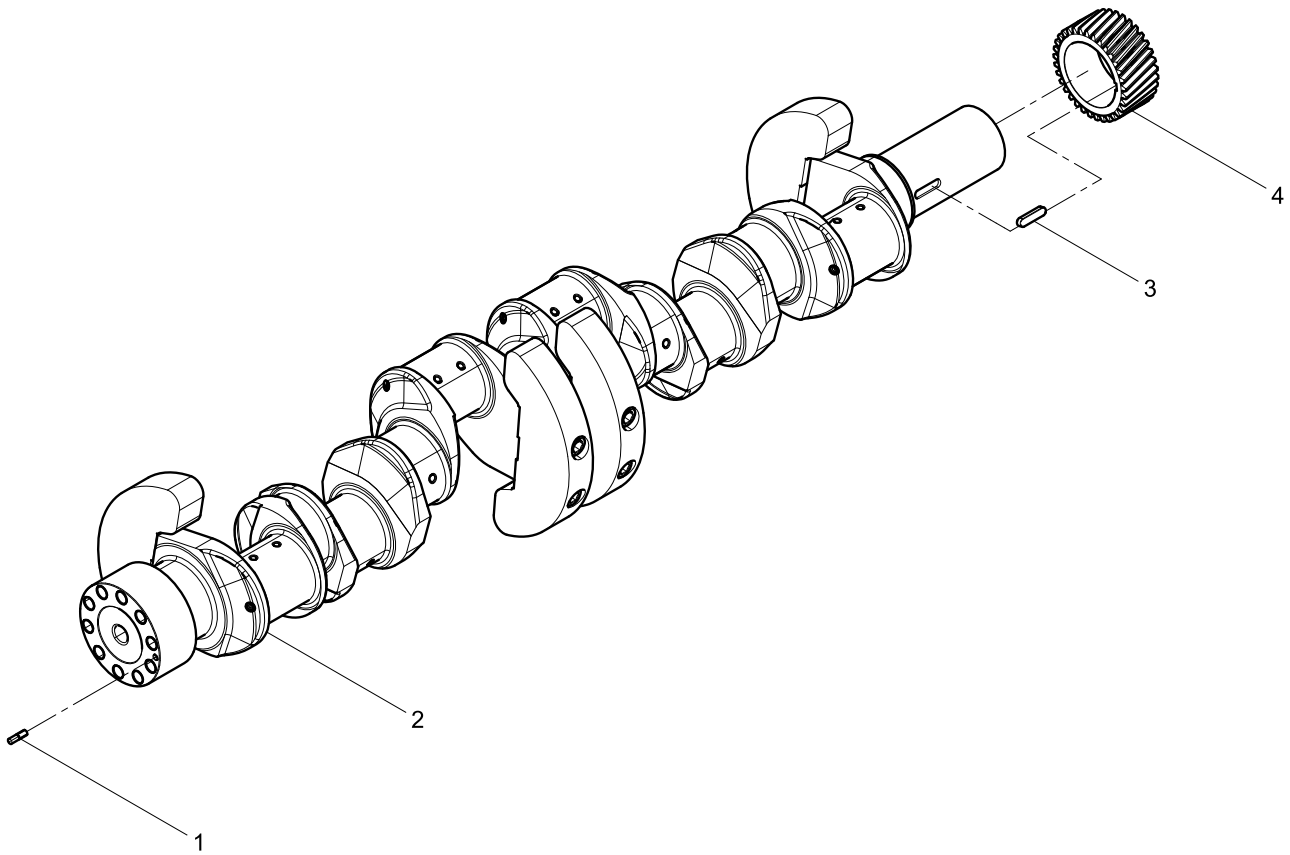
Breather assembly



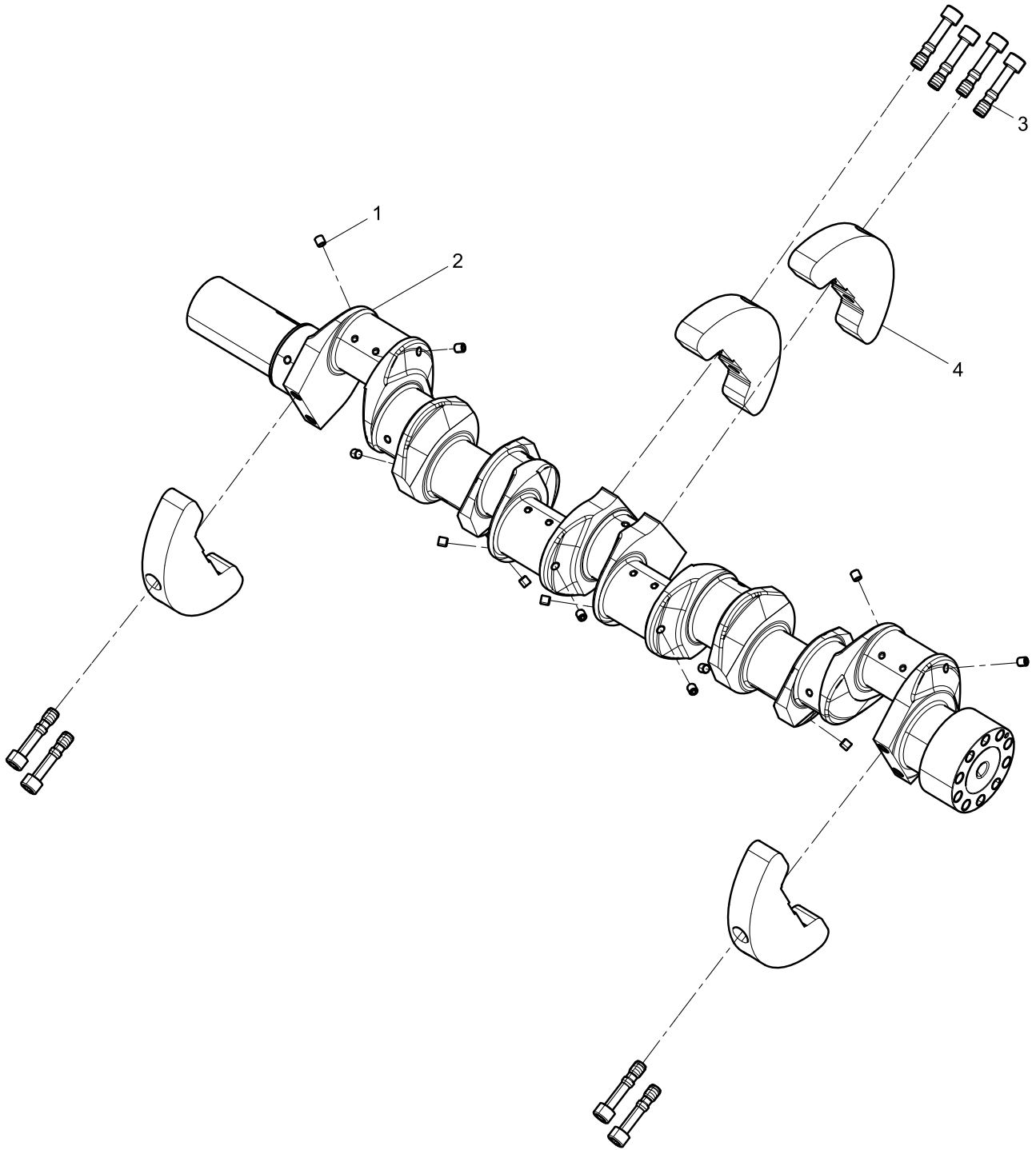
Breather assembly

Pos.	Teile.Number	Amount	Designation
1	90012420002	1	Prevailing Torque Type All-metal Hexagon Nut with Flange
2	612600080201	1	Washer
3	77771351C	1	
4	15012090P	1	Breather Cover
5	77711060T	1	O-ring
6	15012120X	1	Pad
7	15010730L	1	Plate
8	13502531P	1	Oil-gas Separator Element
9	15012081E	1	Breather Block
10	15010985N	1	Washer
11	15010740X	1	Separating Oil Board
12	9000000286	1	Hexagon Flange Bolt

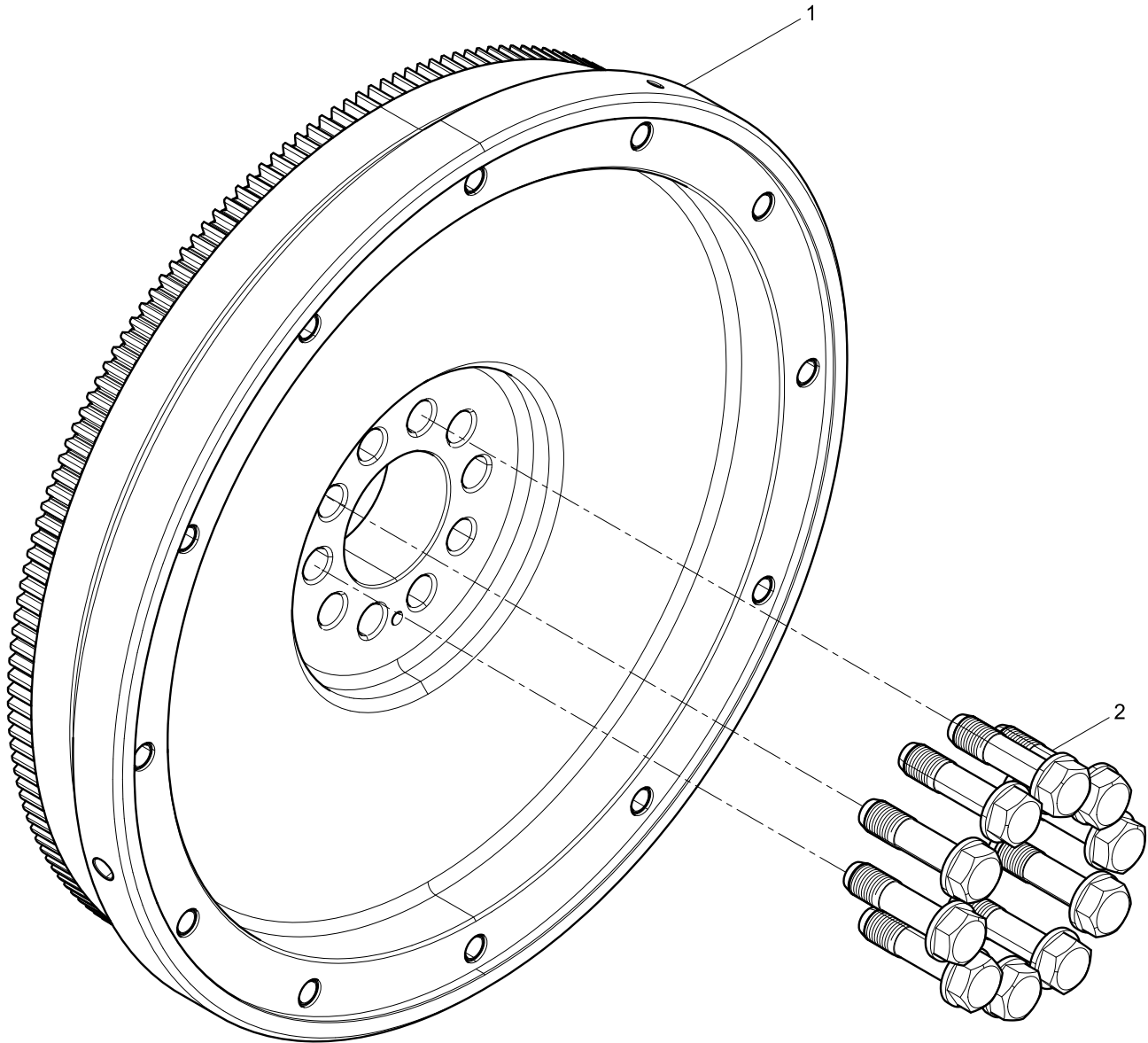
Crankshaft Group



Crankshaft Assembly



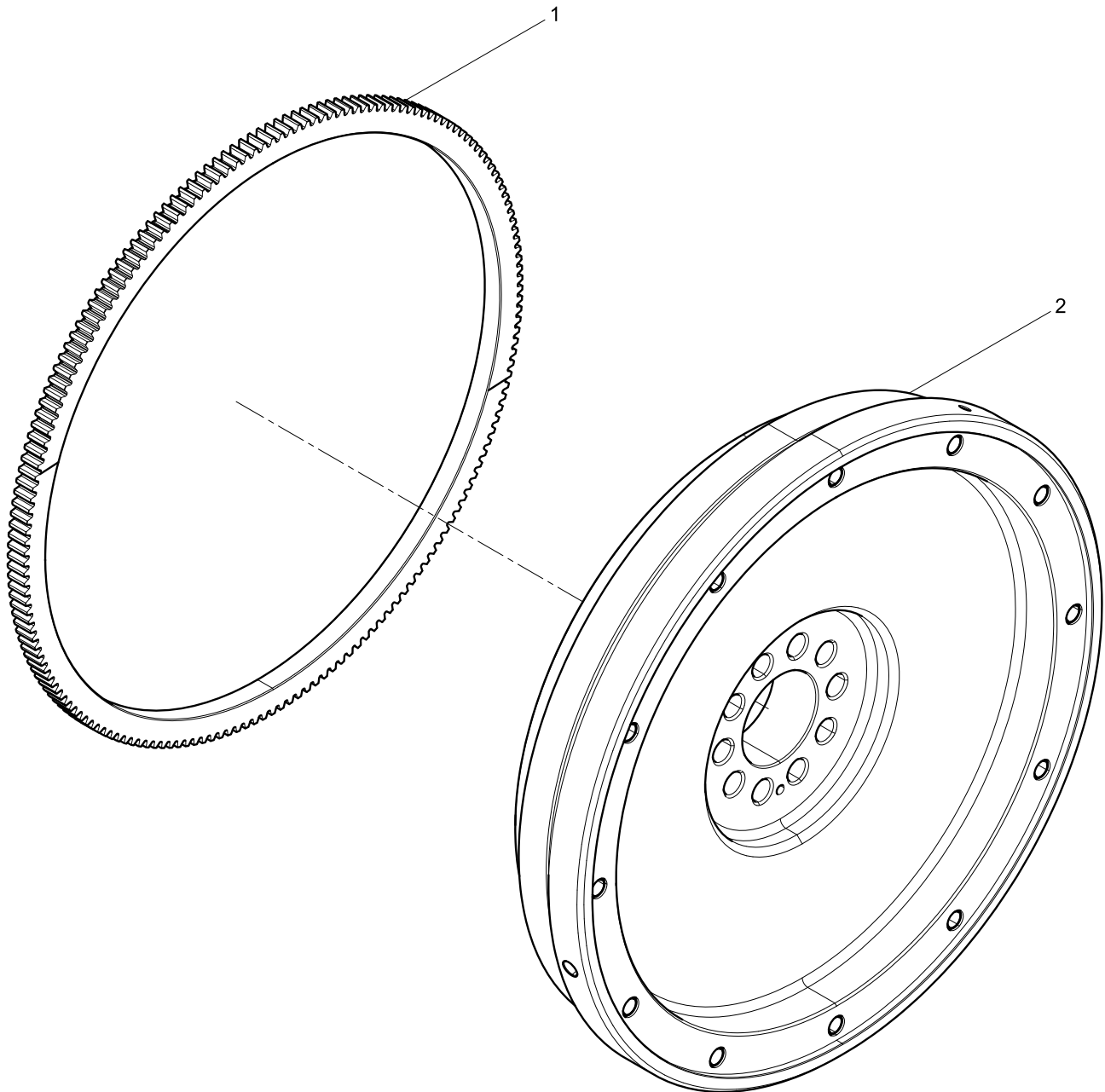
Flywheel Group



Flywheel Group

Pos.	Teile.Number	Amount	Designation
1	15520410L	1	Flywheel Assembly
2	330202000236	10	Flywheel Bolt

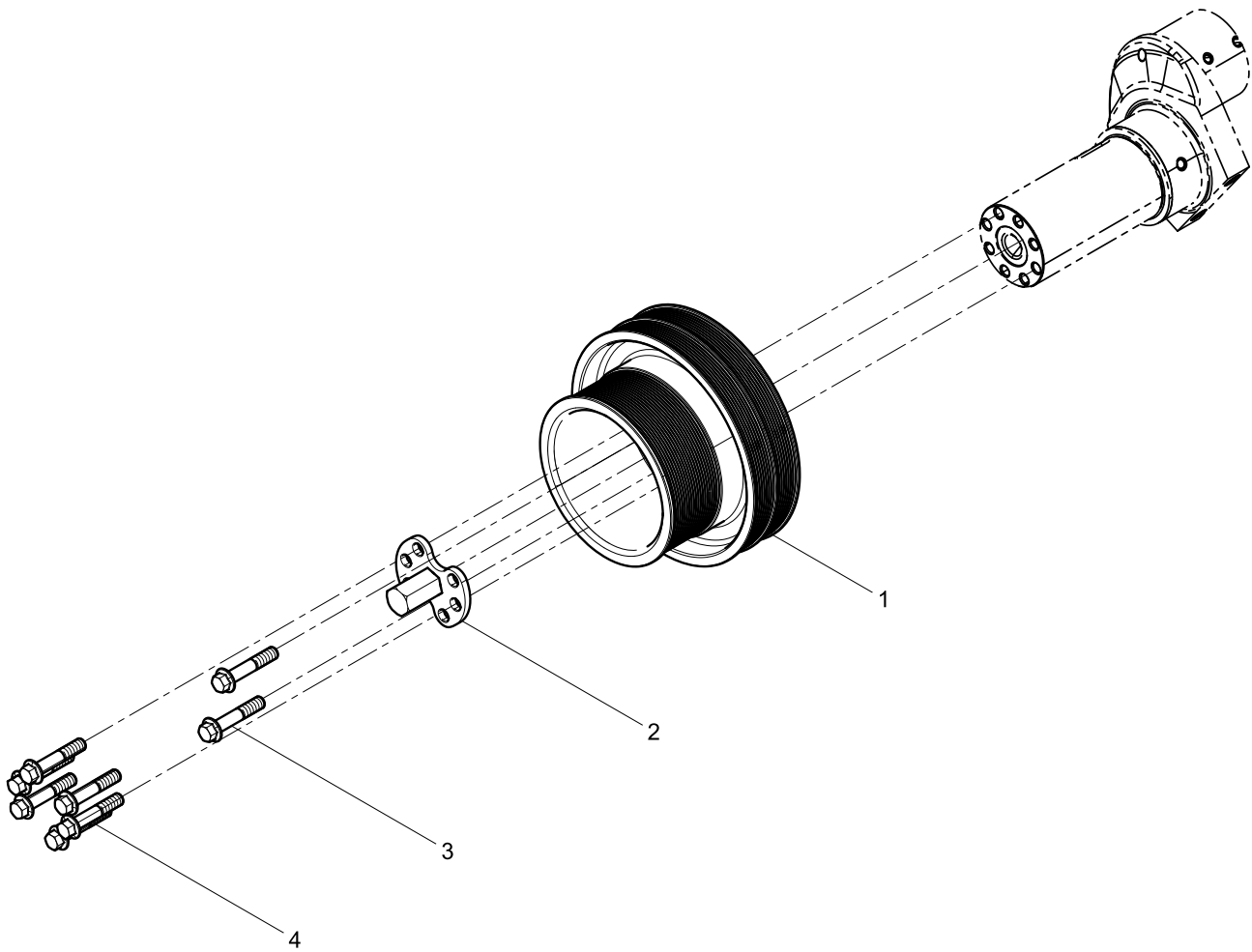
Flywheel Assembly



Flywheel Assembly

Pos.	Teile.Number	Amount	Designation
1	13625010T	1	Flywheel Ring Gear
2	X6253.007	1	Flywheel

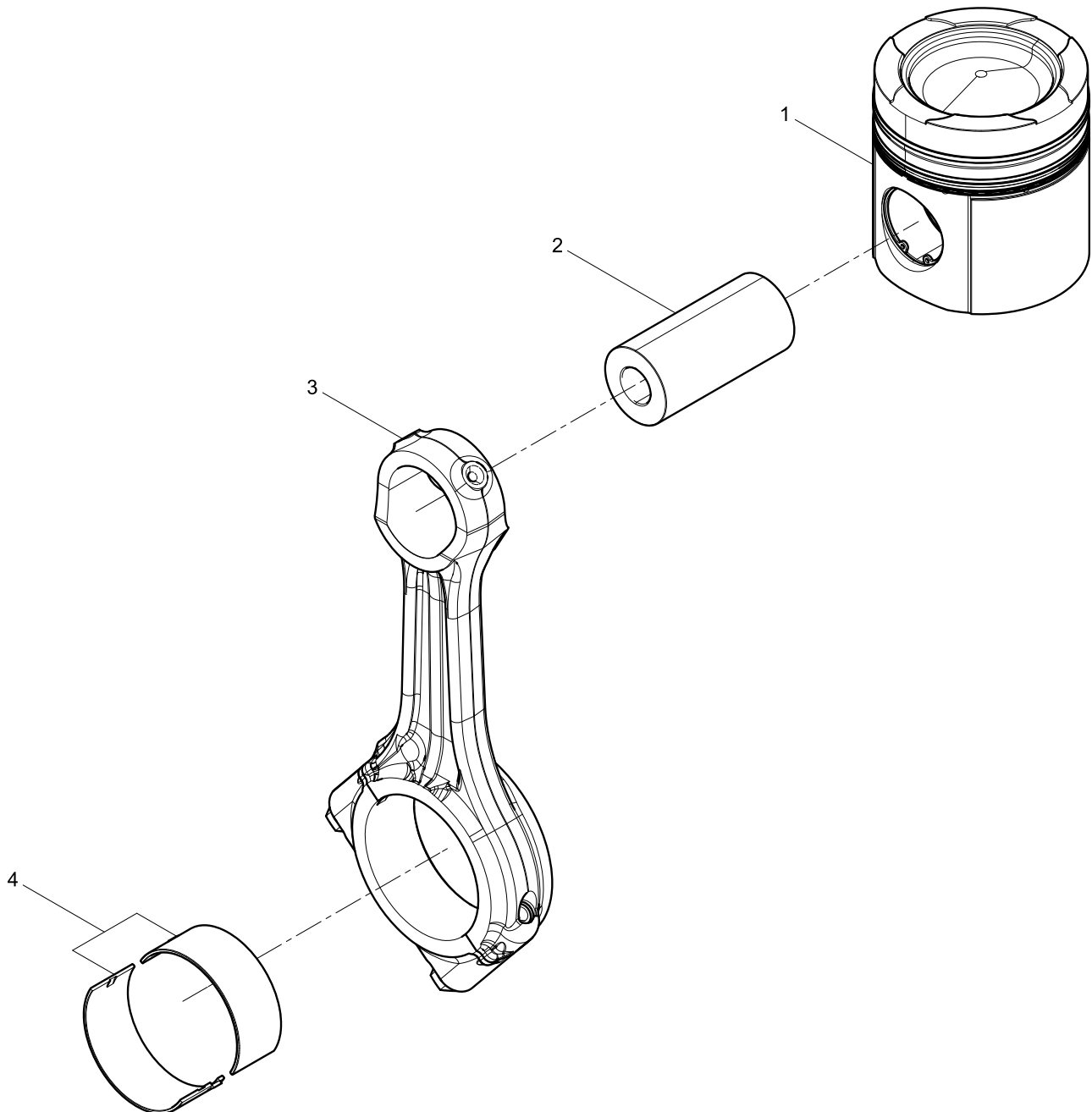
Crankshaft Pulley Group



Crankshaft Pulley Group

Pos.	Teile.Number	Amount	Designation
1	330202000140	1	Crankshaft Pulley
2	15120580N	1	Revolving device of pulley front end
3	330202000172	2	Hexagon Flange Bolt
4	330202000171	6	Hexagon Flange Bolt

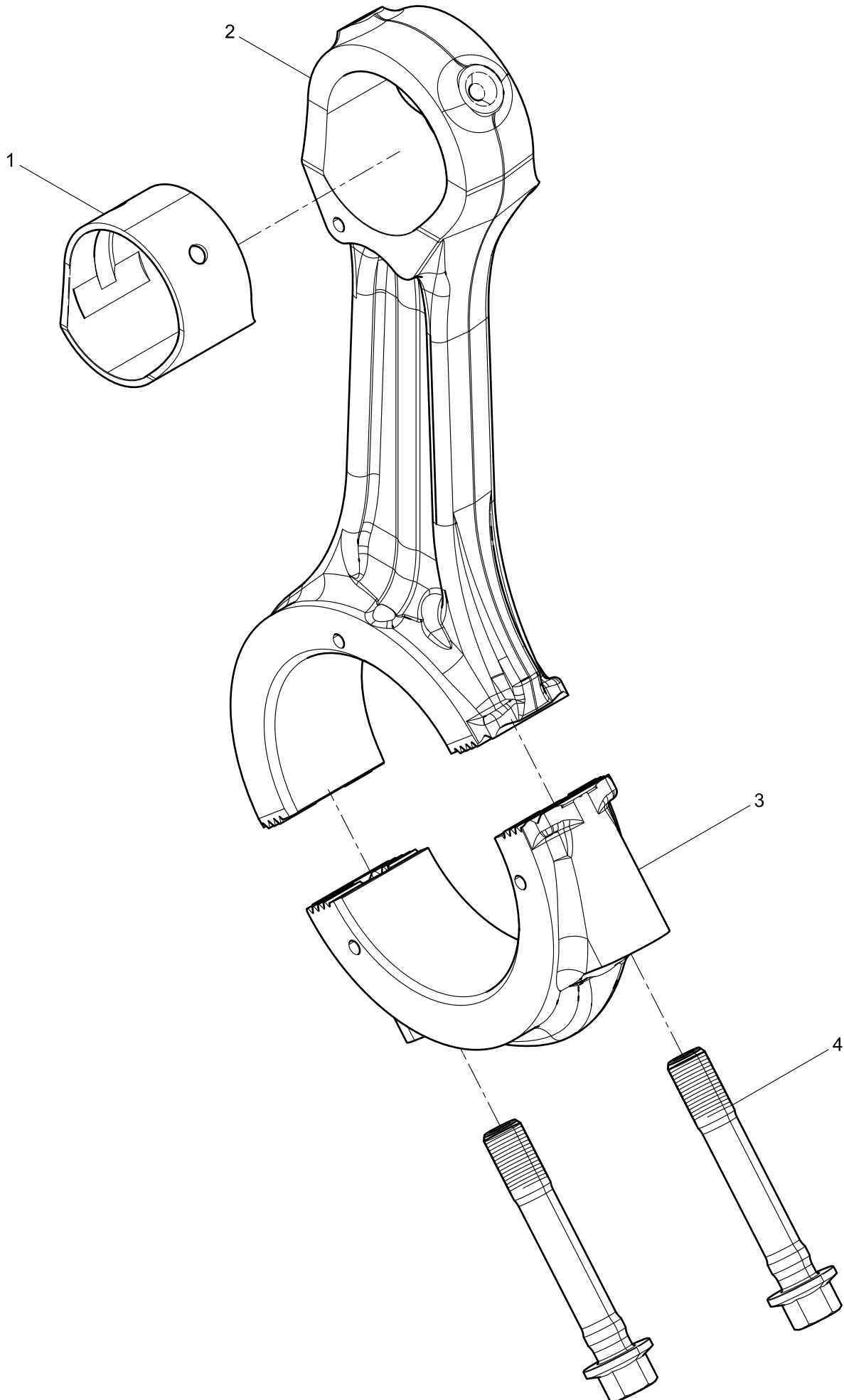
Piston and Connecting Rod Group



Piston and Connecting Rod Group

Pos.	Teile.Number	Amount	Designation
1	X6231.624W	1	Piston Assembly
2	331002000114	1	Piston Pin
3	1000646498	1	Connecting Rod Assembly
4	13506500D	2	Main Bearing Lower Shell

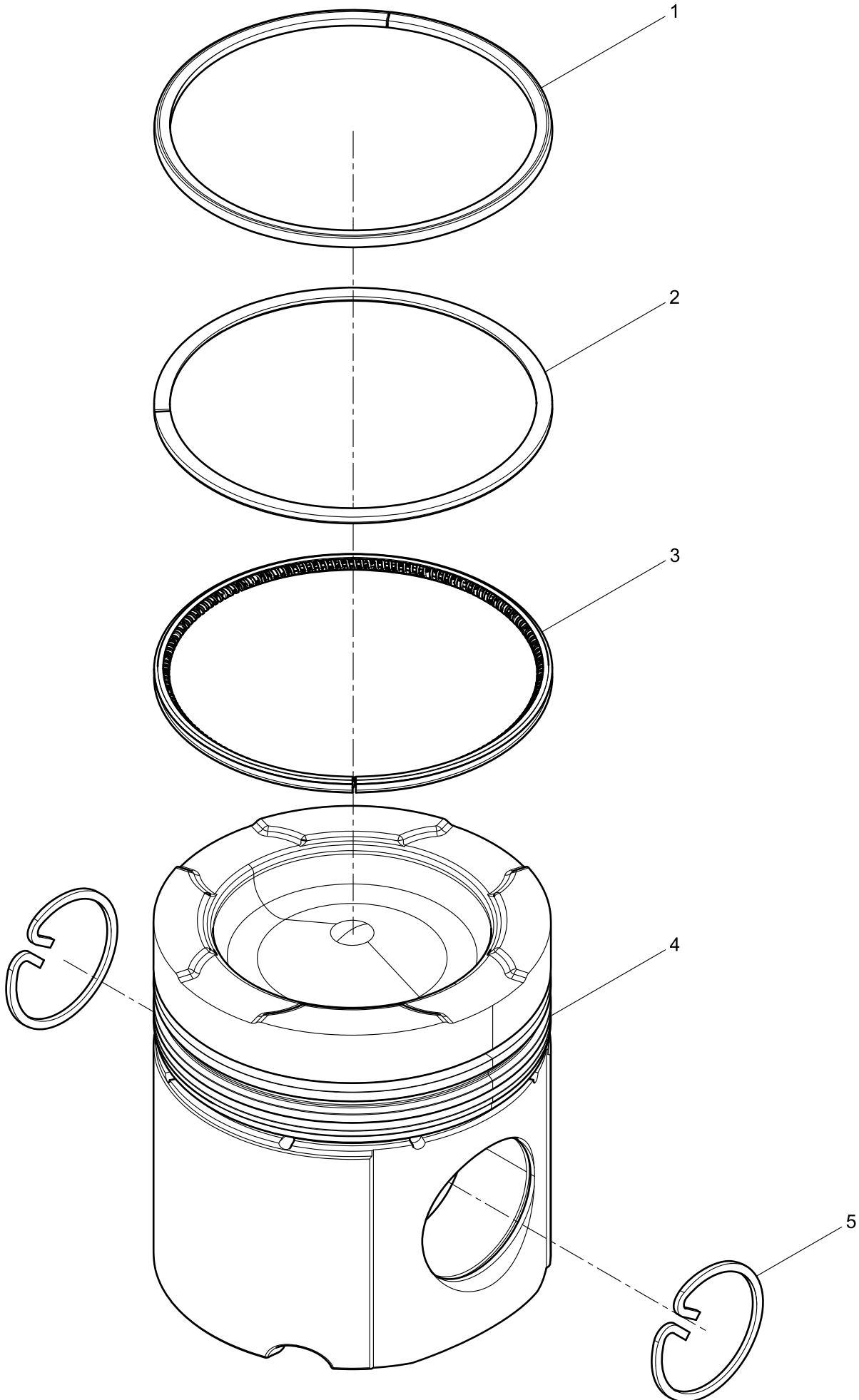
Connecting Rod Assembly



Connecting Rod Assembly

Pos.	Teile.Number	Amount	Designation
1	331002000012	1	Connecting Rod Bush
2	1000646473	1	Connecting Rod Body
3	1000646480	1	Connecting Rod Cover
4	1000618969	2	Connecting Rod Bolt

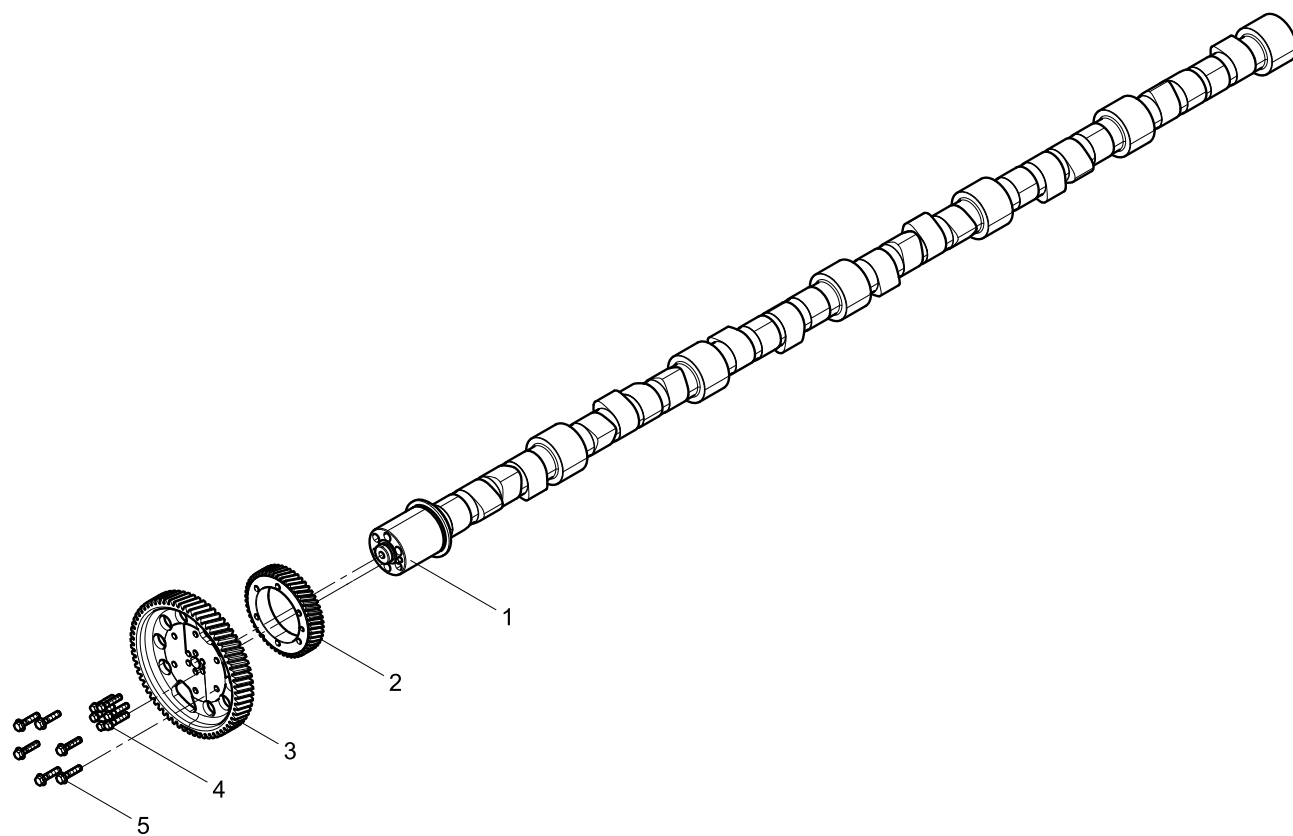
Piston Assembly



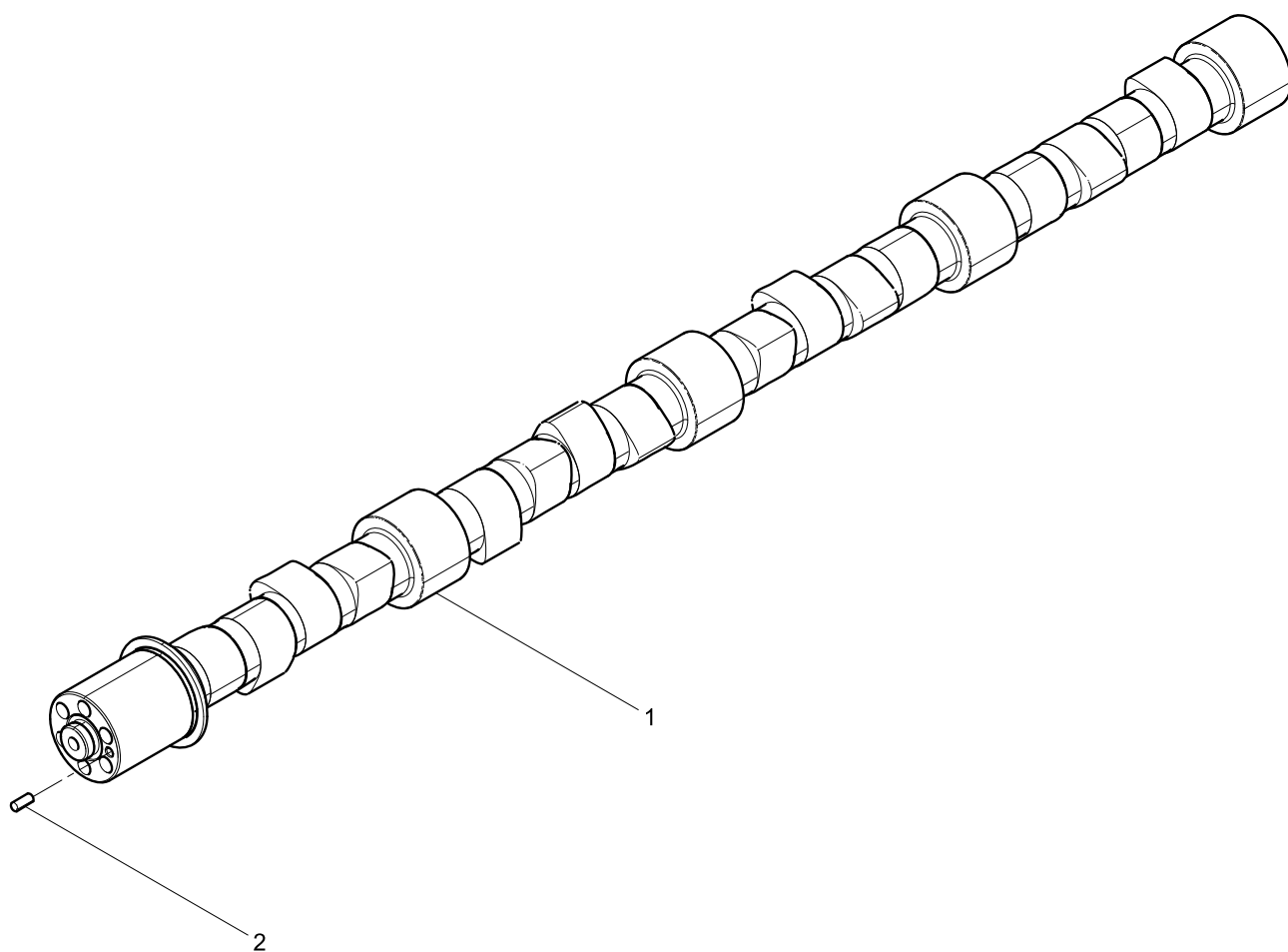
Piston Assembly

Pos.	Teile.Number	Amount	Designation
1	330202000183	1	Keystone Barrel Ring
2	330202000190	1	Twist Taper Ring
3	330202000205	1	Coil Spring Loaded Oil-control Ring
4	1000443147	1	Piston
5	1001162820	2	Piston Pin Retainer

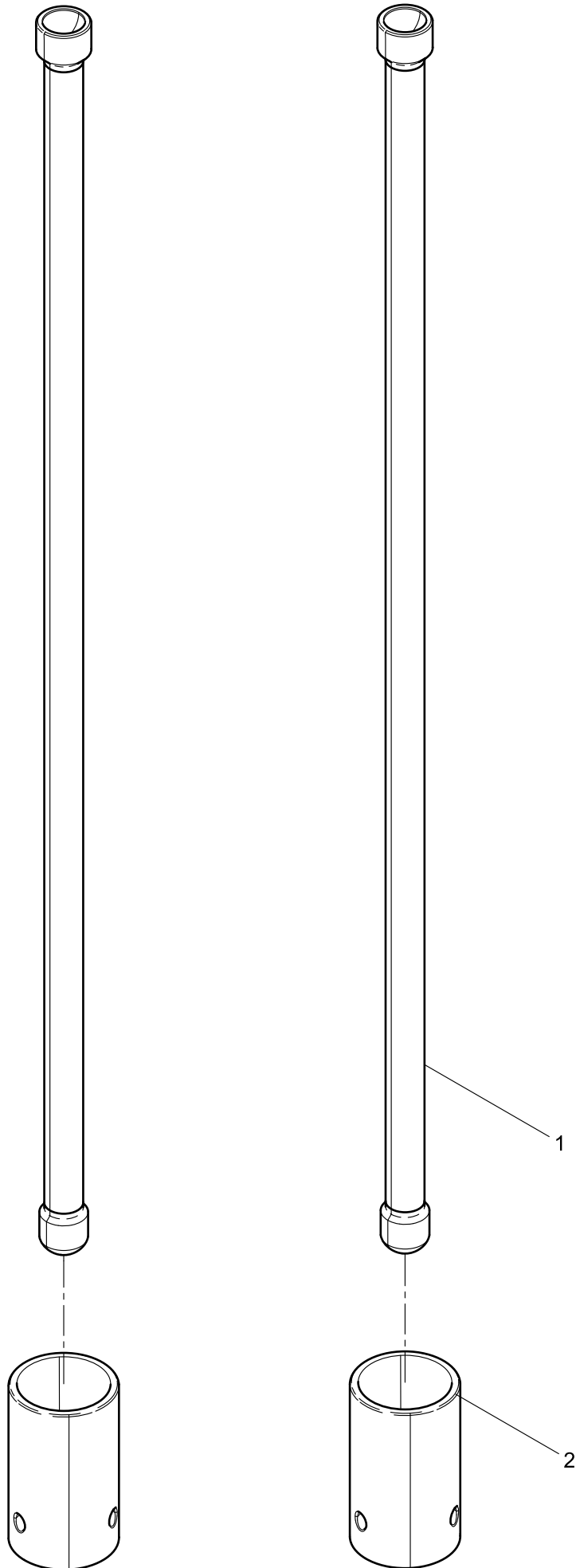
Camshaft Group



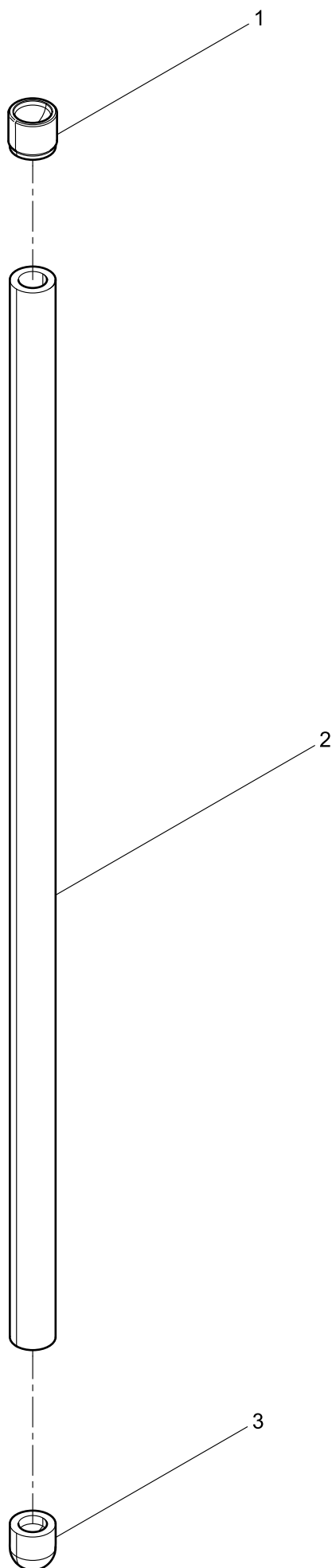
Camshaft Assembly



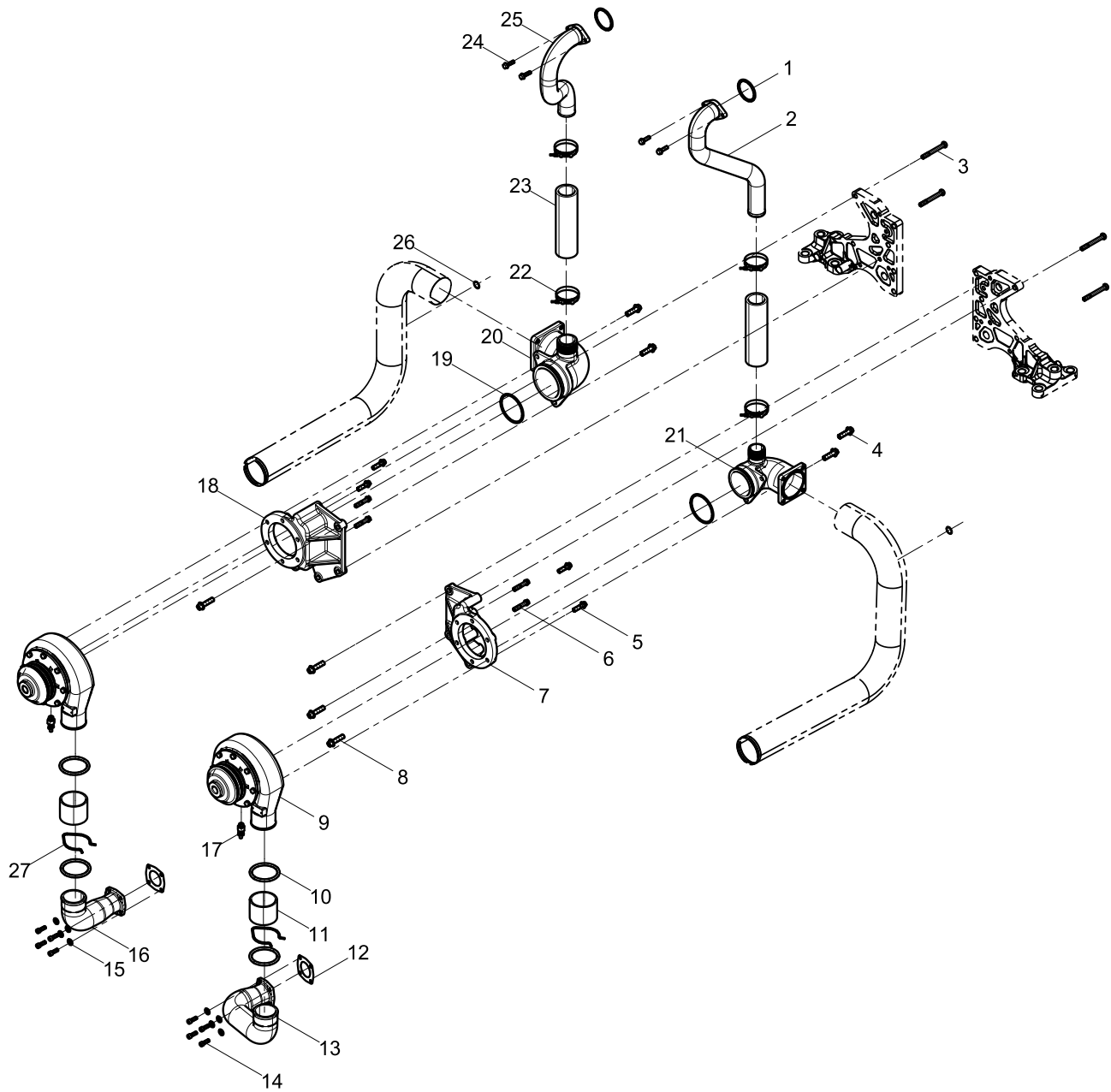
Tappet And Push Rod Group



Push Rod



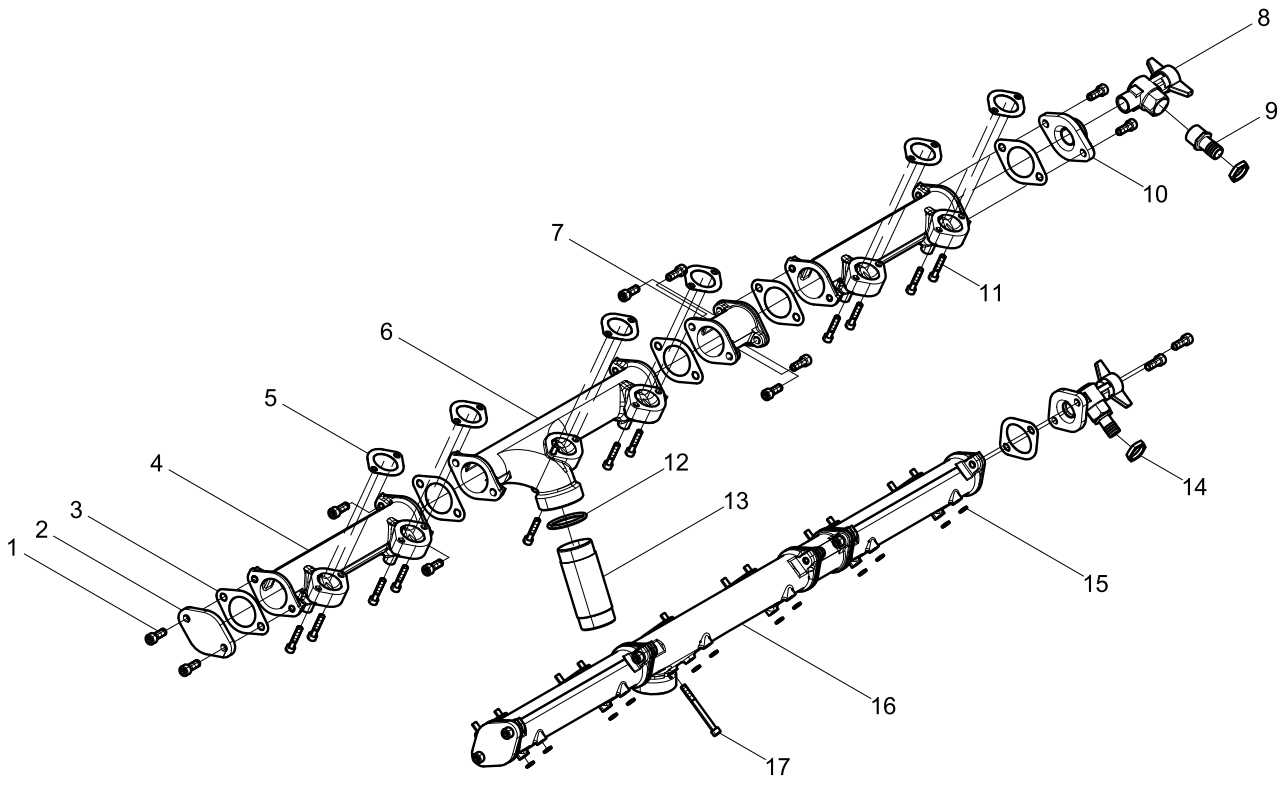
Water Pump Group



Water Pump Group

Pos.	Teile.Number	Amount	Designation
1	1001926798	2	O-ring
2	1001614953	1	Water Pump Water Pipe Assembly
3	331002000249	4	Hexagon Flange Bolt
4	90011420014	4	Hexagon Flange Bolt
5	90011420012	4	Hexagon Flange Bolt
6	9000000232	4	Hexagon Flange Bolt
7	330203000180	1	Water Pump Bracket
8	90011420004	4	Hexagon Flange Bolt
9	1002280998	2	Water Pump
10	1001999968	4	O-ring
11	1002207669	2	Water Pipe Connector
12	14230330A	2	Gasket
13	1002267913	1	Water-outlet Pipe
14	90013050036	8	Inner Hexagon Socket Head Cap Screw
15	90014040007	8	Plain Washer
16	1002269460	1	Water-outlet Pipe
17	1001312338	2	Water Draining Valve
18	X6231.393W	1	Water Pump Bracket
19	1002814336	2	O-ring
20	1000747044	1	Pipe Joint
21	1000747050	1	Pipe Joint
22	612600062206	4	Clamp
23	1003060580	2	Coolant Connecting Rubber Pipe
24	90011420015	4	Hexagon Flange Bolt
25	1001614955	1	Water Pump Water Pipe Assembly
26	612600080200	2	Washer
27	1002251624	2	Round Wire Snap Rings for Shaft

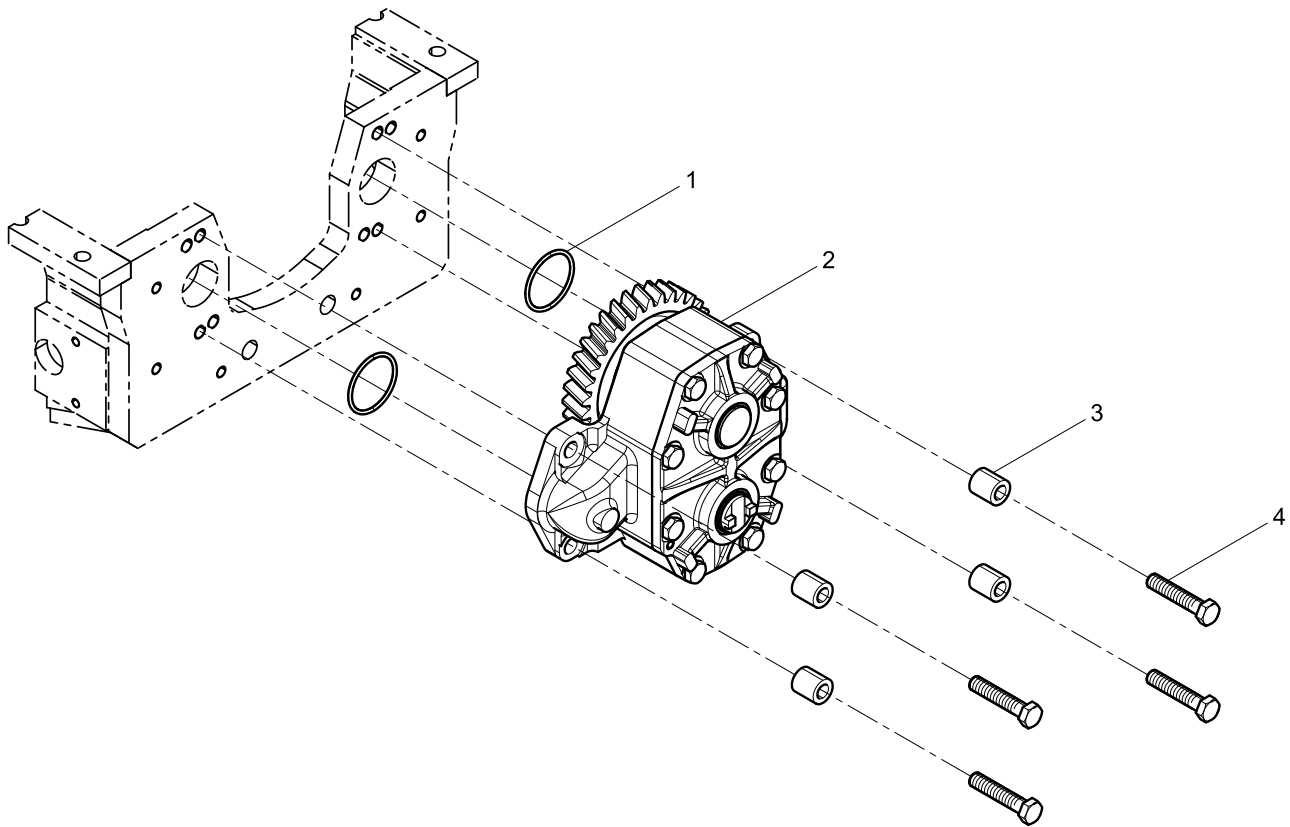
Water Pipe Group



Water Pipe Group

Pos.	Teile.Number	Amount	Designation
1	90013050042	20	Inner Hexagon Socket Head Cap Screw
2	13616660S	2	Cover
3	13516260M	10	Gasket
4	15033831W	4	Water Pipe
5	13613990Q	12	Gasket
6	15034121L	1	Water Pipe
7	15033841G	2	Water Pipe
8	77736060S	2	Valve Core
9	15035710N	2	Pipe Joint
10	330203000277	2	Flange
11	9000000151	22	Hexagon Flange Bolt
12	1002802537	2	O-ring
13	15034130W	2	Water Pipe
14	1000593609	2	Thin Nut for Connector
15	1000872315	24	Assembled Sealing Washer
16	15034111A	1	Water Pipe
17	9000000713	2	Hexagon Flange Bolt

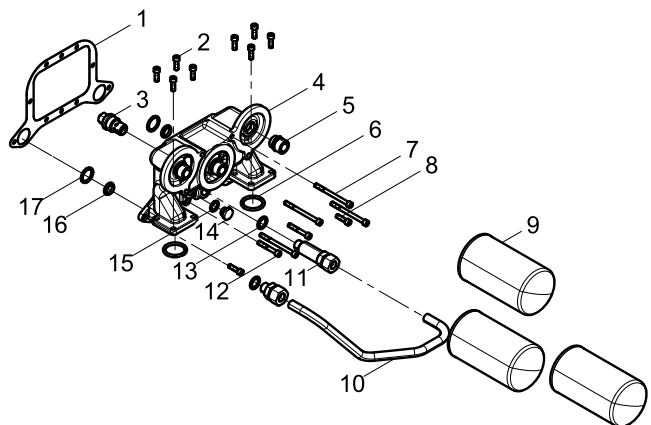
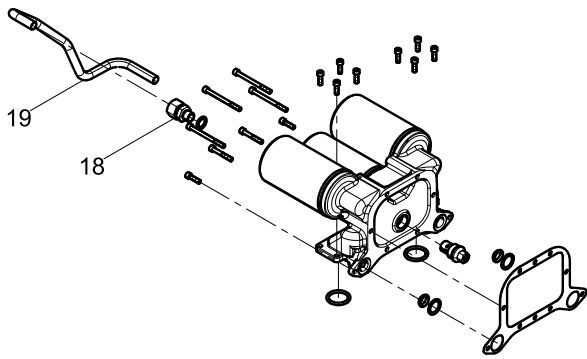
Oil Pump Group



Oil Pump Group

Pos.	Teile.Number	Amount	Designation
1	90017550020	2	O-ring
2	330250000096	1	Lubricating Oil Pump
3	14060700V	4	Pad
4	90003802655	4	Hexagon Head Bolt

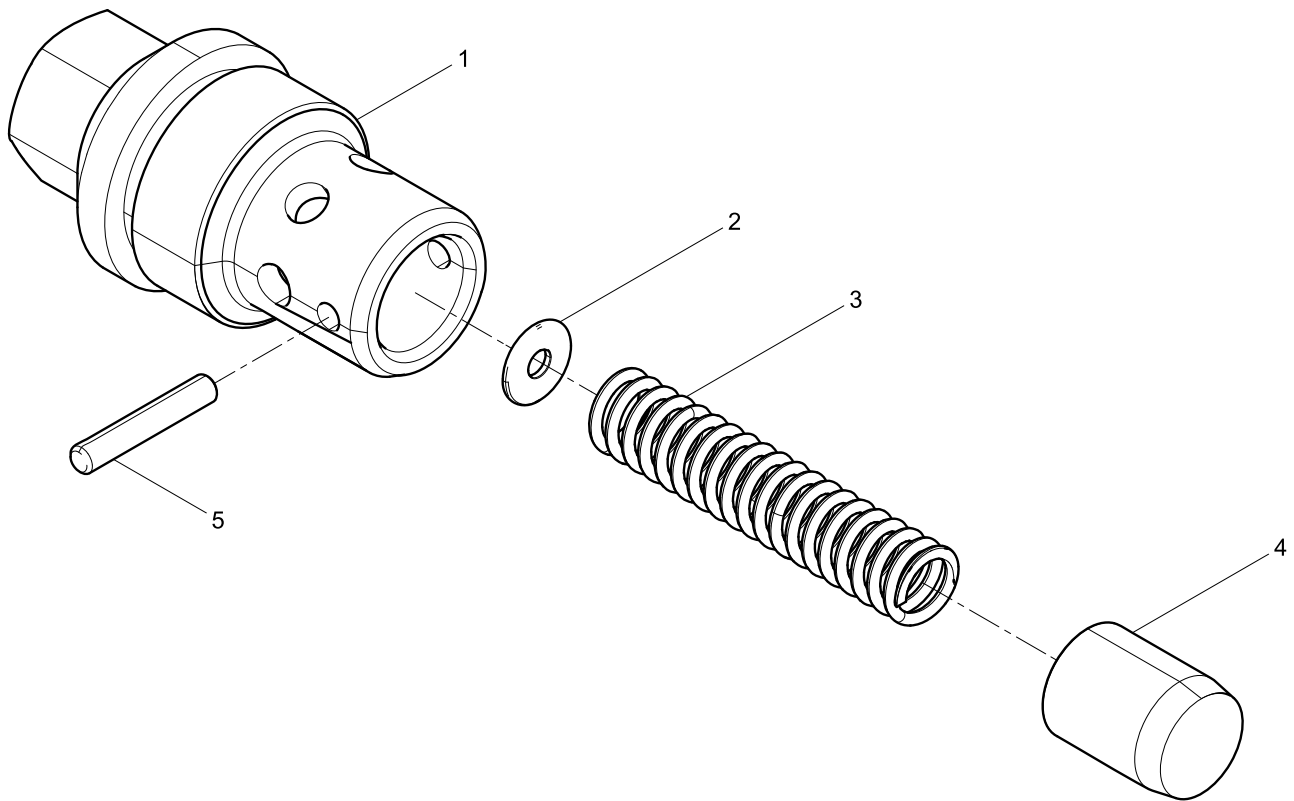
Oil Filter Group



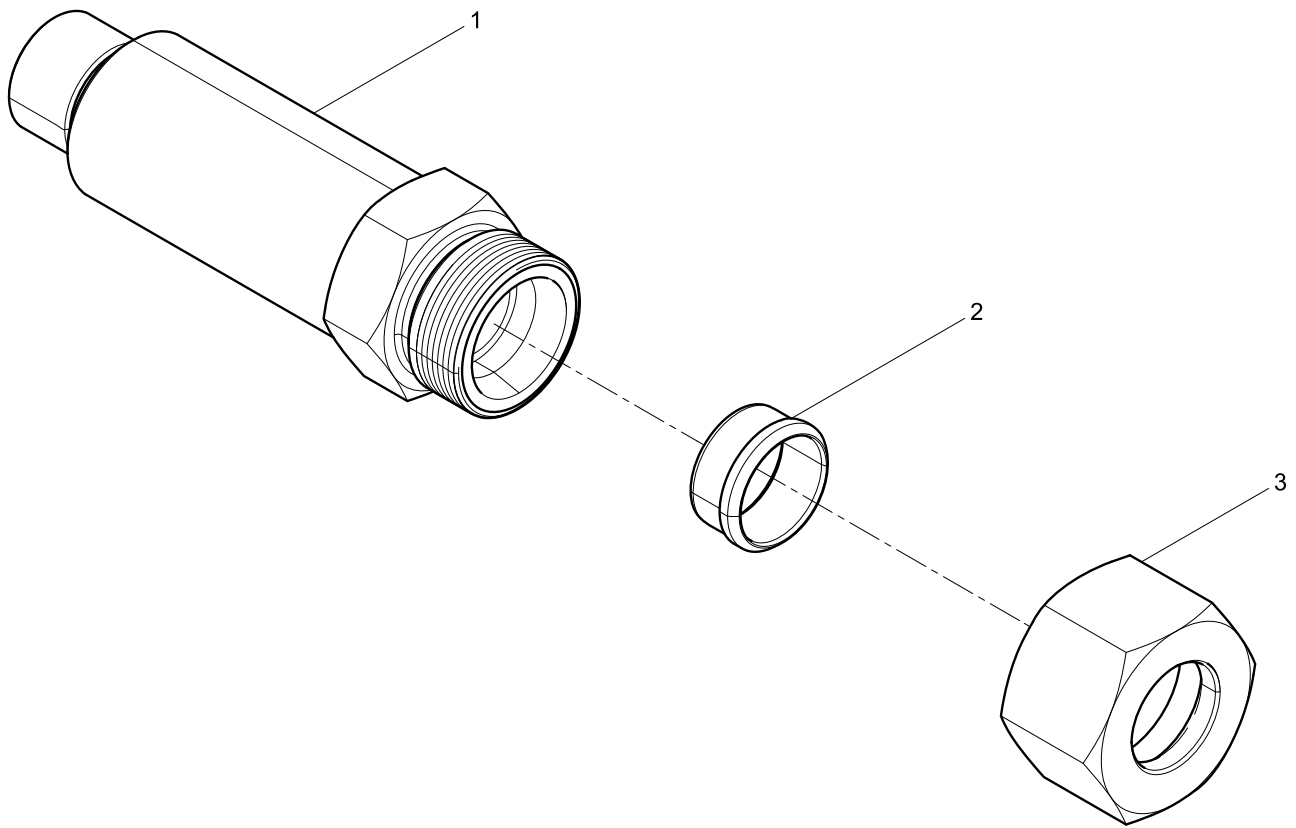
Oil Filter Group

Pos.	Teile.Number	Amount	Designation
1	13615050S	2	Gasket
2	90013050036	16	Inner Hexagon Socket Head Cap Screw
3	330204000102	2	Oil Pressure Relief Valve
4	330204000176	2	Oil Filter Seat
5	330204000116	6	Joint Body
6	1001926797	4	O-ring
7	77752630D	8	
8	90013050037	4	Inner Hexagon Socket Head Cap Screw
9	612630010506	6	Oil Filter
10	330204000240	1	Oil Filter Oil Pipe
11	330204000177	2	Pipe Joint
12	90013550020	4	Inner Hexagon Socket Head Cap Screw
13	13023363	4	Assembled Sealing Washer
14	11230560F	2	Screw Plug
15	612600080275	2	Sealing Washer
16	15040210E	4	Plastic Insert
17	1002823787	4	O-ring
18	330204000178	2	Pipe Joint
19	330204000169	1	Oil Filter Oil Pipe

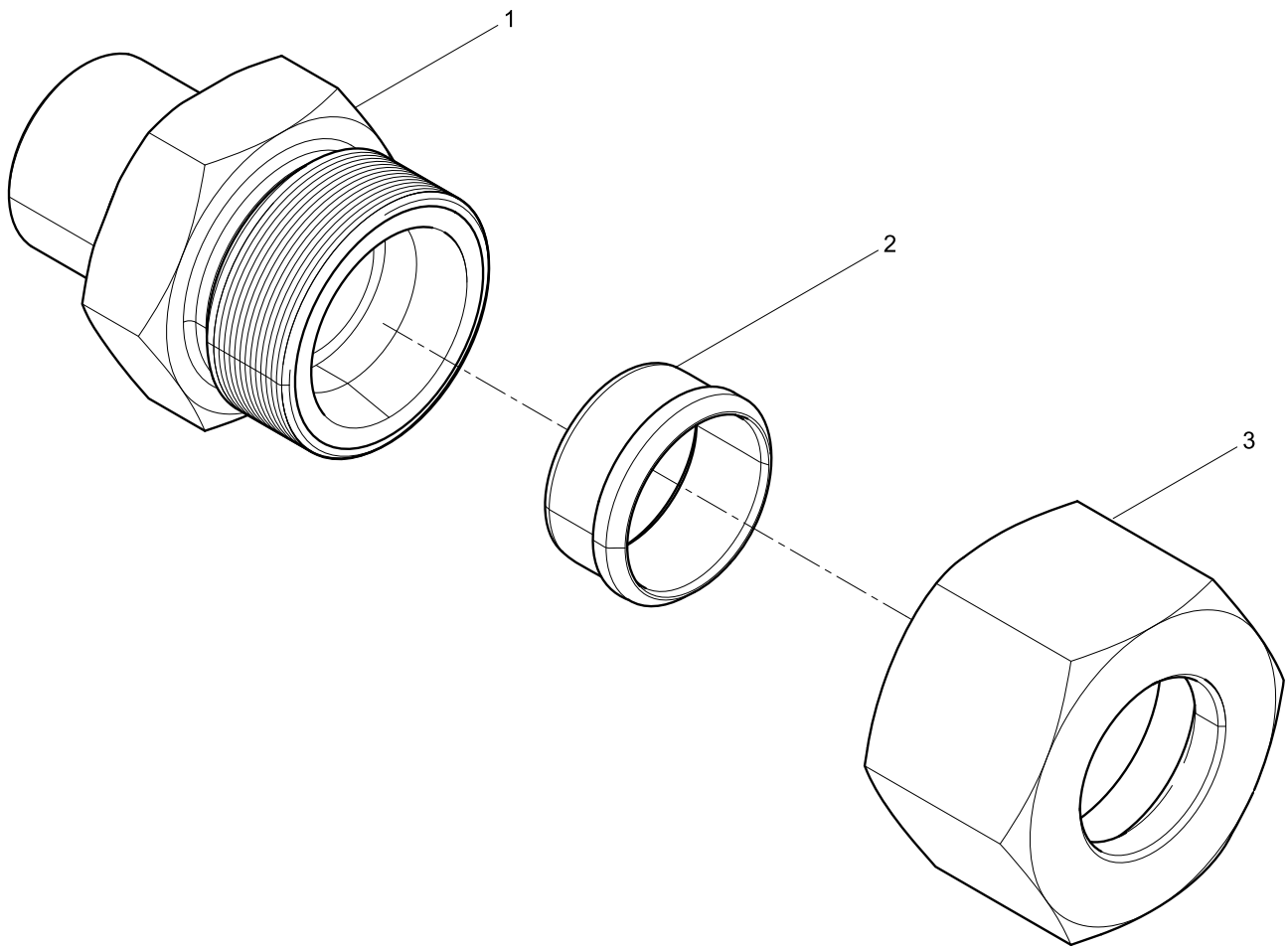
Oil Pressure Relief Valve



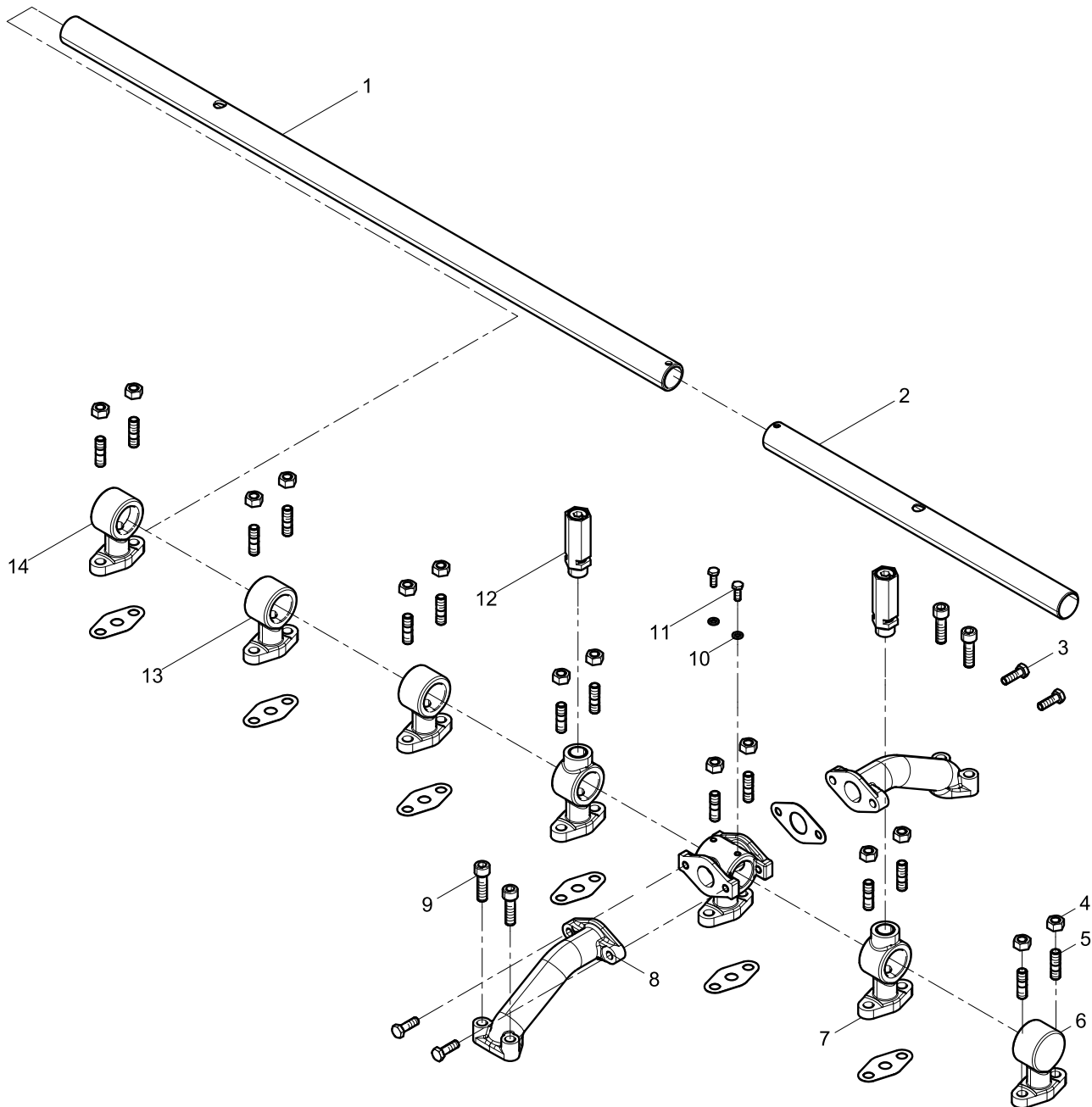
Pipe Joint



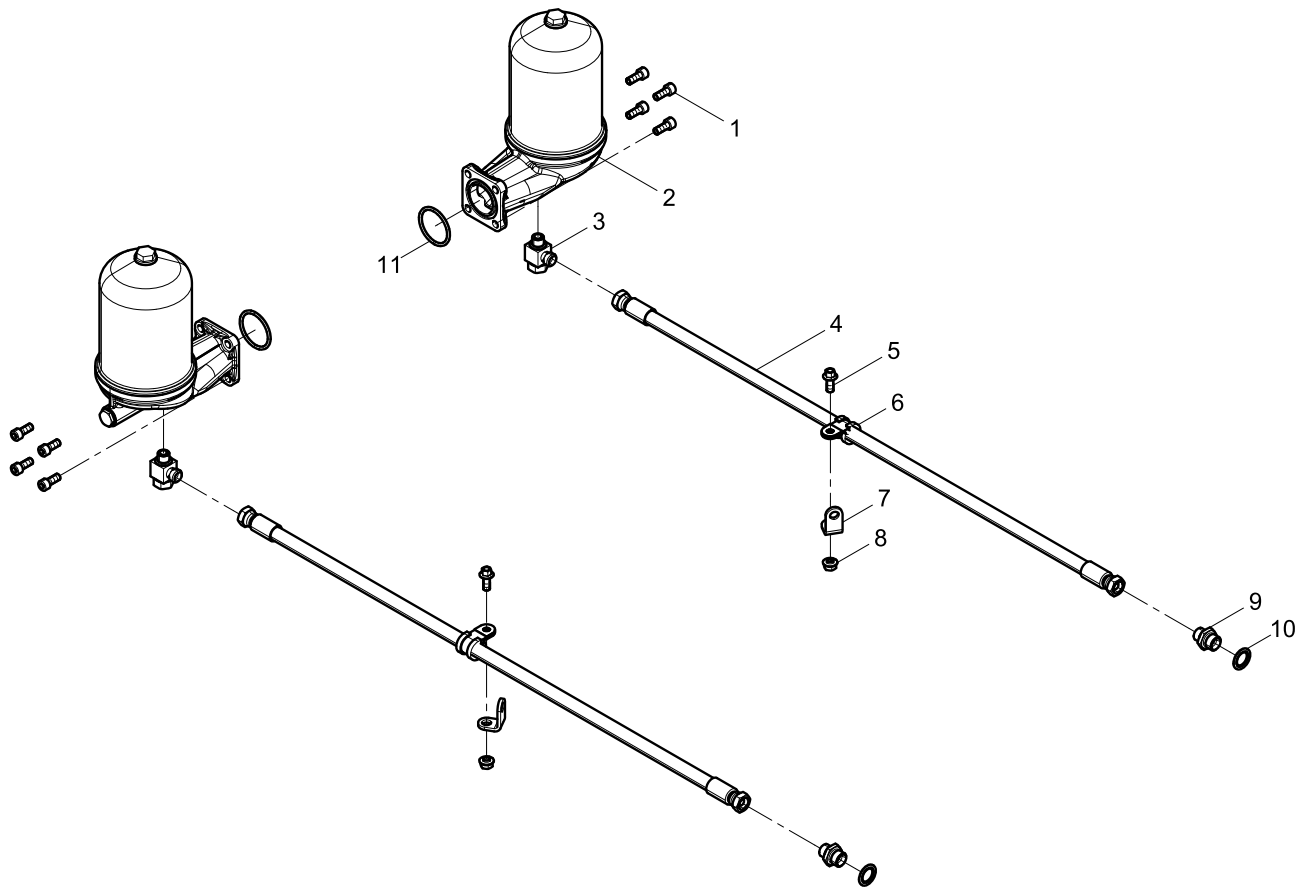
Pipe Joint



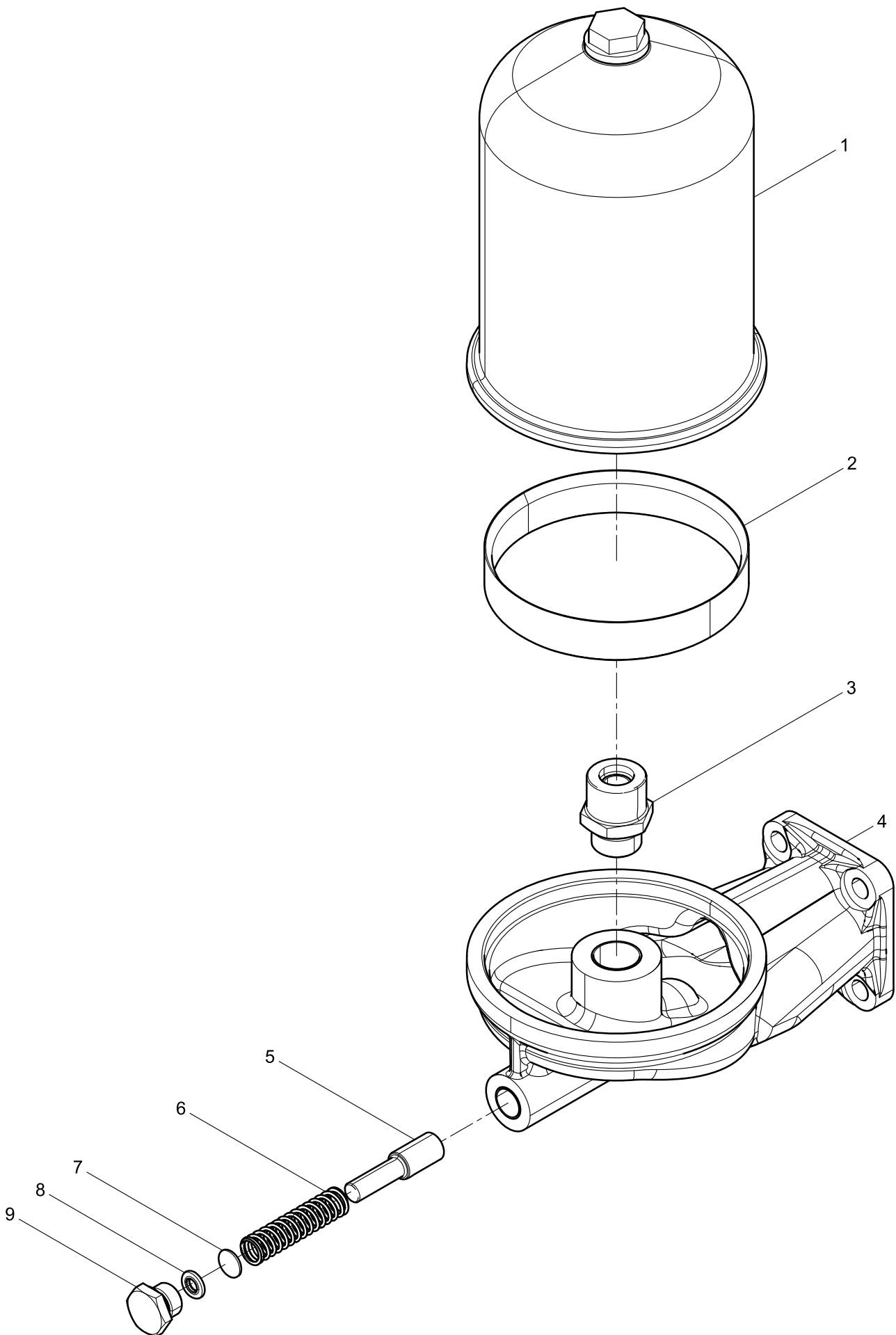
Oil pipe group



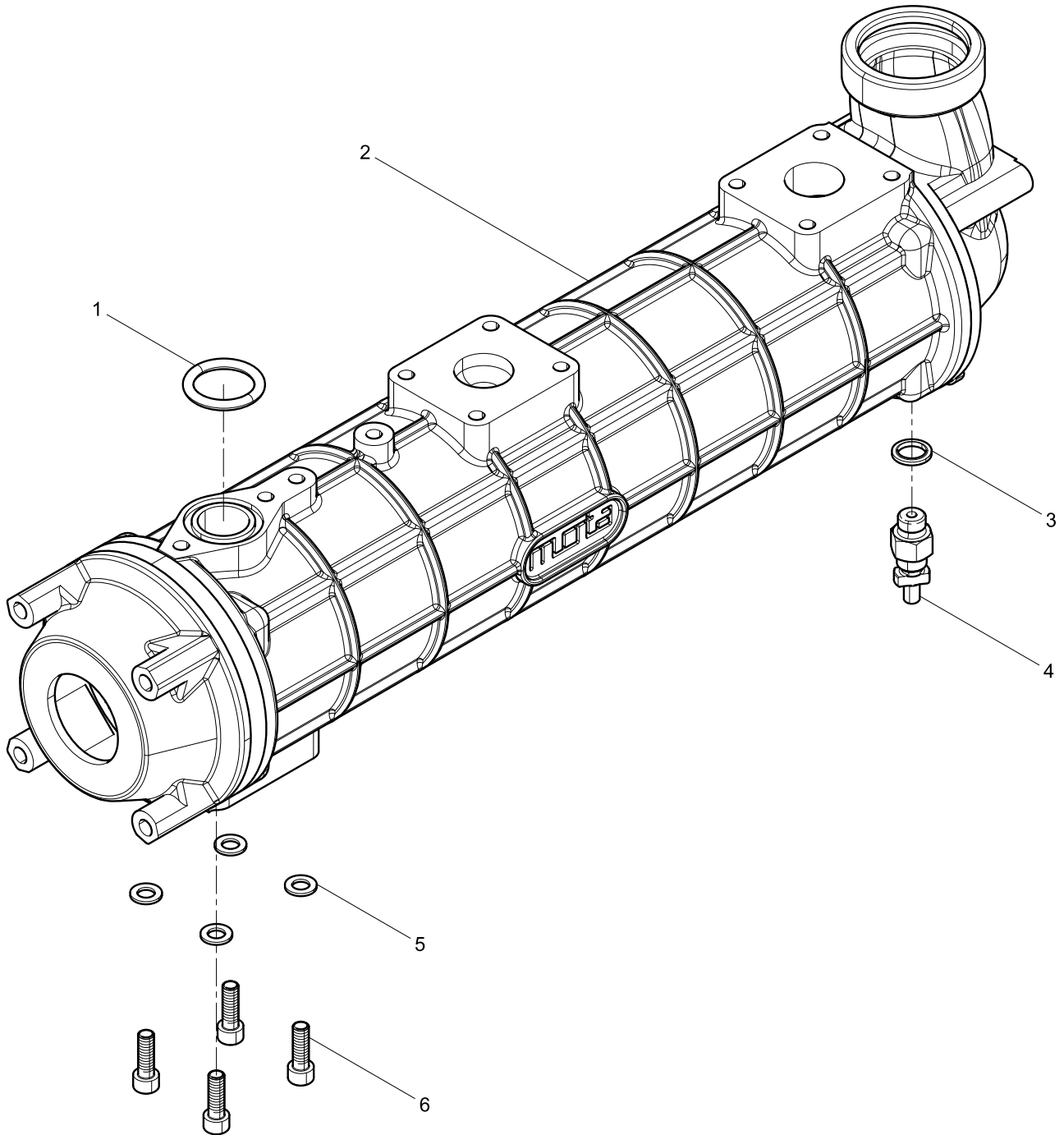
Oil Filter Group



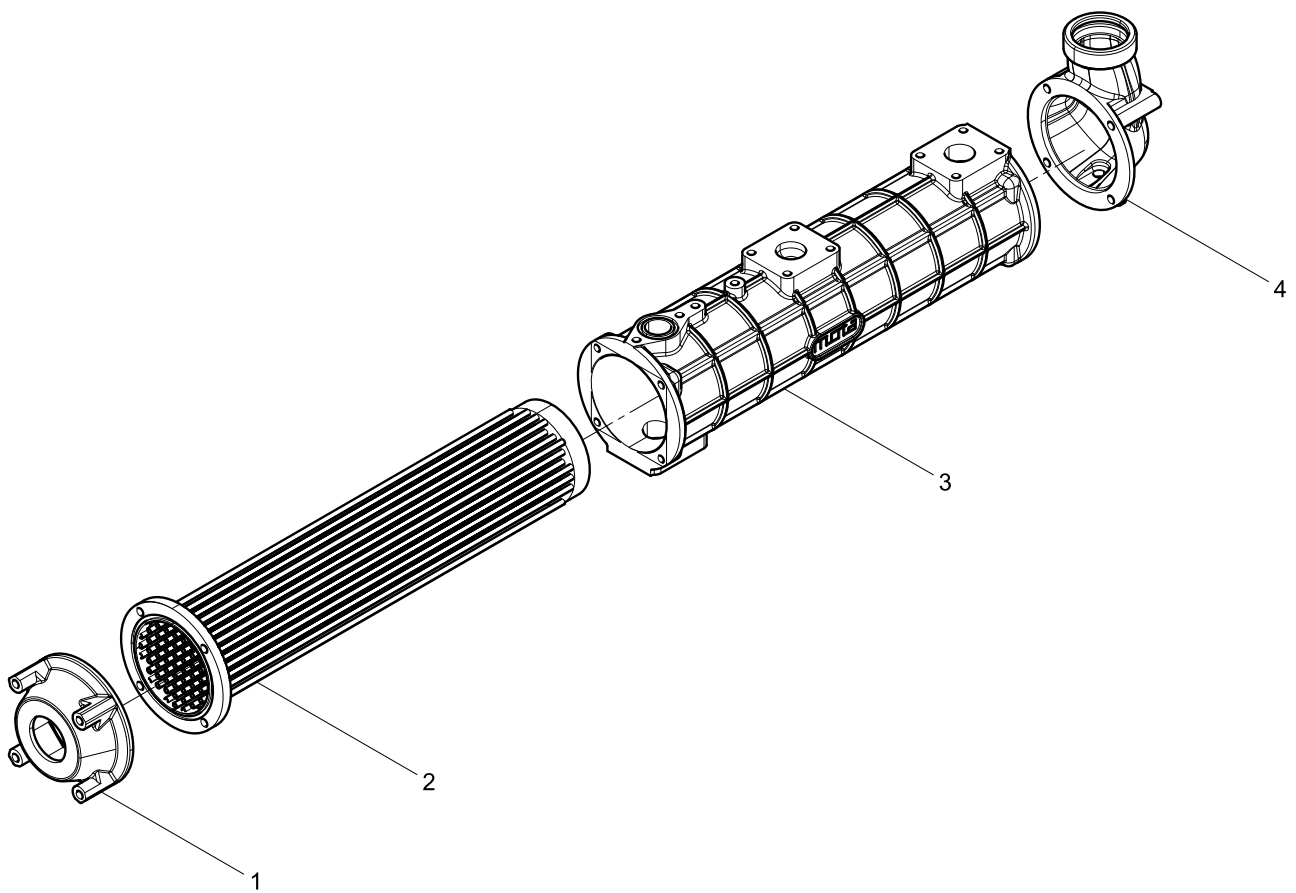
Centrifuge filter assembly



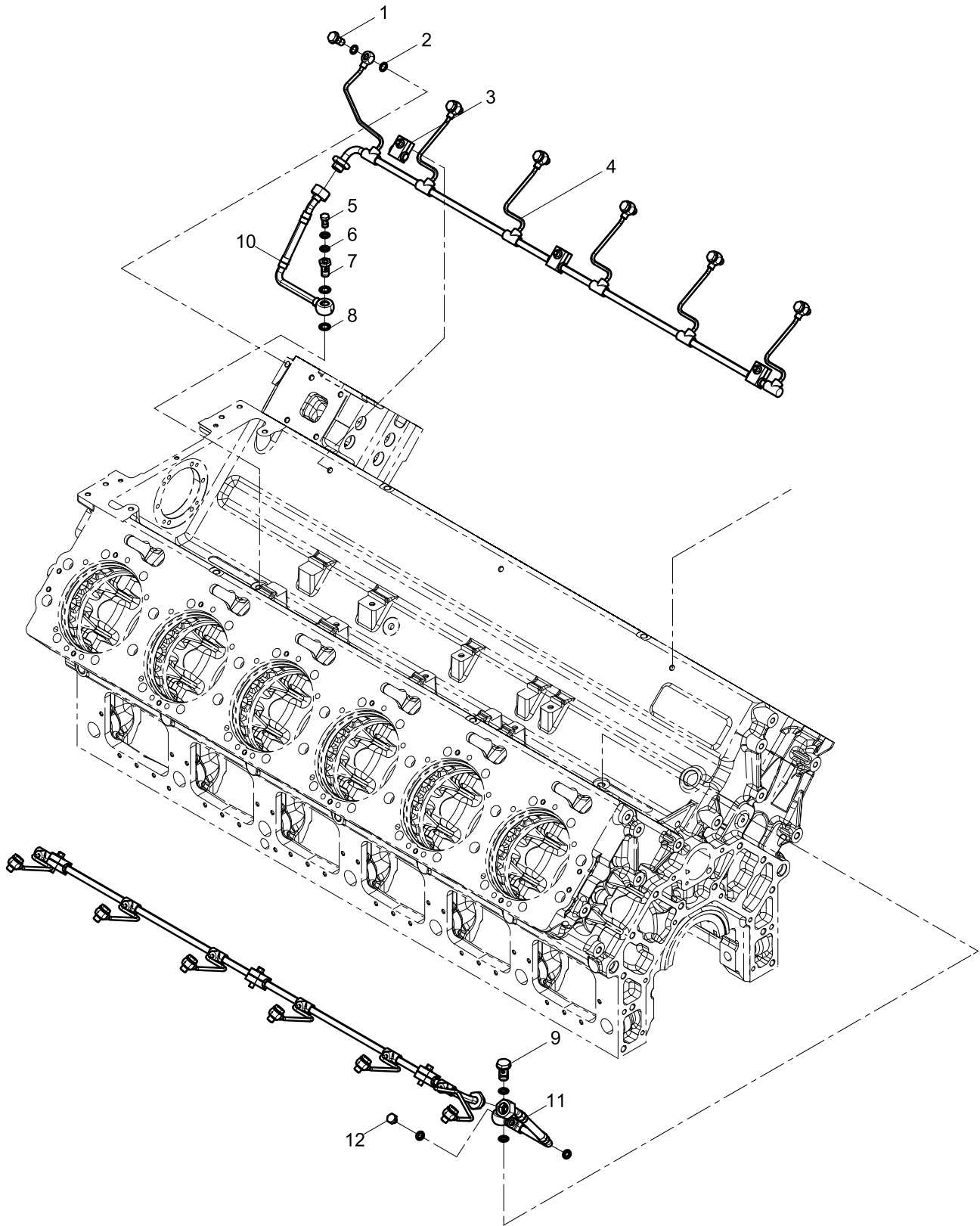
Oil Cooler Group



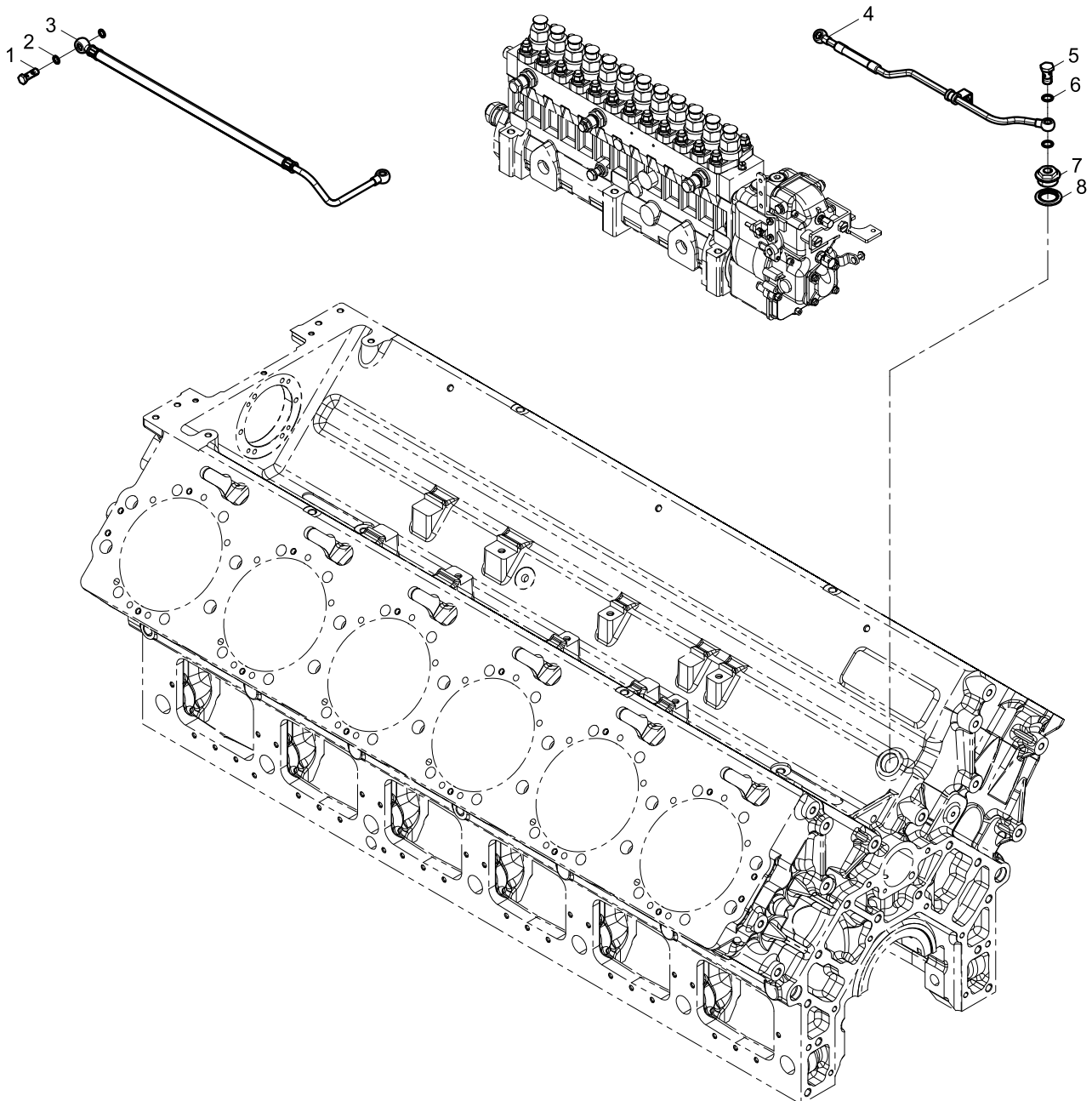
Oil Cooler Assembly



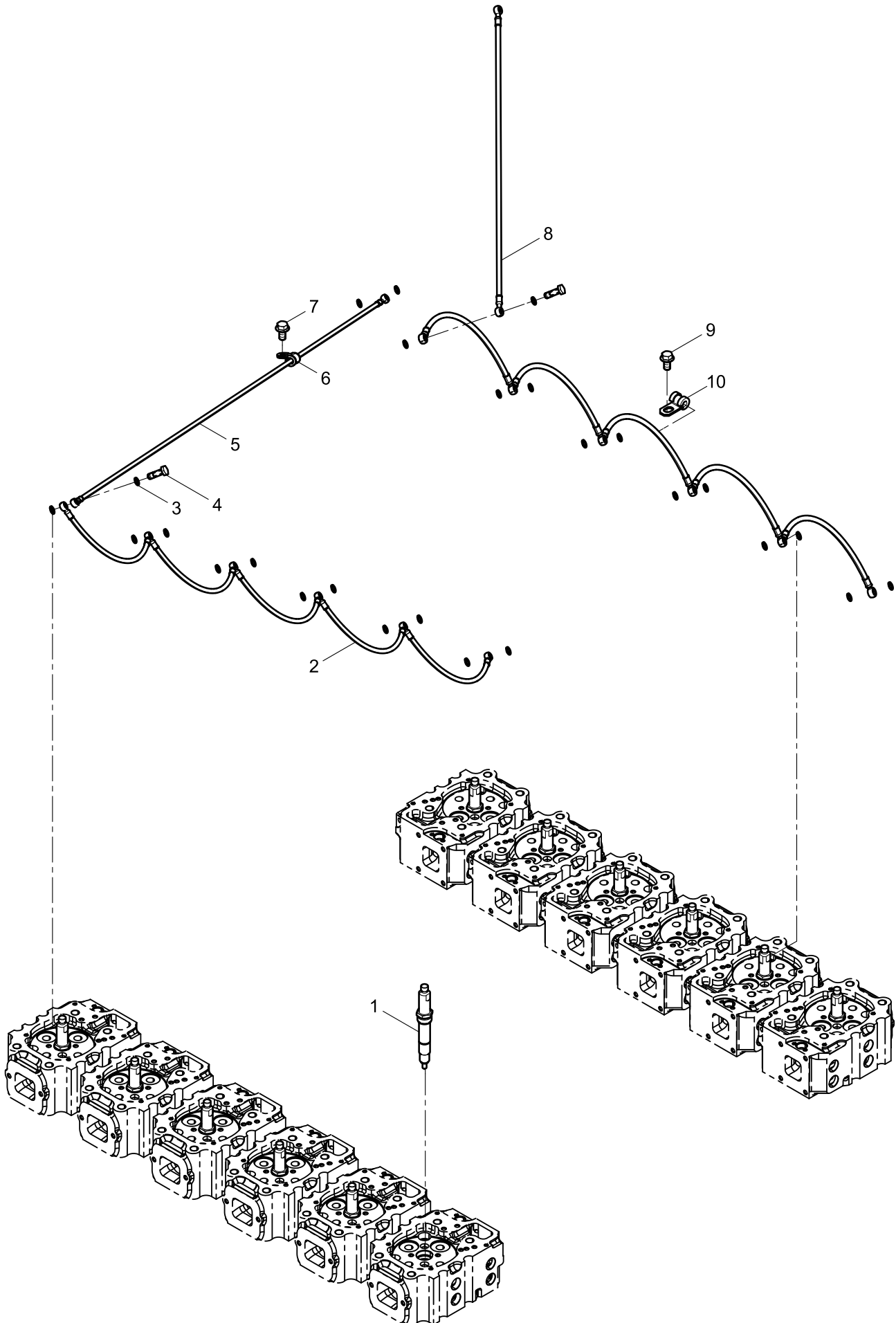
Rocker Arm Oil Pipe Group



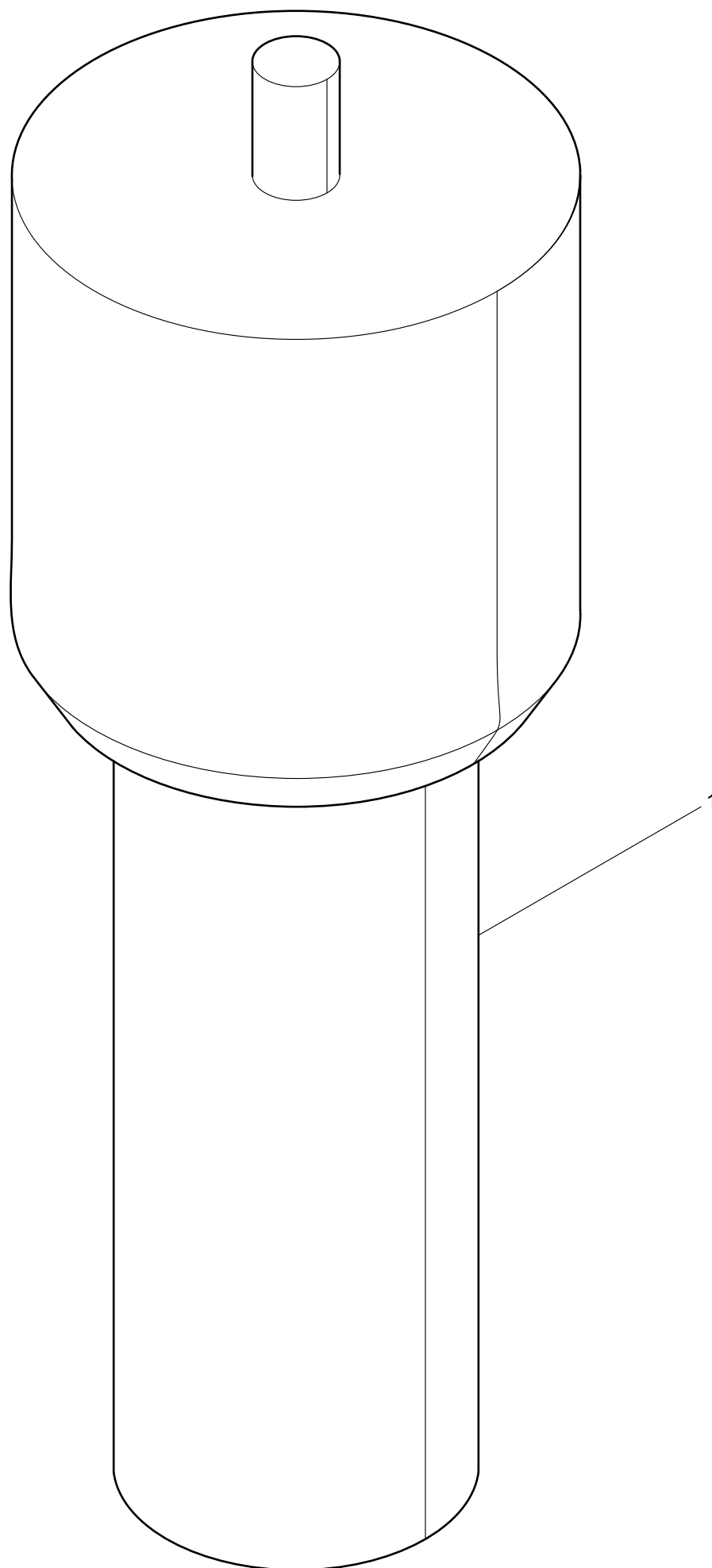
Injection pump Oil pipe Group



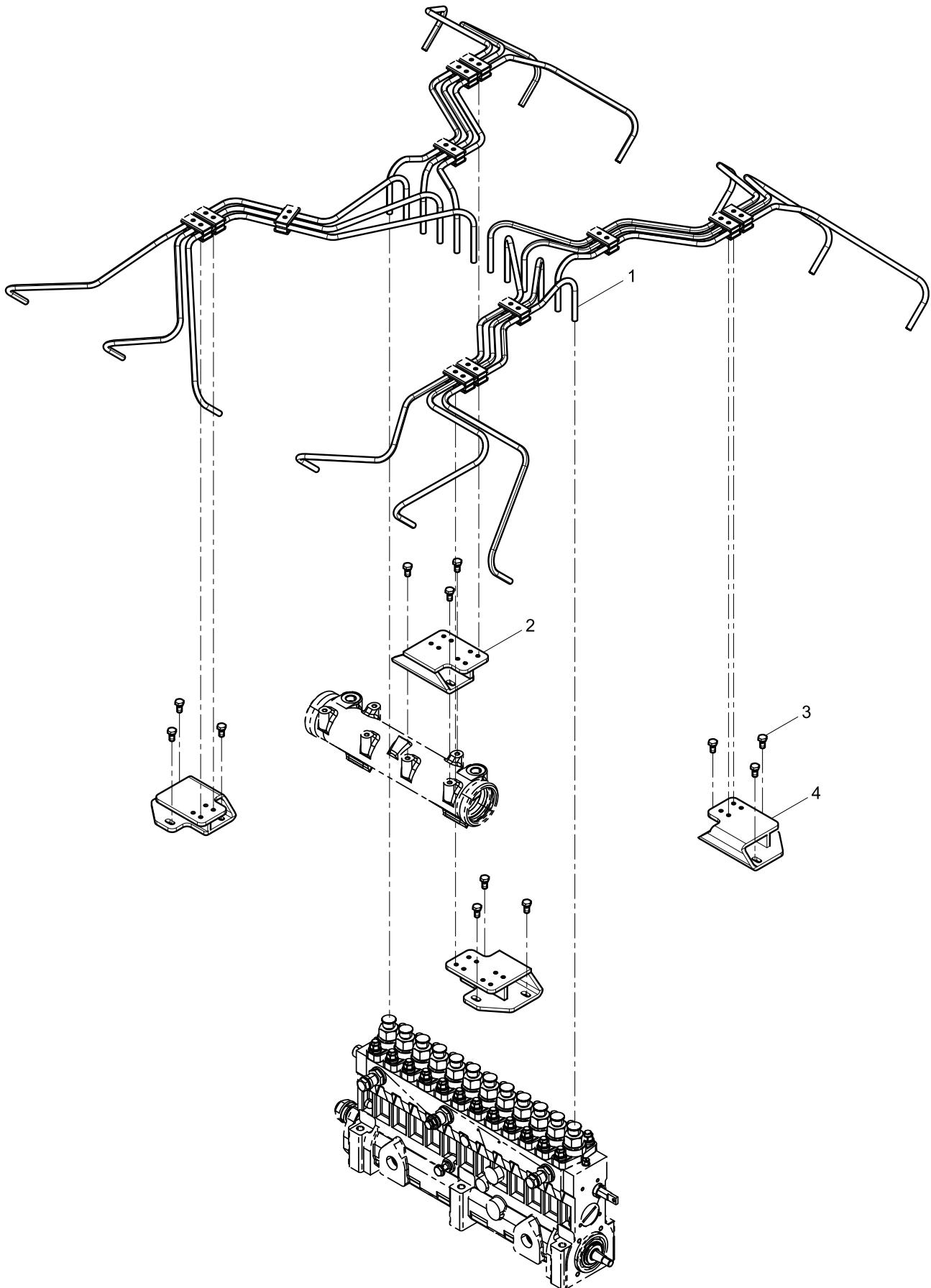
Fuel Injector Group



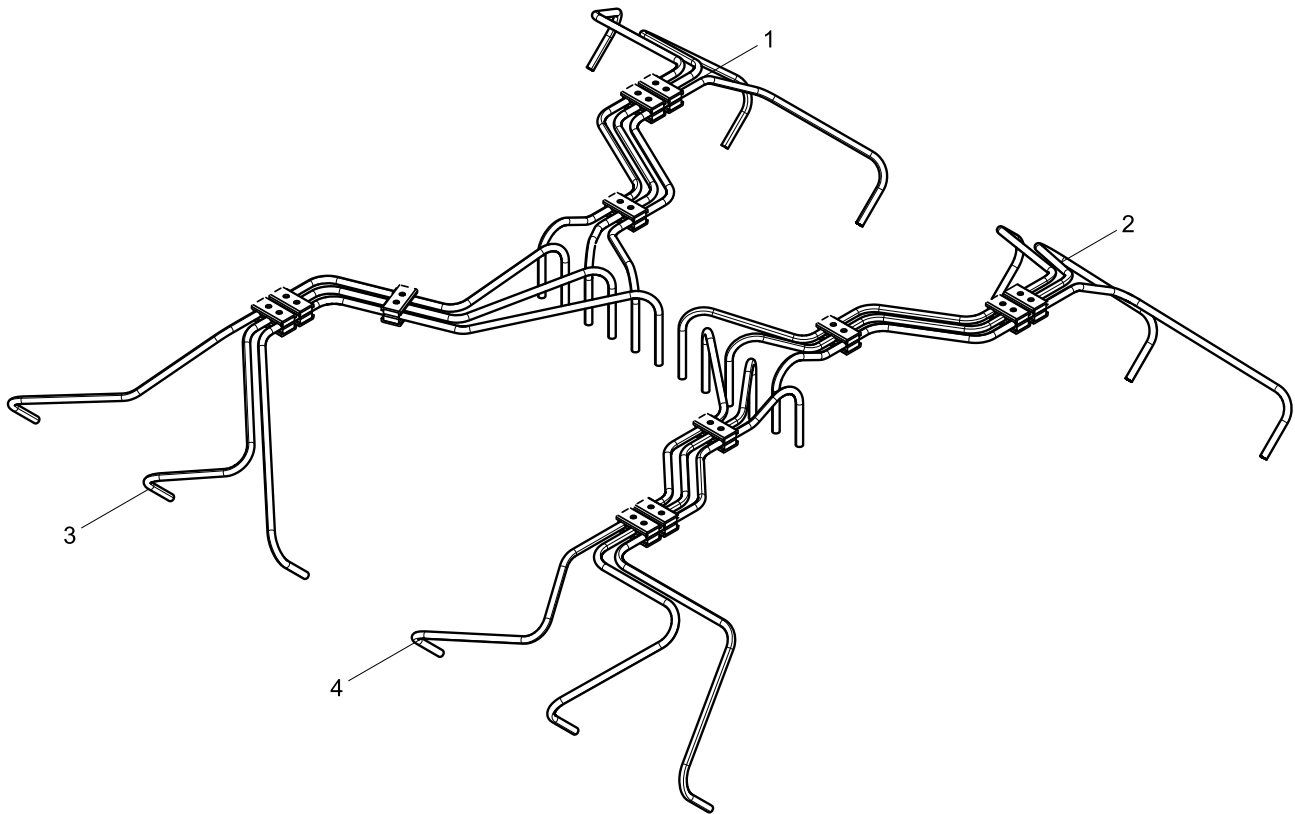
Fuel Injector



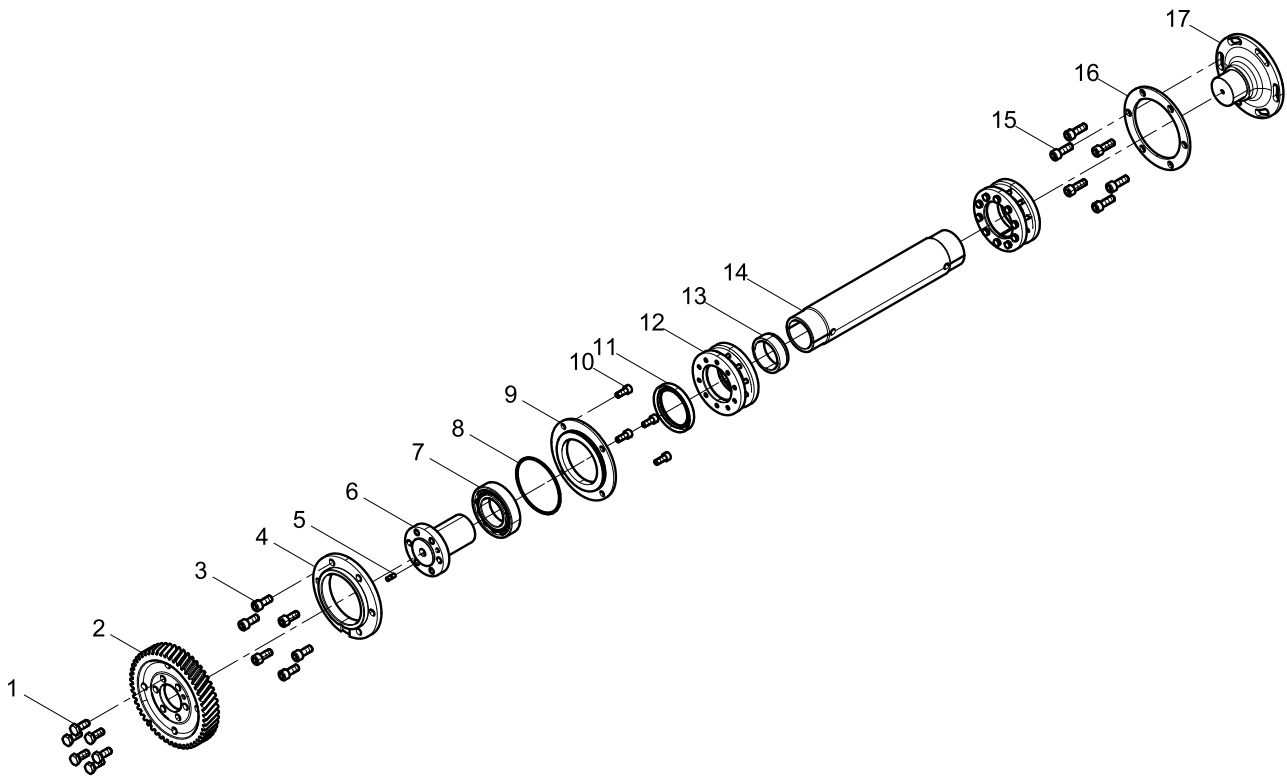
High Pressure Fuel Pipe Group



High-pressure Fuel Pipe Assembly



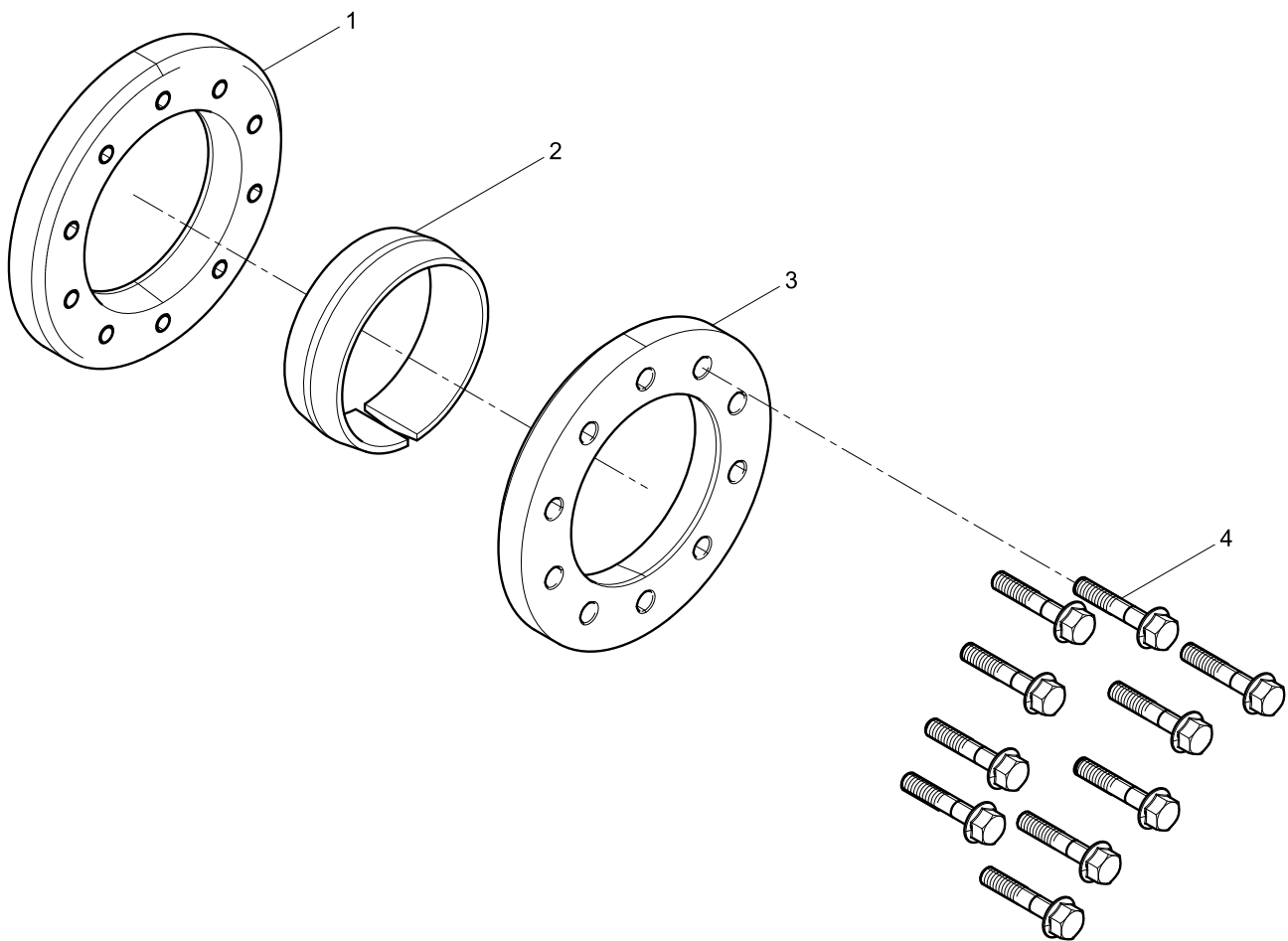
Fuel Injection Pump Drive shaft group



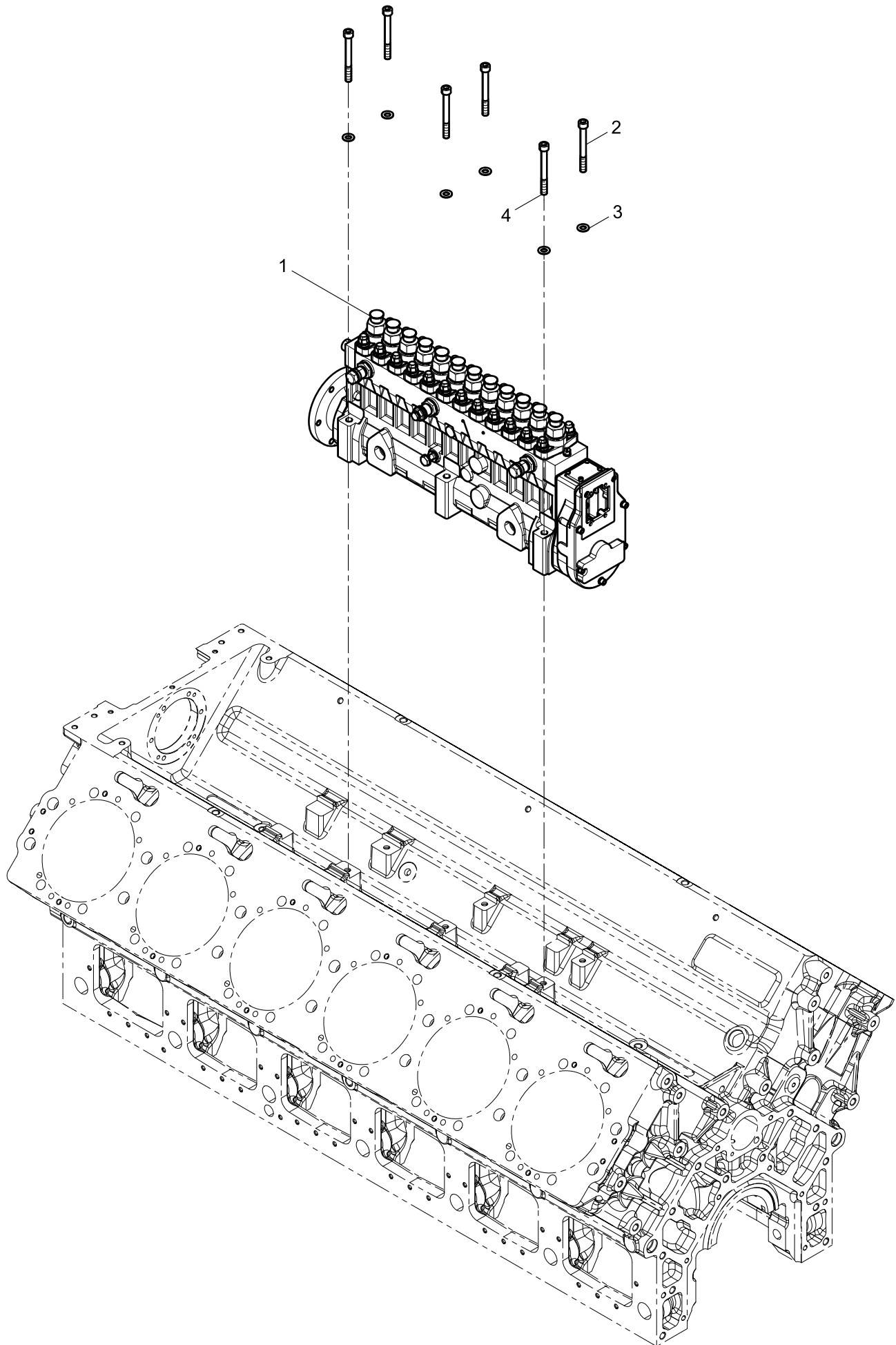
Fuel Injection Pump Drive shaft group

Pos.	Teile.Number	Amount	Designation
1	330202000246	6	Hexagon Head Bolt
2	15050750L	1	Fuel Injection Pump Gear
3	90013050070	6	Inner Hexagon Socket Head Cap Screw
4	15052330D	1	Bearing Seat
5	90019230004	1	Grooved Pin
6	15052350A	1	Shaft casing
7	77840350B	1	Self-aligning Roller Bearing
8	90017510055	1	O-ring
9	15052400E	1	Bearing Cover
10	90013550027	4	Inner Hexagon Socket Head Cap Screw
11	77700861H	1	Skeleton Type Rubber Oil Seal
12	15052380H	2	Connecting Plate
13	330205000364	1	Friction ring
14	330205000361	1	Pipe
15	90013050042	6	Inner Hexagon Socket Head Cap Screw
16	15052410Q	1	Washer
17	15052360L	1	Coupling sheath

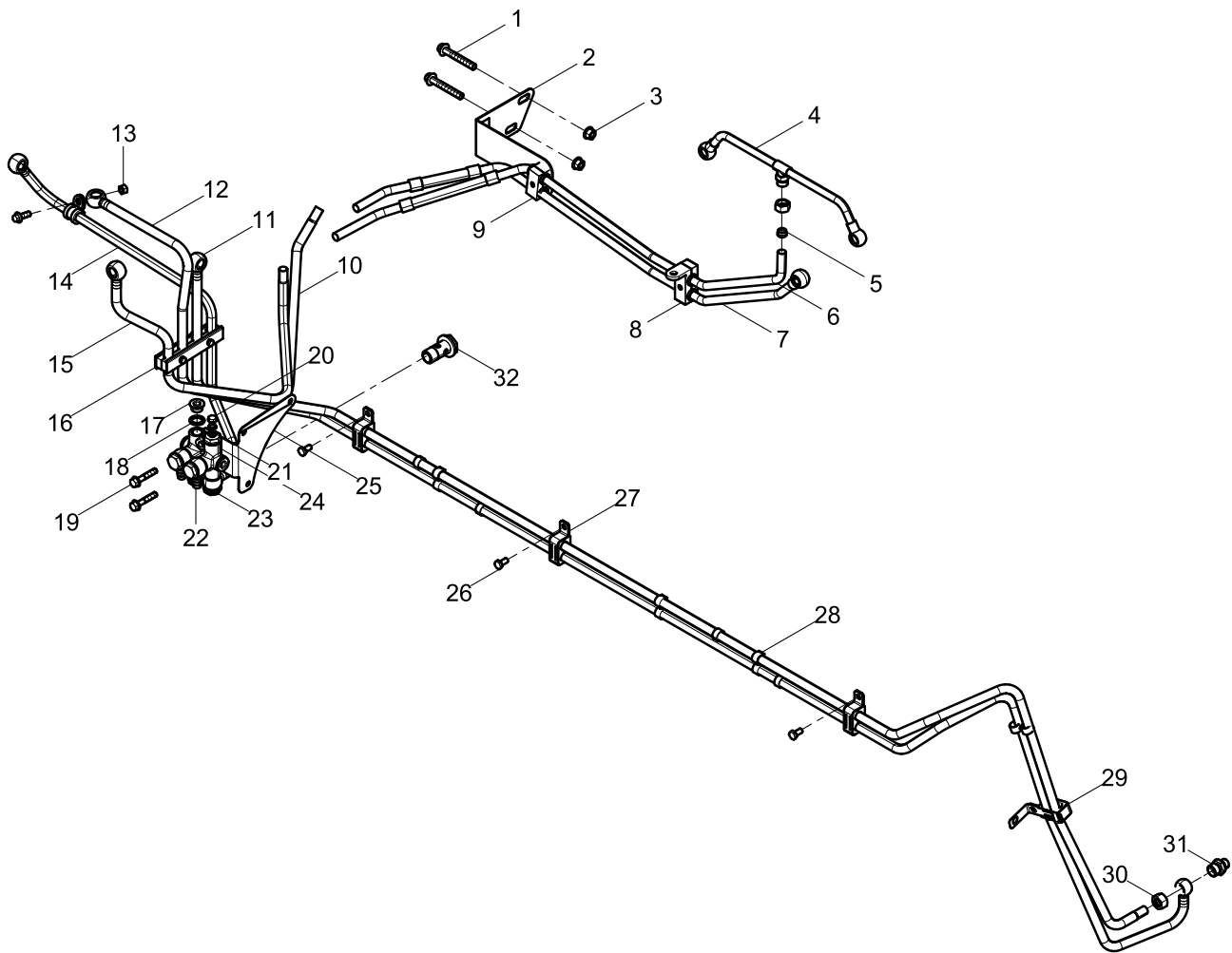
Connecting Plate



Fuel Injection Pump Group



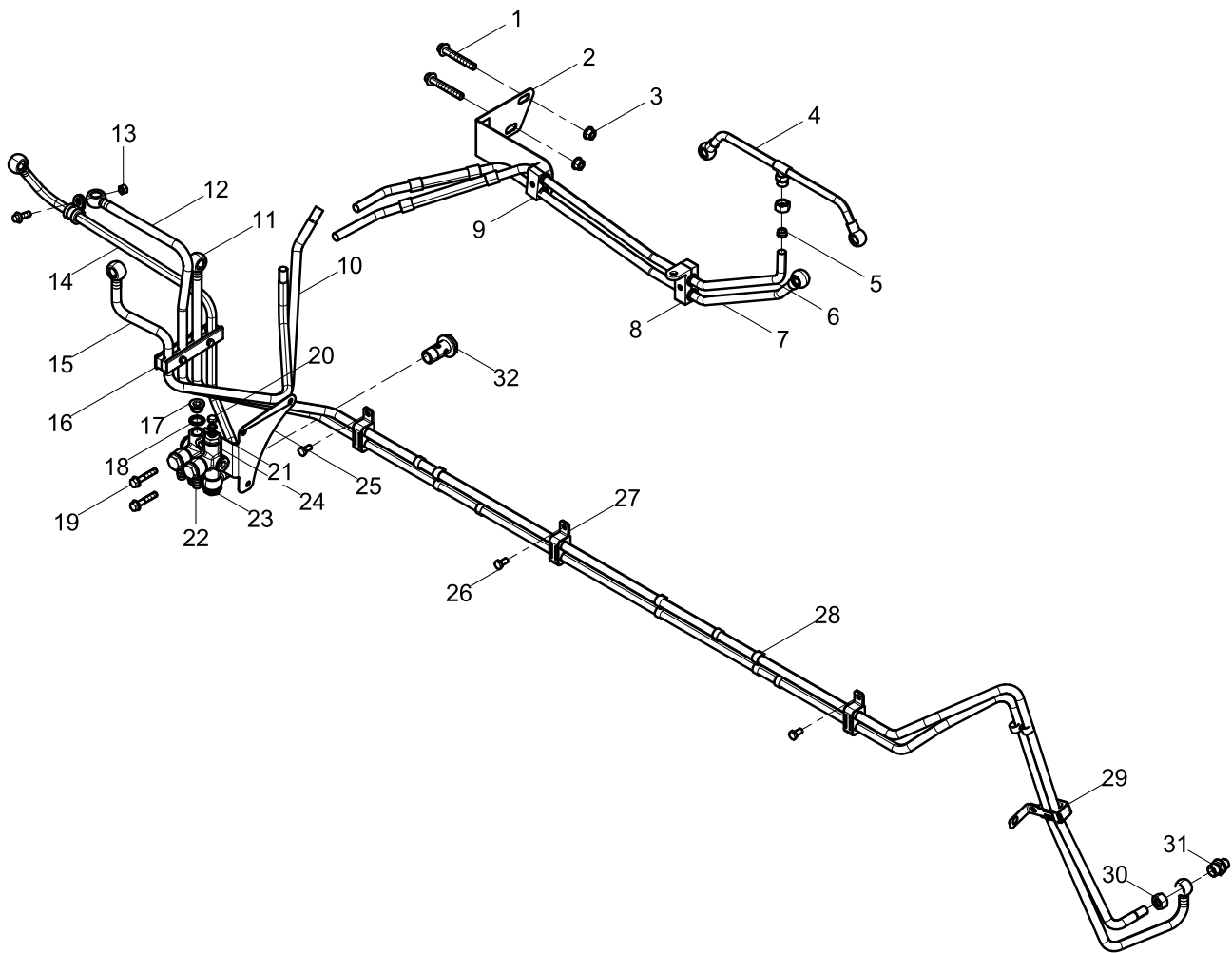
Low Pressure Fuel Pipe Group



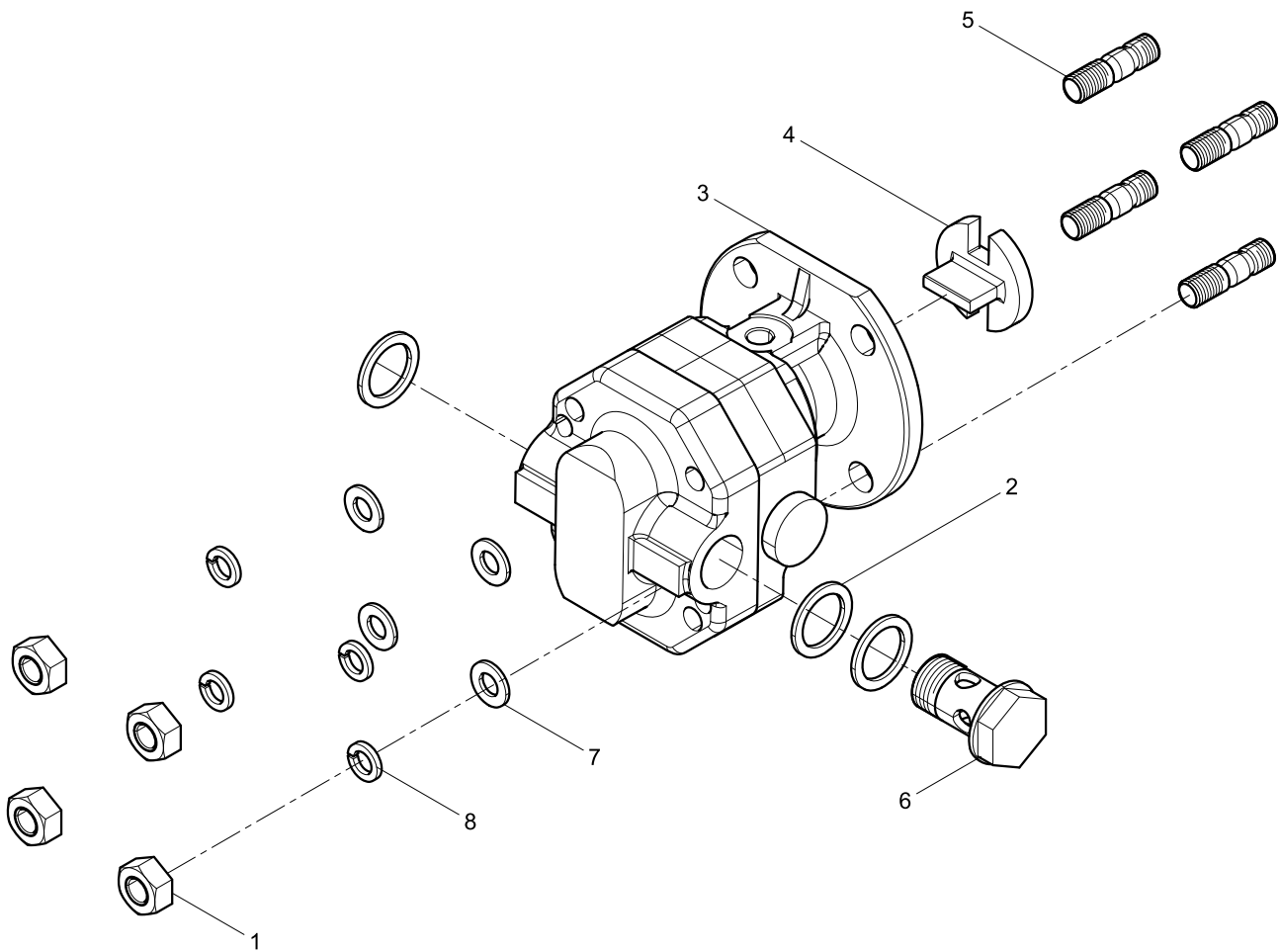
Low Pressure Fuel Pipe Group

Pos.	Teile.Number	Amount	Designation
1	90011430013	2	Hexagon Flange with Tooth Bolt
2	1000181027	1	Fuel Pipe Bracket Assembly
3	90012290007	2	Hexagon Flange Nut
4	1002304071	1	Fuel-inlet Pipe Assembly
5	1001574768	2	Ferrule
6	1000176820	1	Fuel-inlet Pipe
7	1000176822	1	Fuel Return Pipe Assembly
8	330205000403	1	Pipe Clamp Assembly
9	331005001027	1	Pipe Clamp Assembly
10	1000060278	1	Fuel Return Pipe Assembly
11	1000060915	1	Fuel-inlet Pipe Assembly
12	1000060924	1	Fuel-inlet Pipe Assembly
13	90012210022	1	Hexagon Nut
14	1000060258	1	Fuel-inlet Pipe Assembly
15	1000060276	1	Fuel-inlet Pipe Assembly
16	1000049167	1	Pipe Clamp Assembly
17	14400078J	4	Hexagon Taper Screw Plug
18	612600080275	12	Sealing Washer
19	90011400004	2	Hexagon Flange Bolt
20	12430650B	1	Gemel Bolt
21	612600080201	3	Washer
22	612600082773	2	Pipe Joint
23	01119250	3	Hollow screw
24	331005000809	1	Transition joint
25	1000067318	1	Bracket
26	90011400019	1	Hexagon Flange Bolt
27	331005000816	3	Pipe Clamp Assembly

Low Pressure Fuel Pipe Group



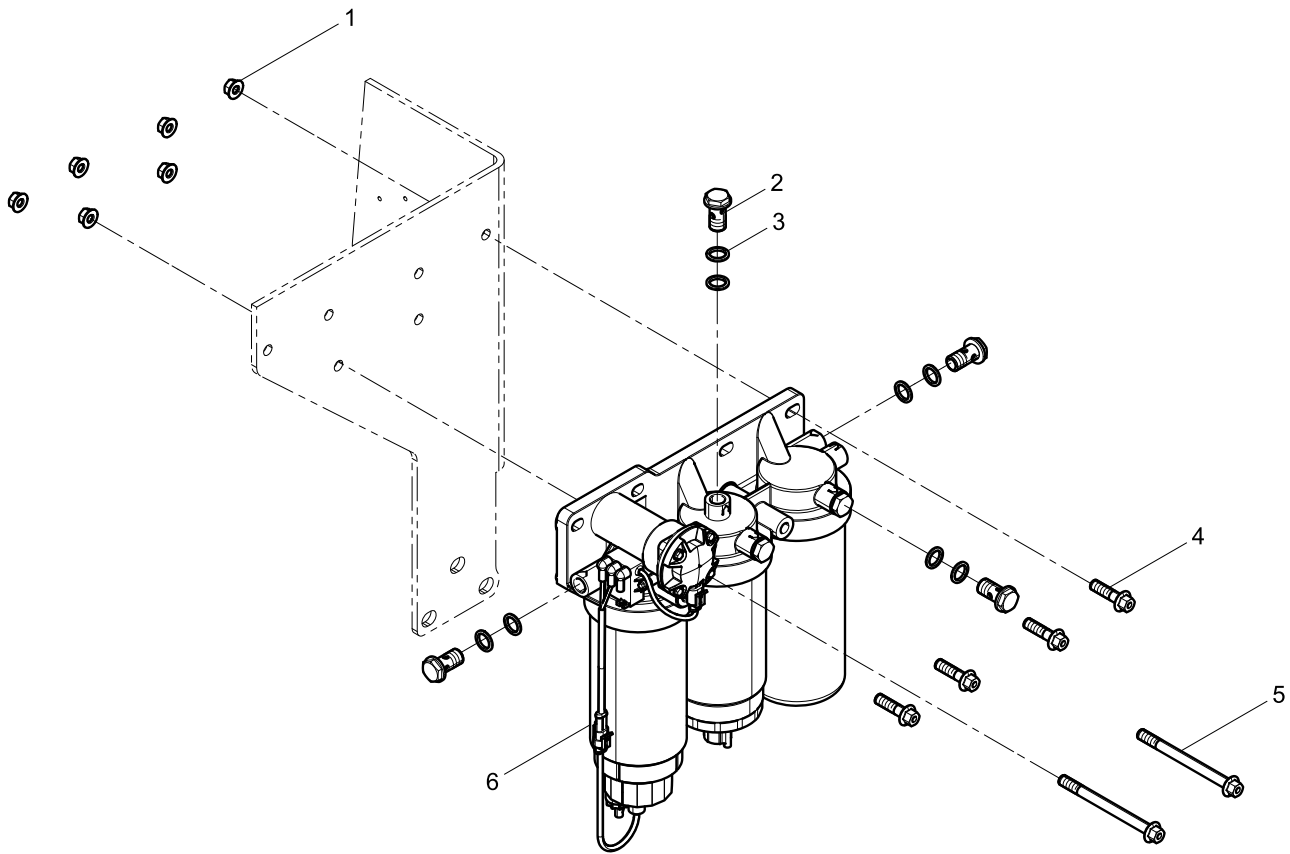
Fuel Supply Pump Group



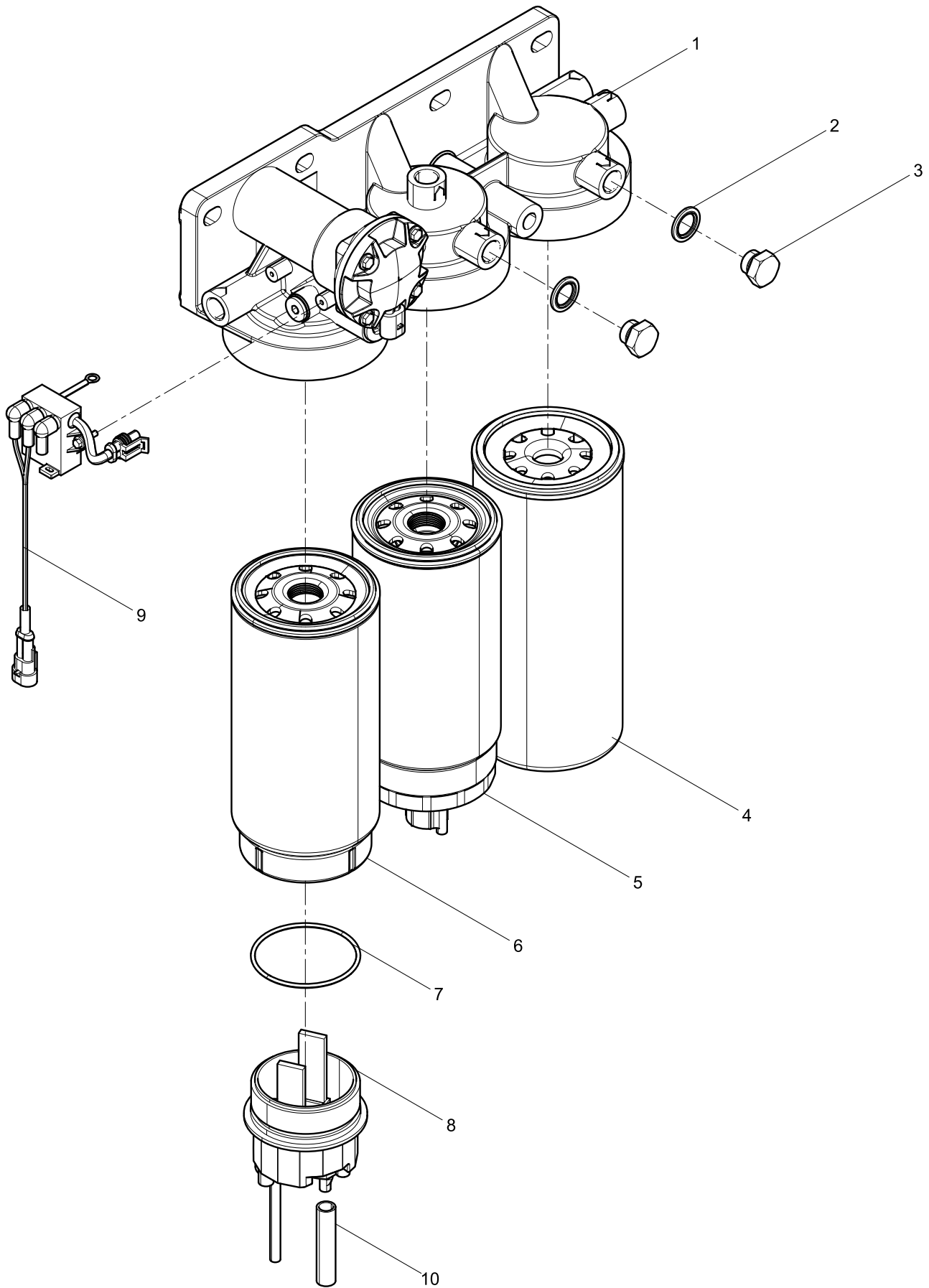
Fuel Supply Pump Group

Pos.	Teile.Number	Amount	Designation
1	90003871248	4	Hexagon Nut
2	13023361	3	Assembled Sealing Washer
3	X6231.180W	1	Gear Type Fuel Supply Pump
4	14052300P	1	Driving disk
5	90011620036	4	Double End Stud
6	612639000049	1	Bolt
7	90014040007	4	Plain Washer
8	90003931102	4	Spring Washer

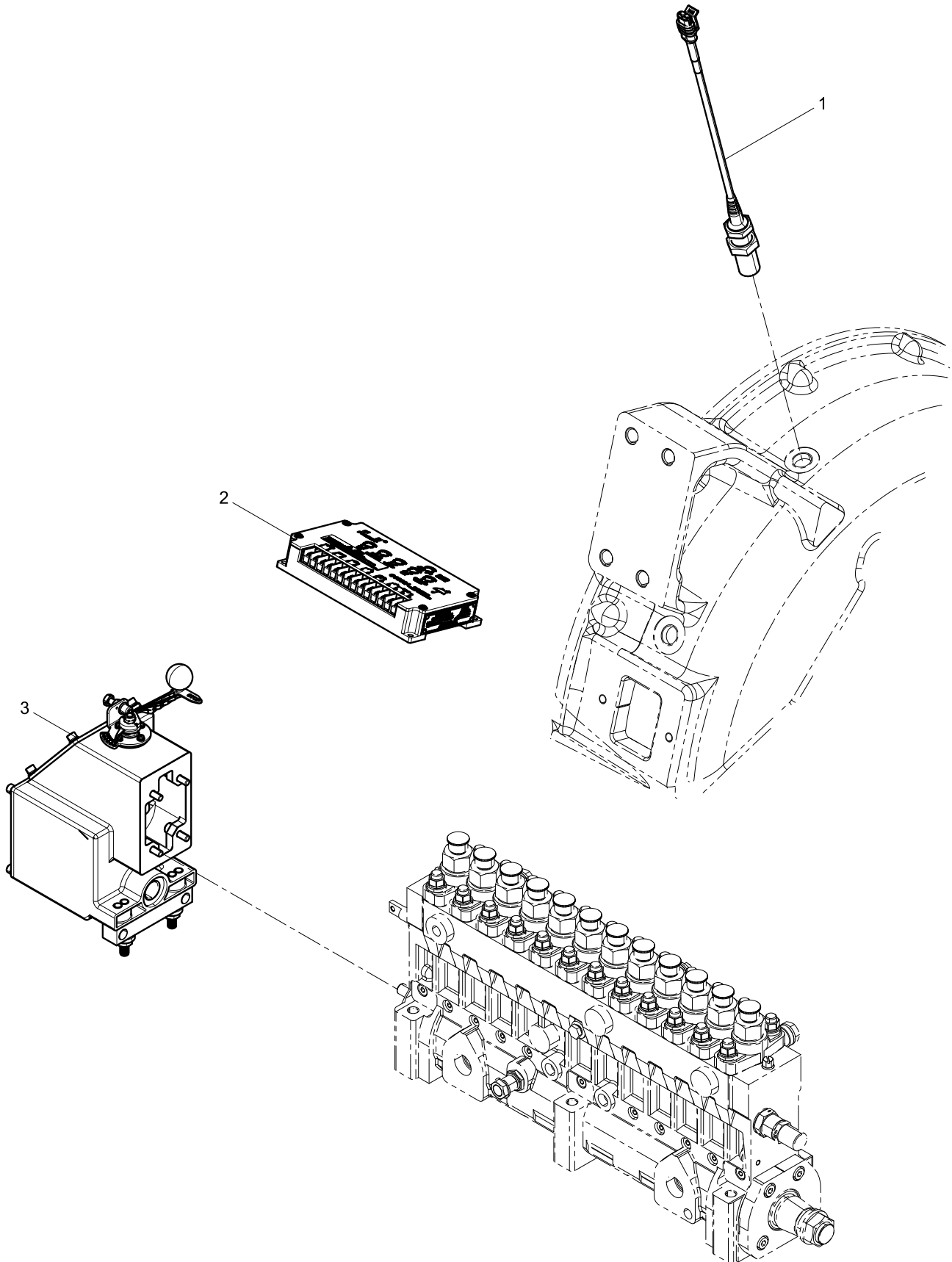
Fuel Filter Group



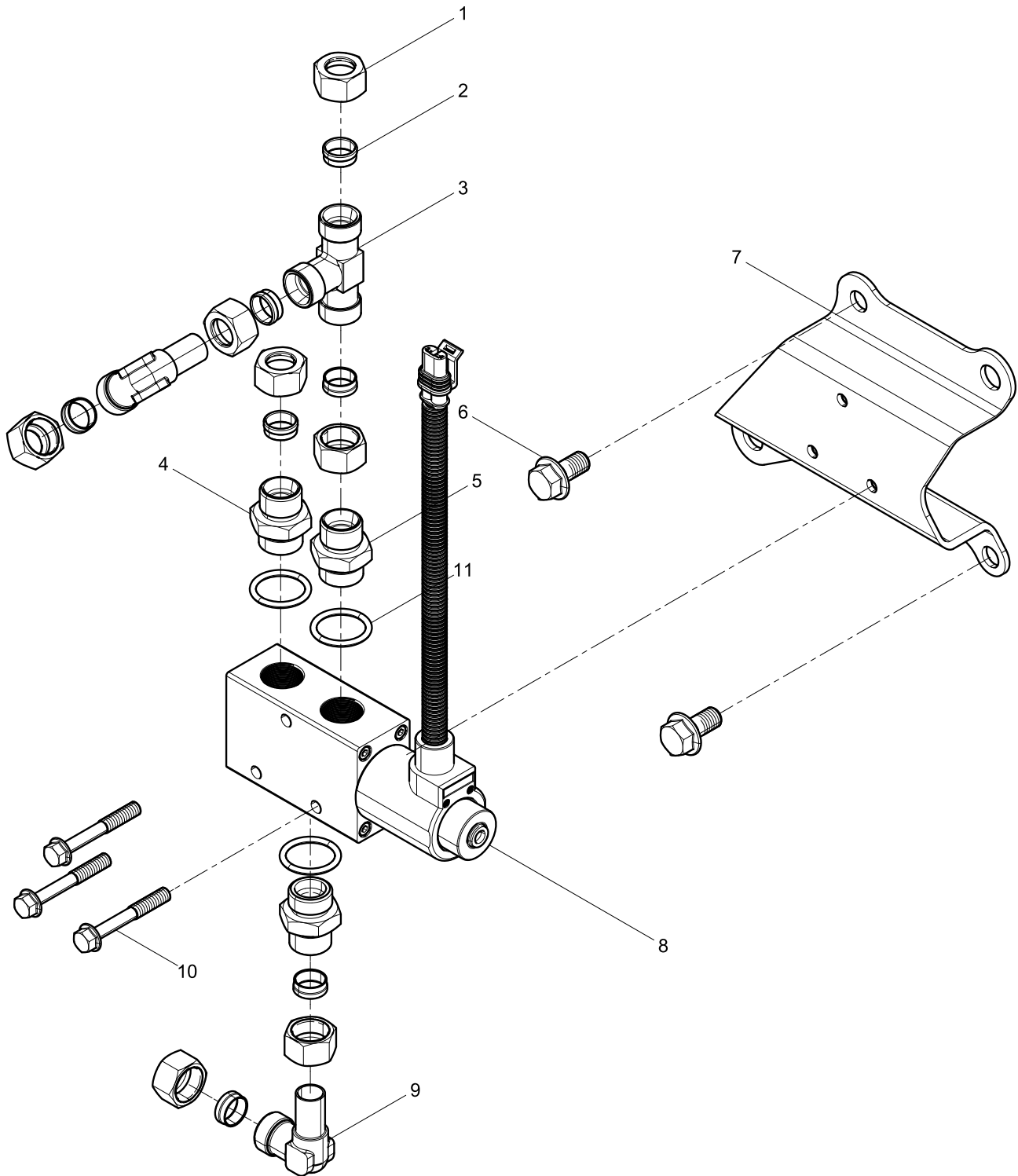
Fuel System Protector



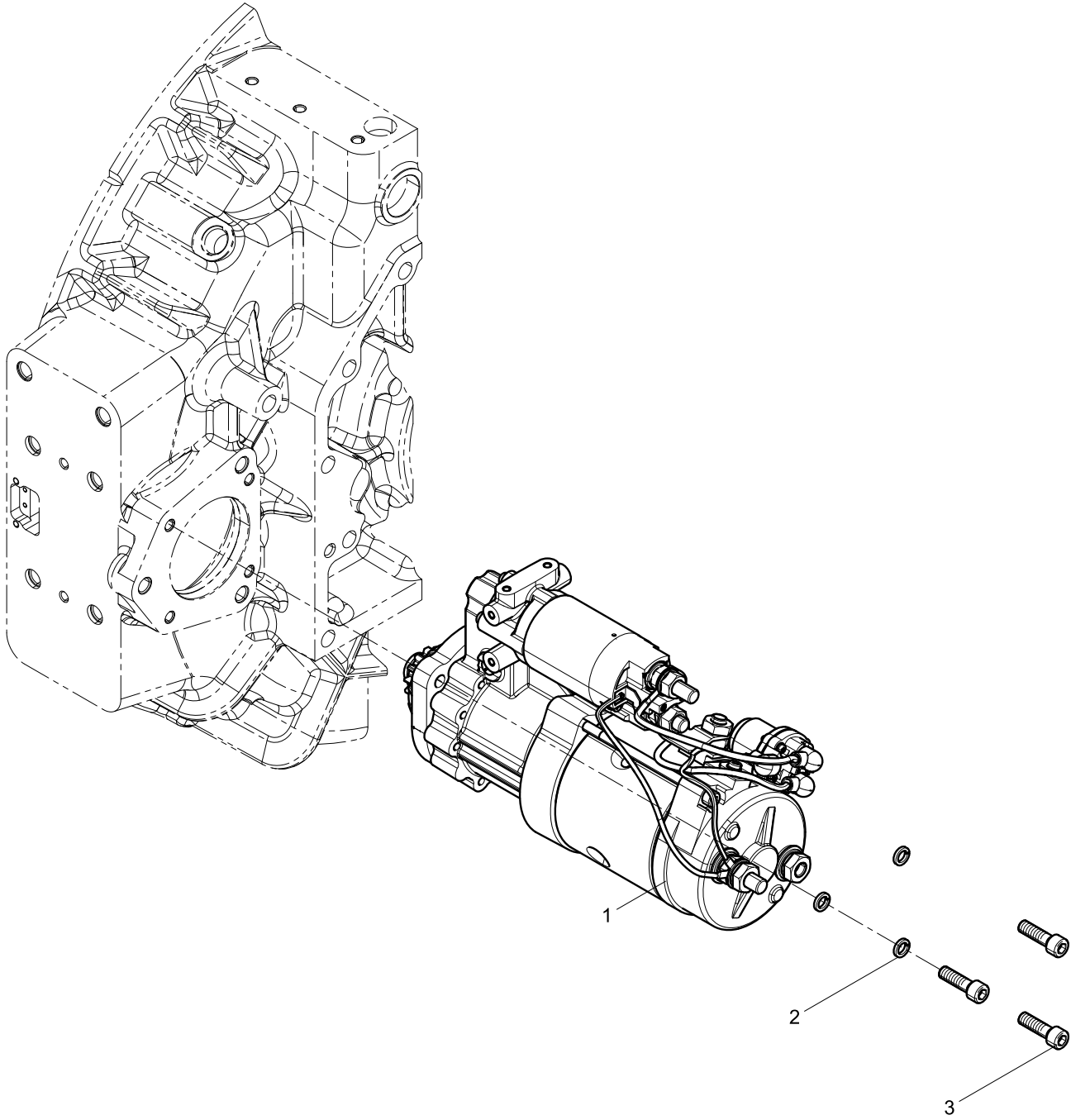
Electronic Governor Group



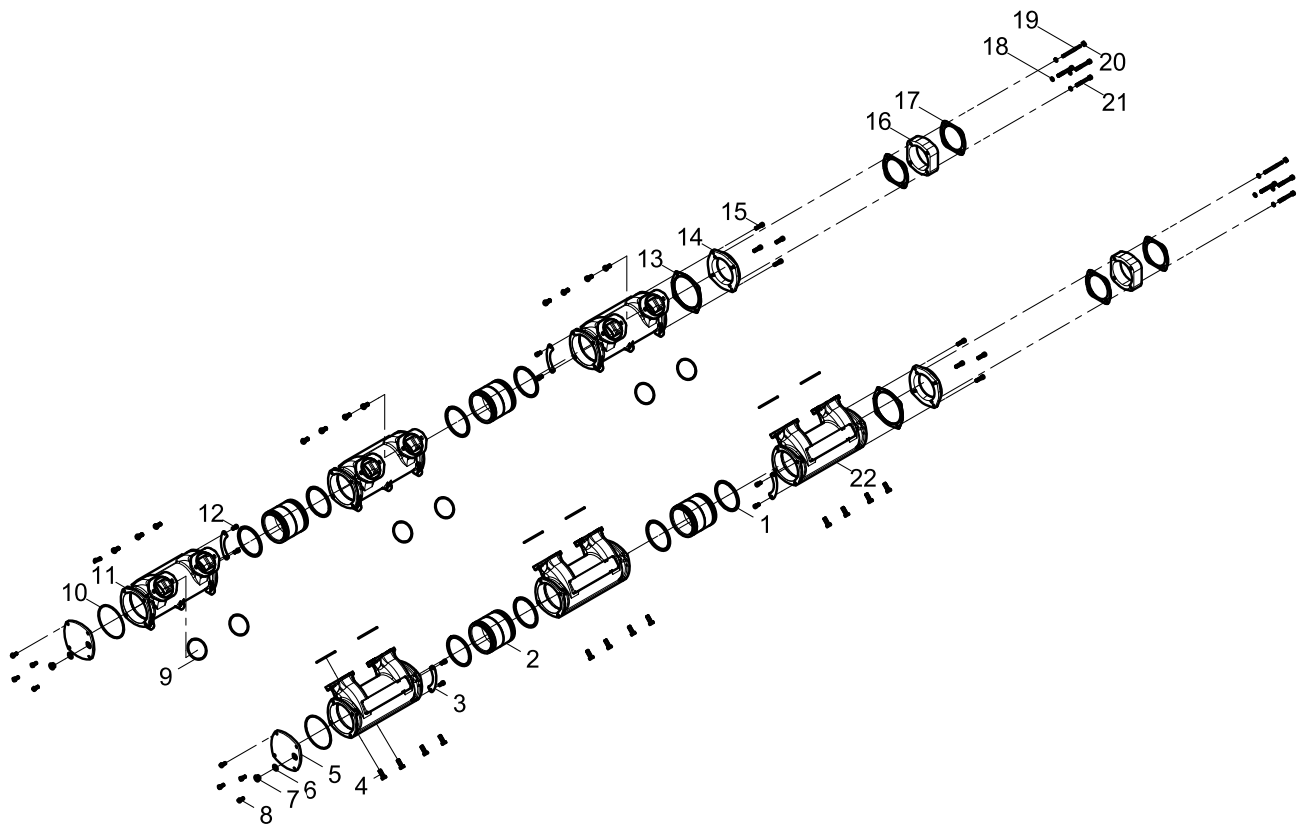
Shut-down Device Group



Starter Motor Group



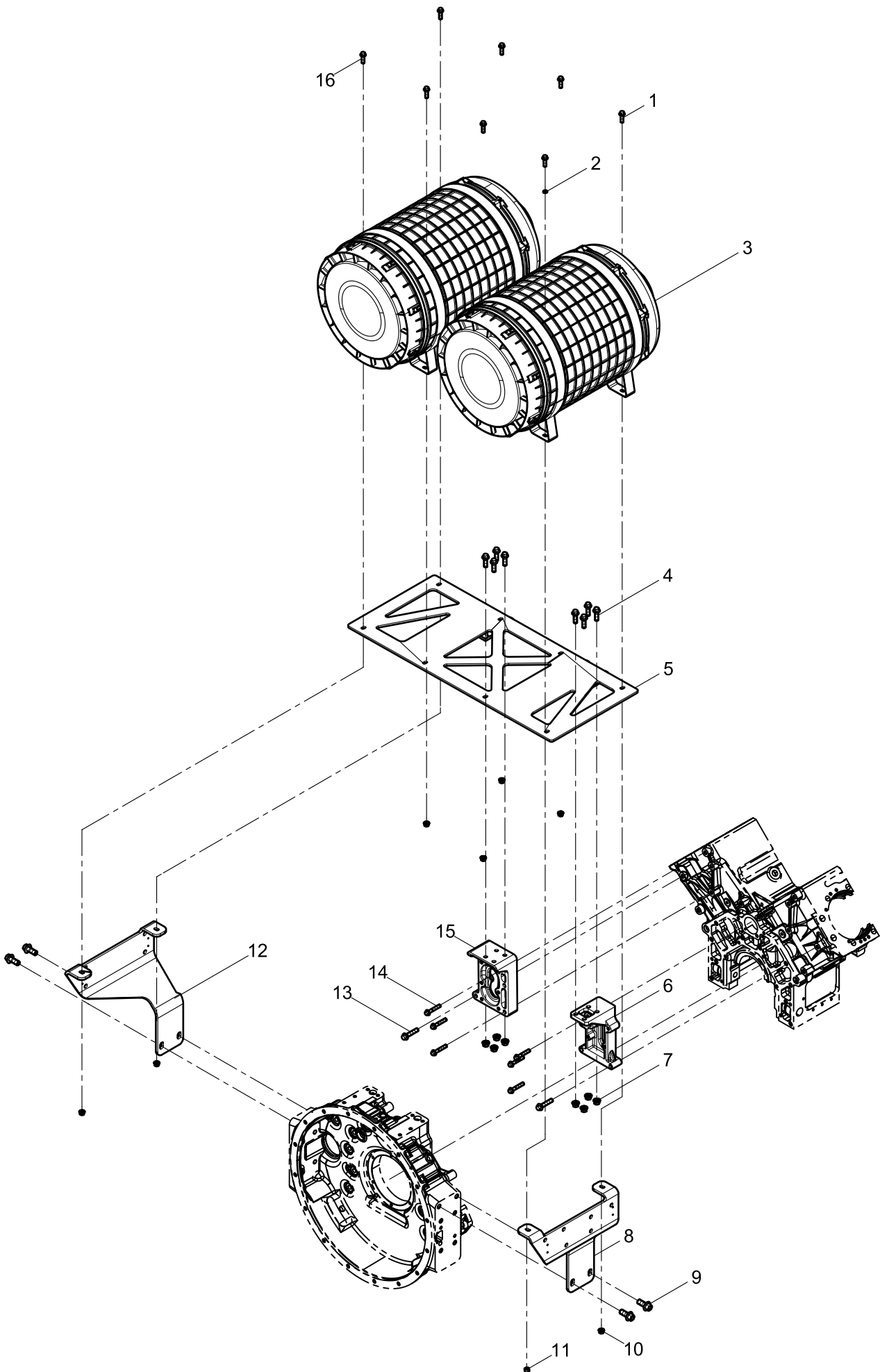
Intake Manifold Group



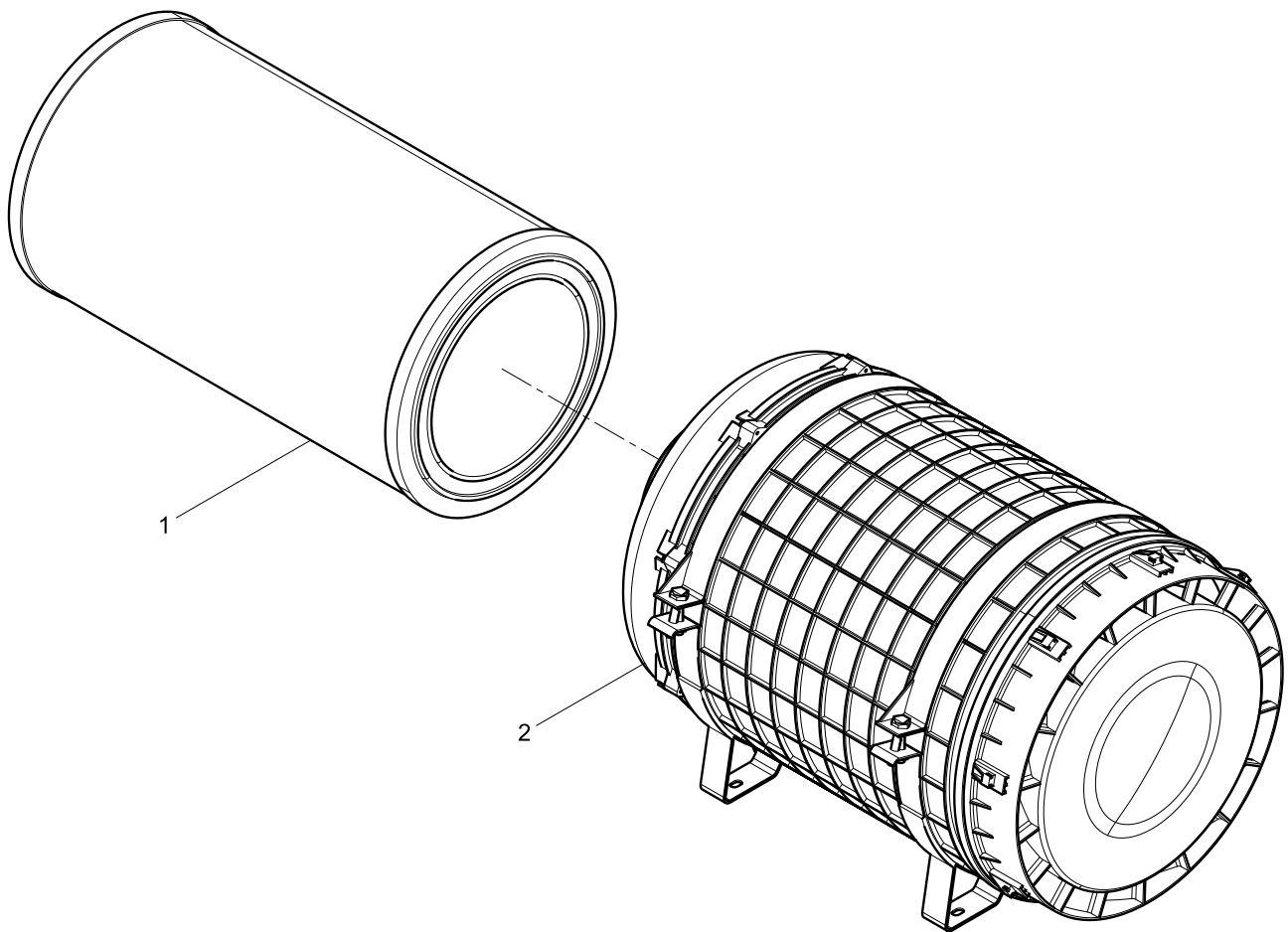
Intake Manifold Group

Pos.	Teile.Number	Amount	Designation
1	90017550022	8	O-Ring
2	15080790N	4	Pipe
3	15080810K	4	Bracket
4	330209000275	24	Hexagon Flange Bolt
5	15080800Z	2	Cover
6	90003098020	6	Washer
7	14400078J	4	Hexagon Taper Screw Plug
8	90003802443	8	Hexagon Head Bolt
9	77712070R	12	Seal Ring
10	90017550023	2	O-Ring
11	1000438768	1	Intake Manifold
12	90013550038	8	Inner Hexagon Socket Head Cap Screw
13	330208000321	2	Gasket
14	330208000320	2	Flange
15	90013550007	8	Inner Hexagon Socket Head Cap Screw
16	1002421730	2	Flange
17	X6231.176W	4	Intake Manifold Gasket
18	90003931102	8	Spring Washer
19	90011620007	2	Double End Stud
20	90012220013	2	Hexagon Nut
21	90003862471	6	Screw
22	15080770R	5	Intake Manifold

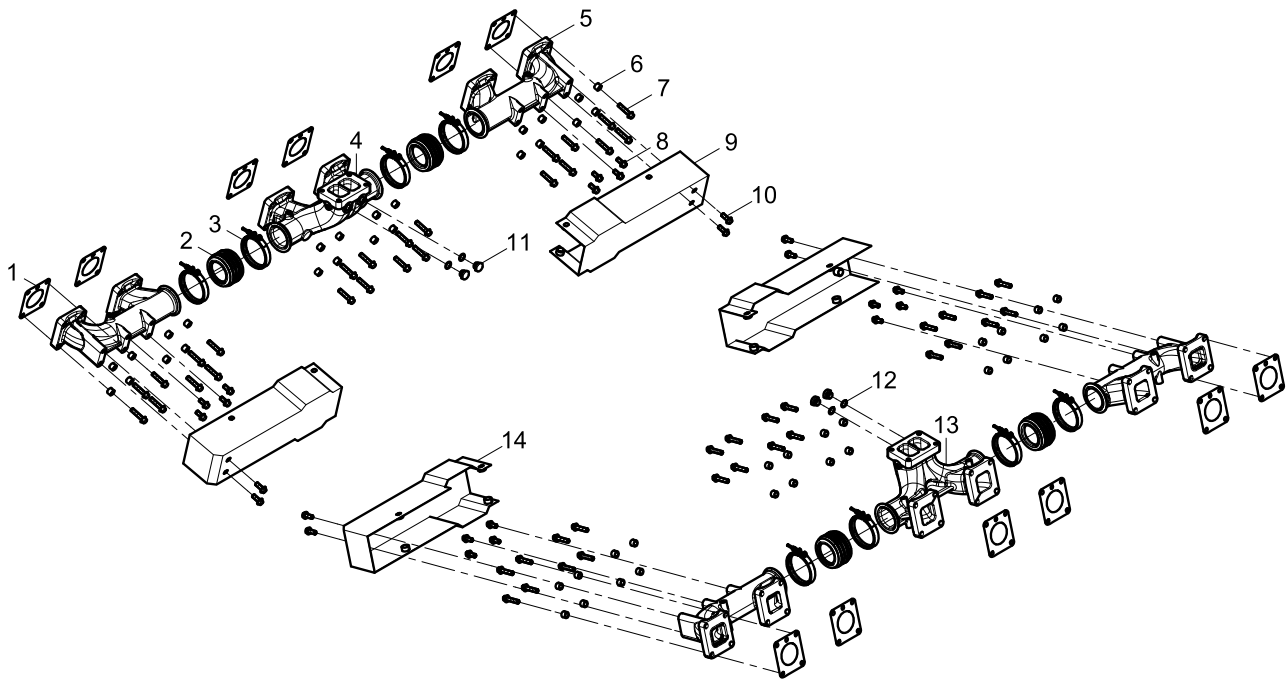
Air Filter Group



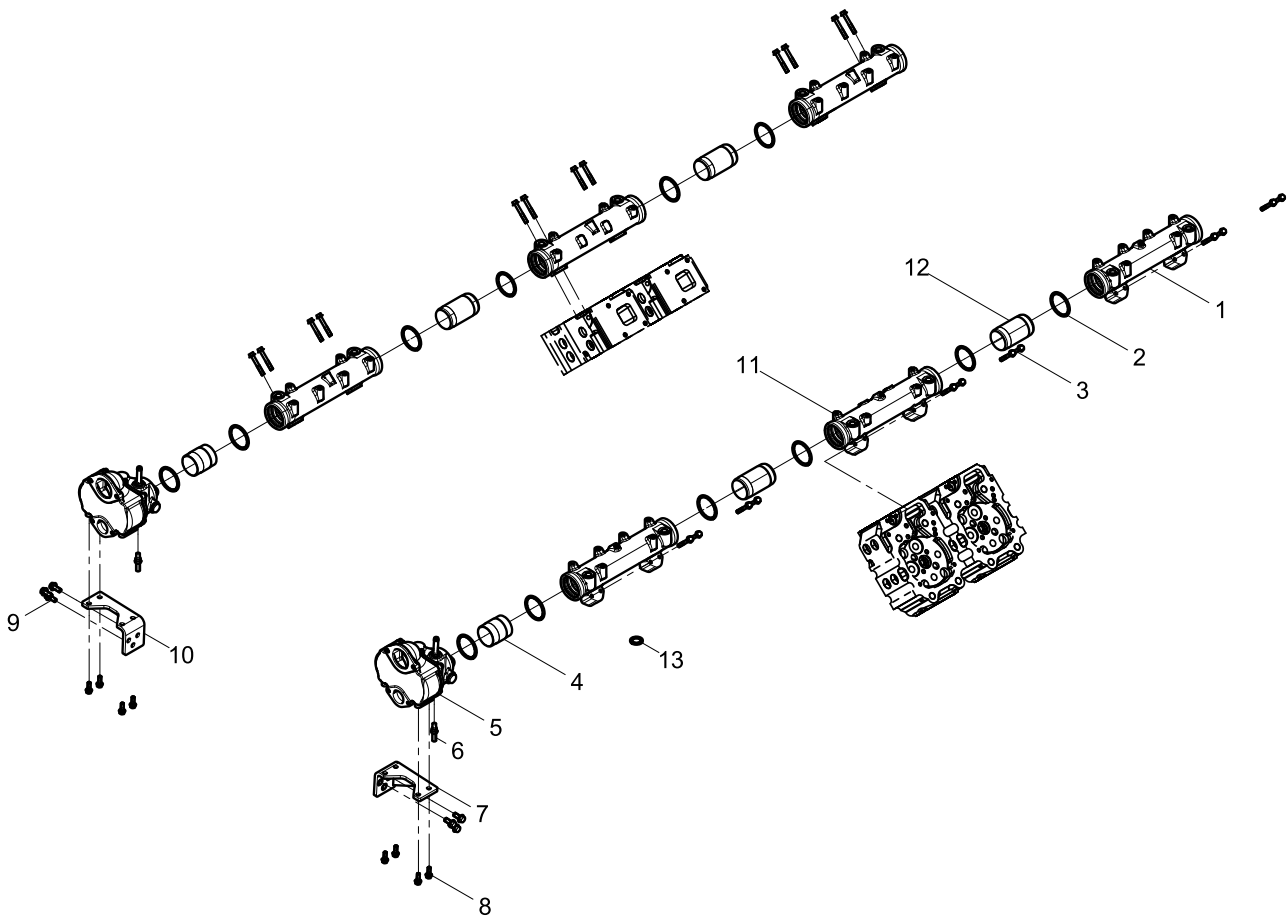
Air Filter



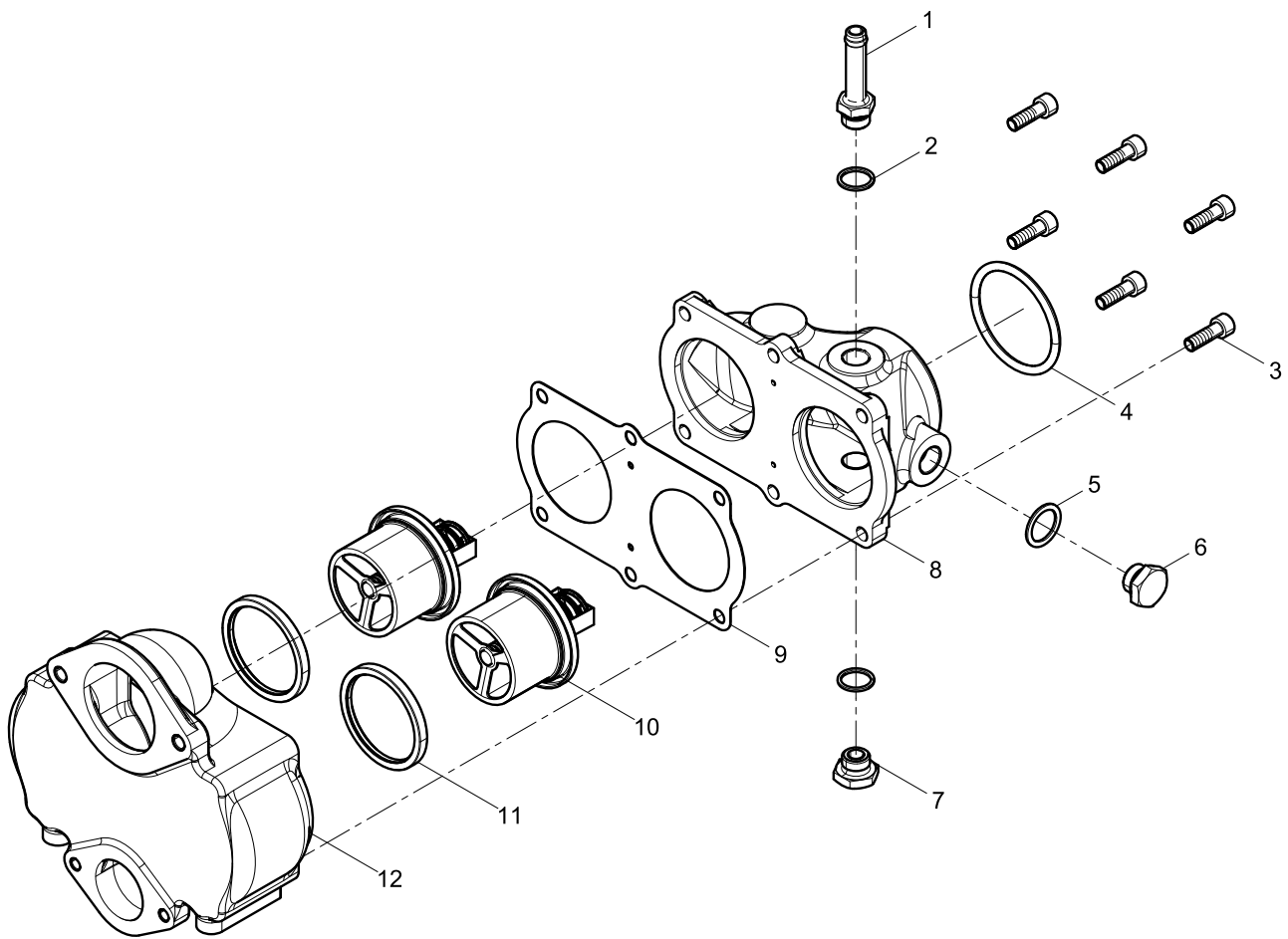
Exhaust Manifold Group



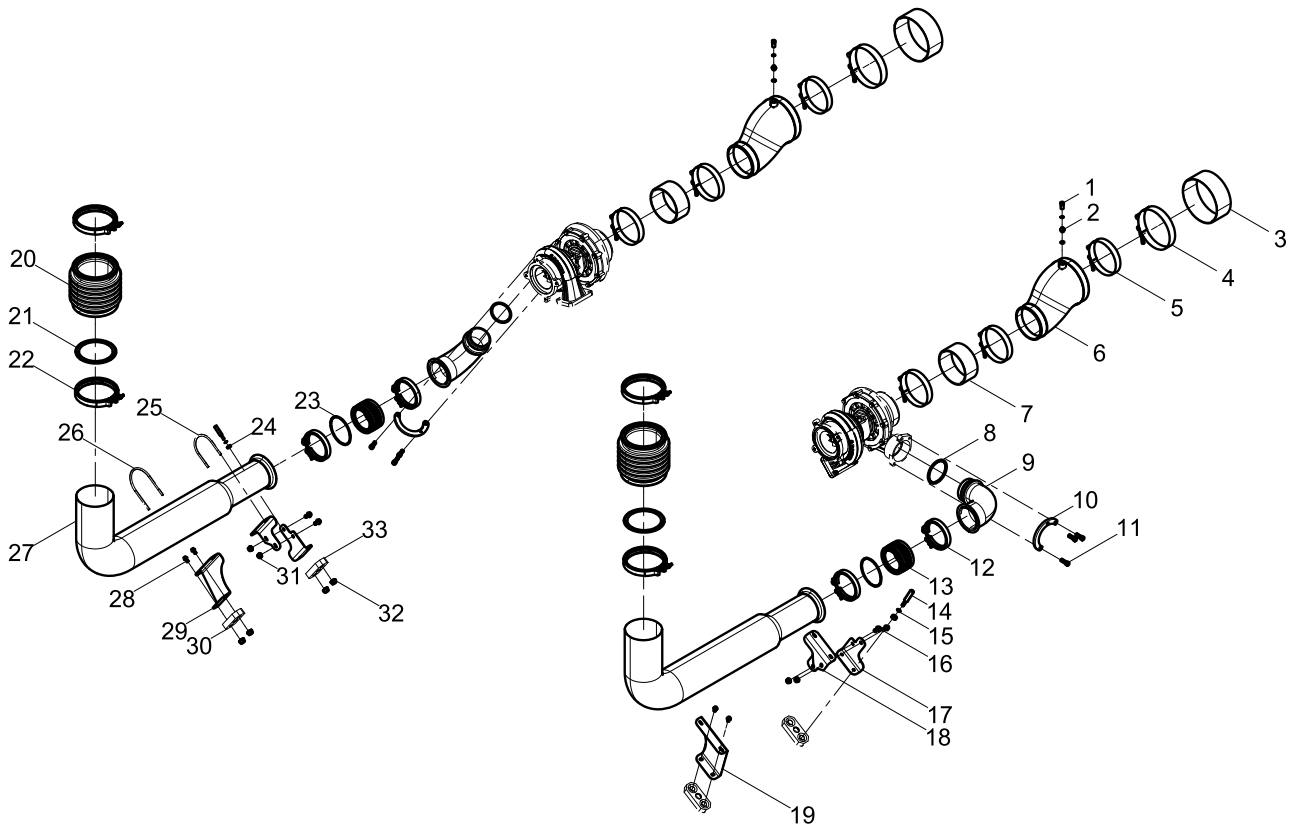
Water Outlet Pipe Group



Thermostat Assembly



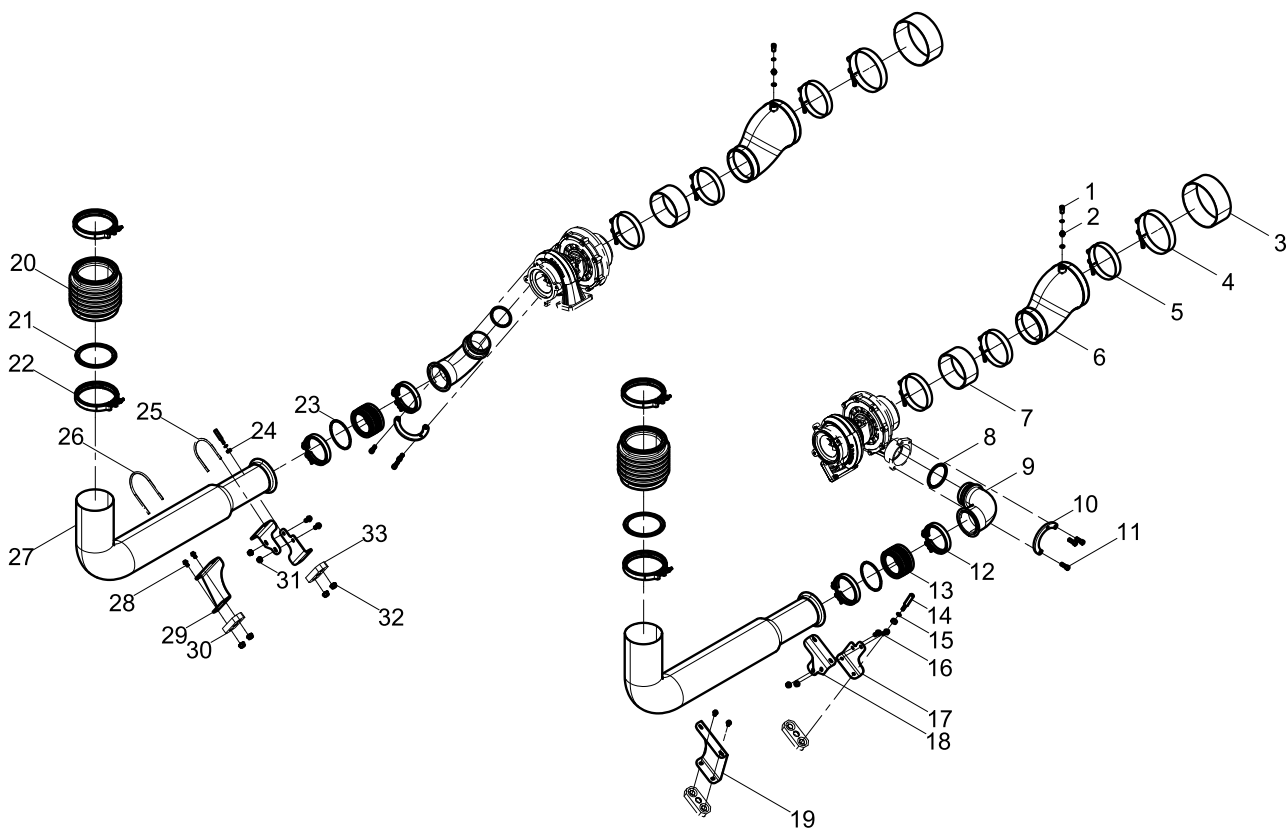
Compressor Pipe Group



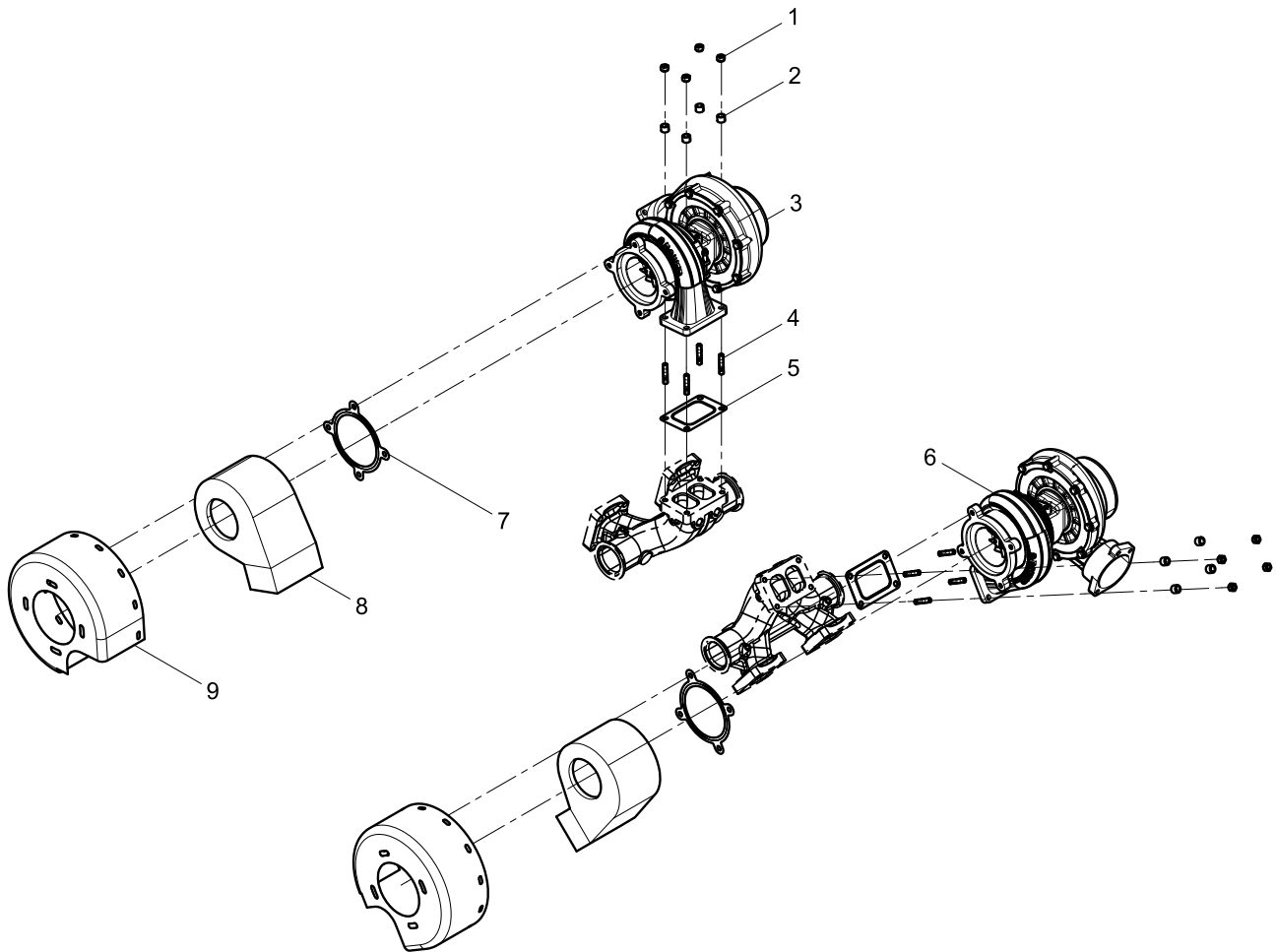
Compressor Pipe Group

Pos.	Teile.Number	Amount	Designation
1	1000644232	2	Intake Resistance Alarm
2	612600115282	2	Transition joint
3	1003083784	2	Air Connecting Rubber Pipe
4	331008000051	4	Clamp
5	X6231.118W	4	Clamp
6	1001374199	2	Intake Connecting Pipe
7	15080881M	2	Air Connecting Rubber Pipe
8	90017550015	2	O-Ring
9	330208000126	2	Inter- cooler Air Pipe
10	15102460S	2	Plate
11	90013050042	6	Inner Hexagon Socket Head Cap Screw
12	X6209.104	4	Clamp
13	330208000127	2	Expansion Pipe
14	612600112056	2	Back-up Block
15	90003932023	2	Wave Spring Washer
16	90011430007	4	Hexagon Flange with Tooth Bolt
17	330208000373	2	Inter-cool Pipe Bracket
18	330208000234	2	Inter-cool Pipe Bracket
19	330208000298	1	Inter-cool Pipe Bracket
20	1001416305	2	Expansion Pipe
21	330208000306	2	Gasket
22	1003153650	2	Clamp
23	90017550021	2	O-ring
24	14101400J	2	Washer
25	612600120276	2	Bolt
26	330208000300	2	Bolt
27	330208000312	2	Inter-cooler Air Pipe Assembly

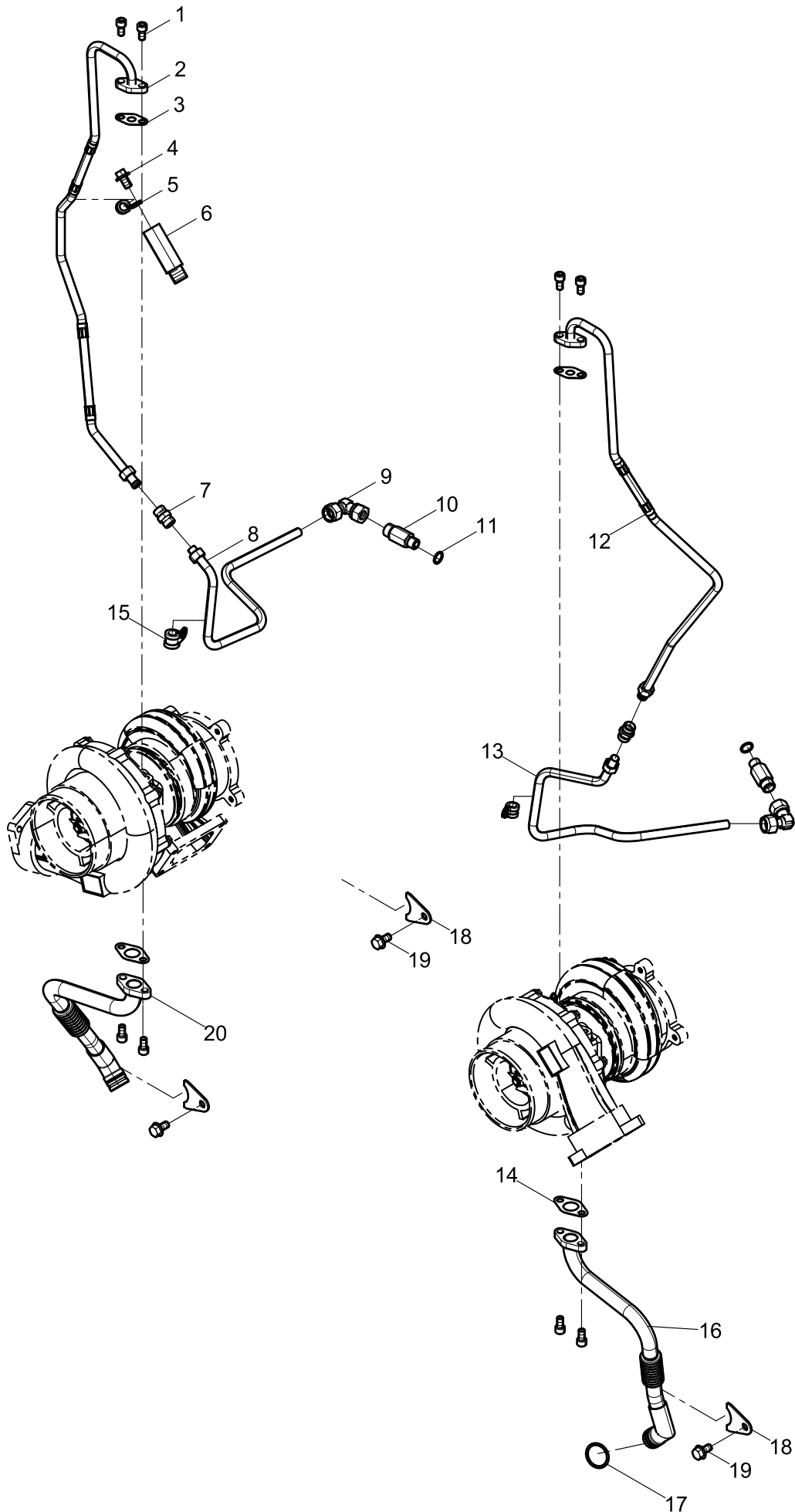
Compressor Pipe Group



Turbocharger Group



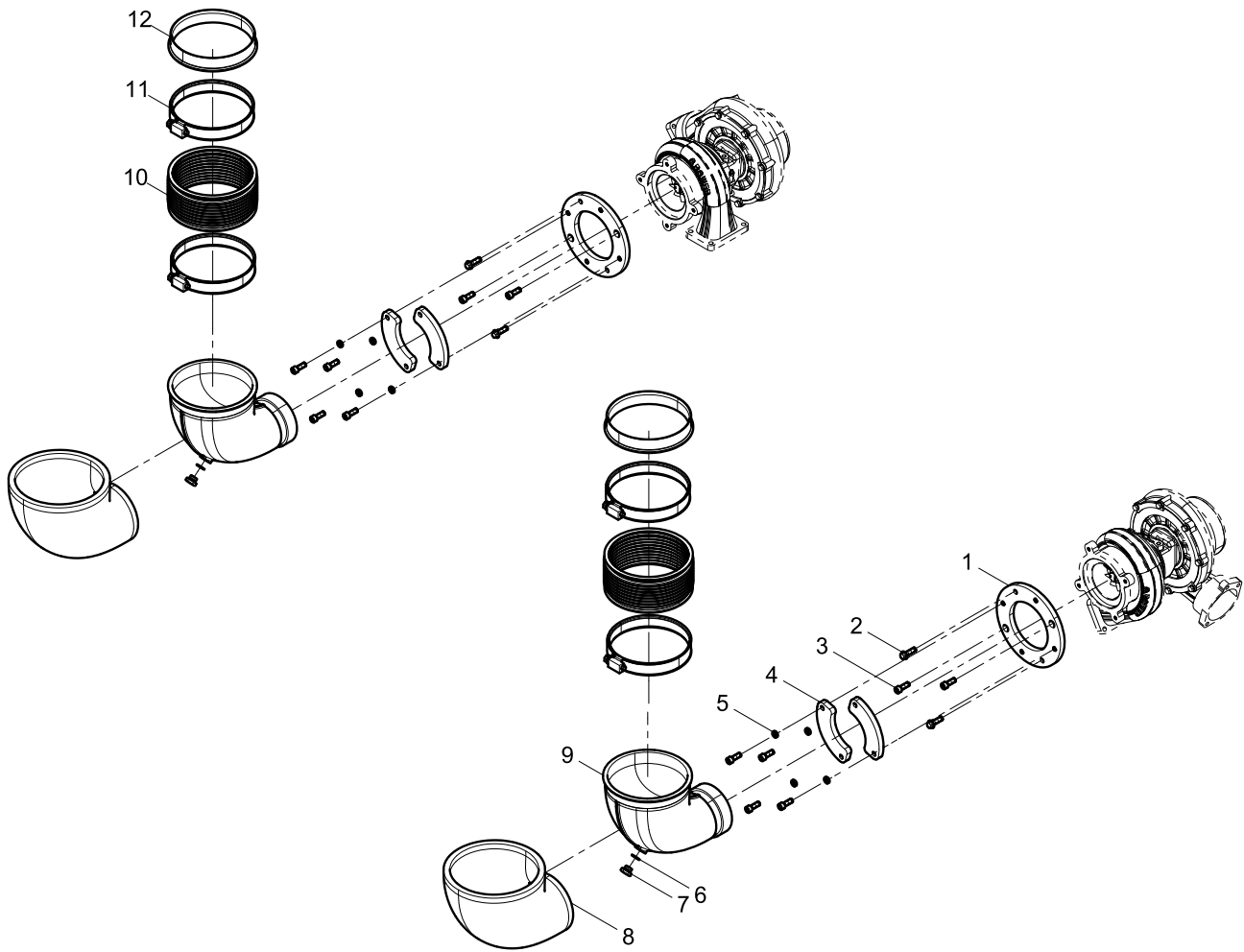
Turbocharger Oil Pipe Group



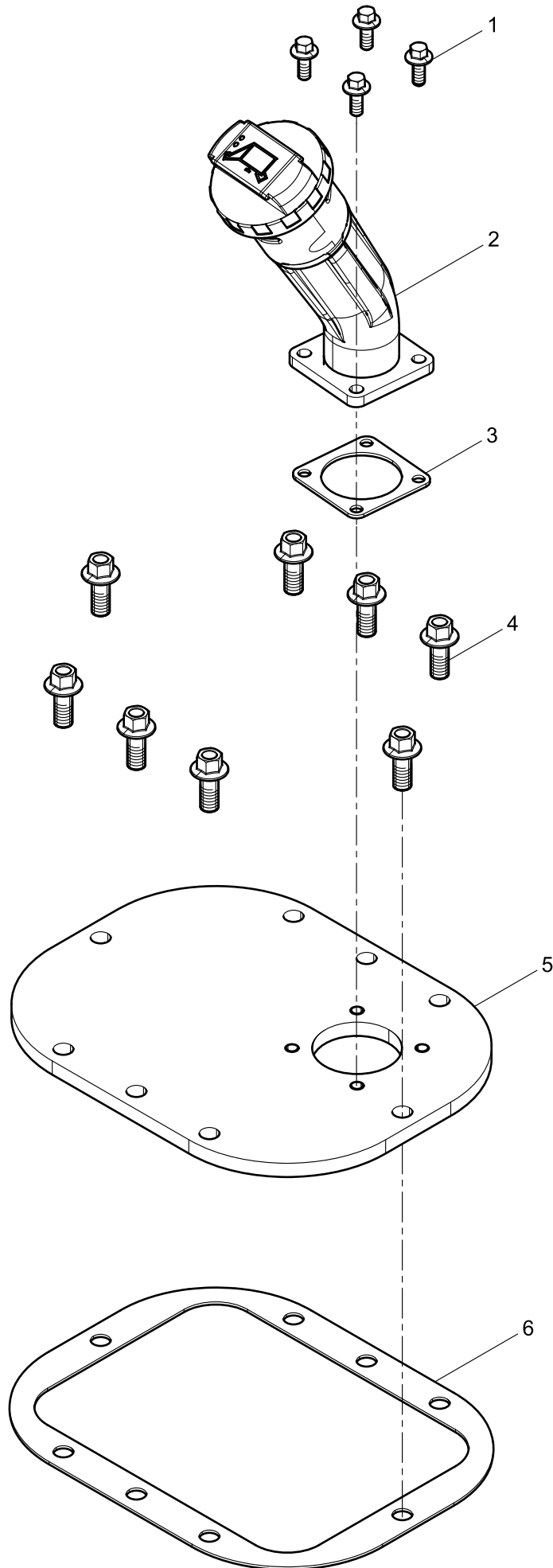
Turbocharger Oil Pipe Group

Pos.	Teile.Number	Amount	Designation
1	90013050070	8	Inner Hexagon Socket Head Cap Screw
2	330210000133	1	Turbocharger Oil Pipe Assembly
3	1001690966	2	Turbocharger Oil Pipe Gasket
4	612600114376	2	Hexagon Flange with Tooth Bolt
5	14400477S	3	
6	X6231.760W	1	Back-up Block
7	15100330C-3	2	Joint Body
8	330210000135	1	Turbocharger Oil Pipe Assembly
9	77719780X-3	2	Joint Body
10	15041651W	2	Pipe Joint
11	13023362	2	Assembled Sealing Washer
12	330210000124	1	Turbocharger Oil Pipe Assembly
13	330210000126	1	Turbocharger Oil Pipe Assembly
14	331010000301	4	Turbocharger Oil Pipe Gasket
15	330210000162	1	Pipe Clamp Assembly
16	1003024572	1	Turbocharger Oil Pipe Assembly
17	90017510058	2	O-ring
18	331010000234	2	Plate
19	9000000286	2	Hexagon Flange Bolt
20	1003024561	1	Turbocharger Oil Pipe Assembly

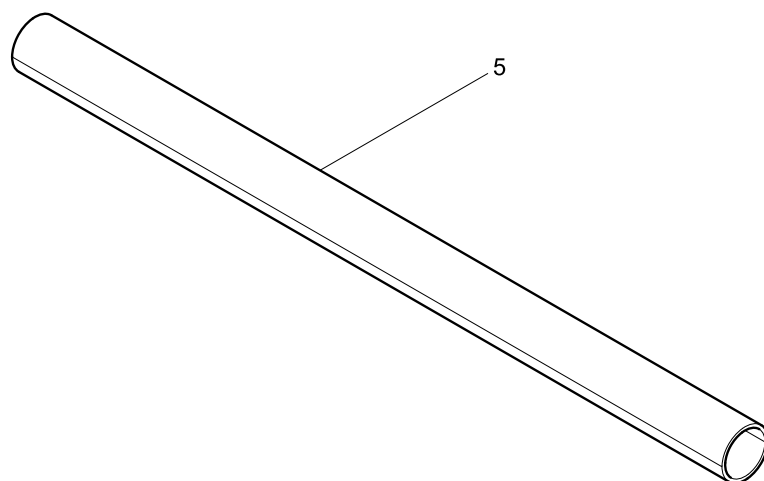
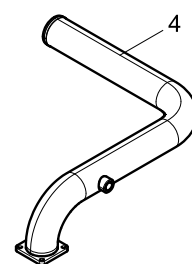
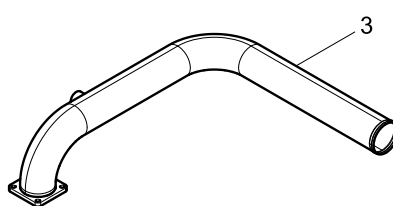
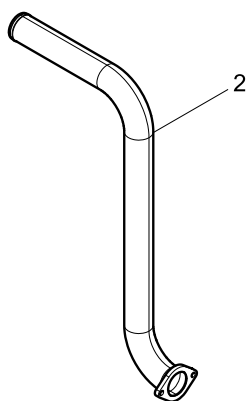
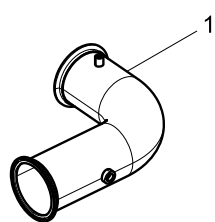
Connection syphon group



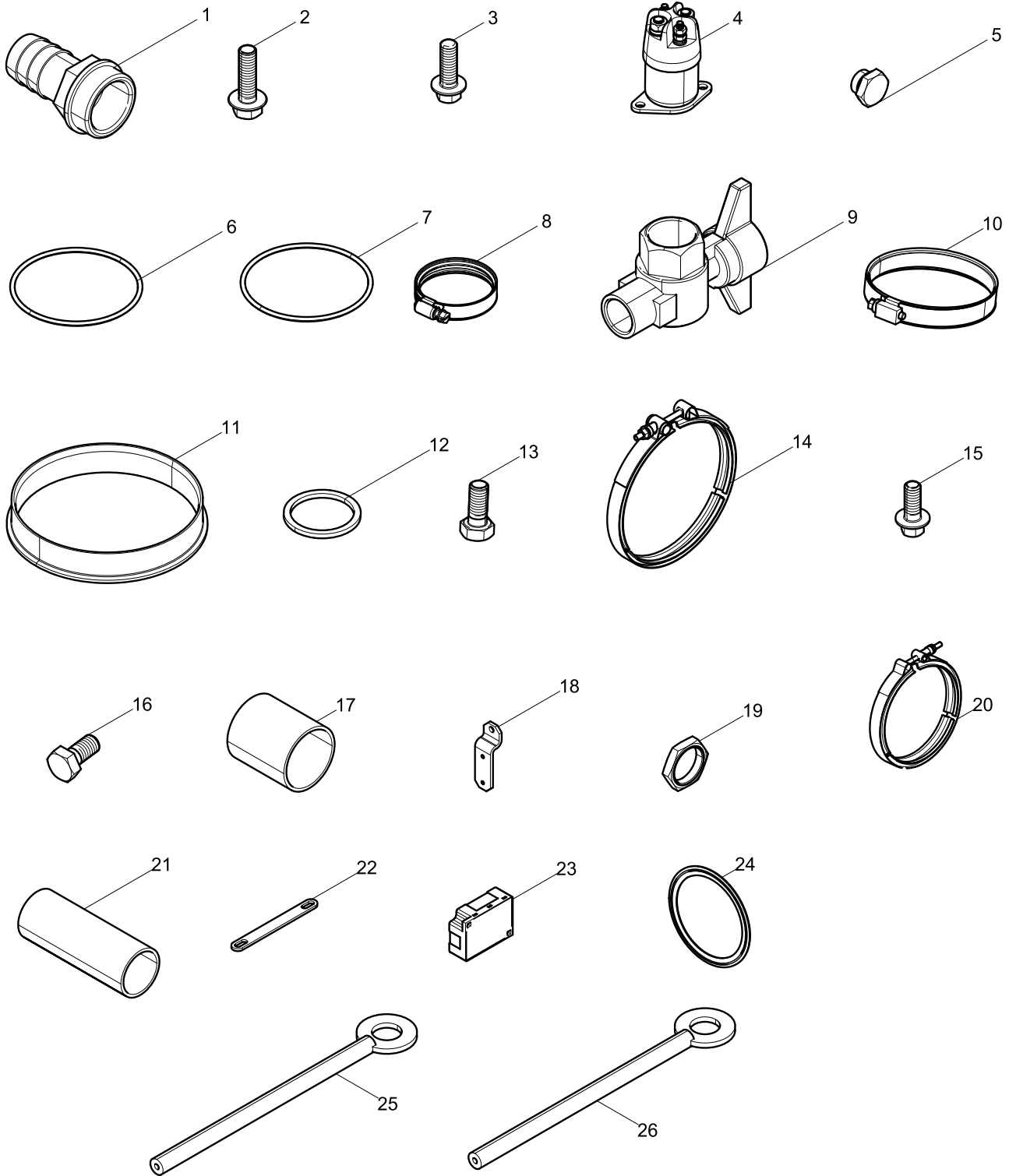
Oil Filling Tube Group



Packing Box Chassis Parts Group



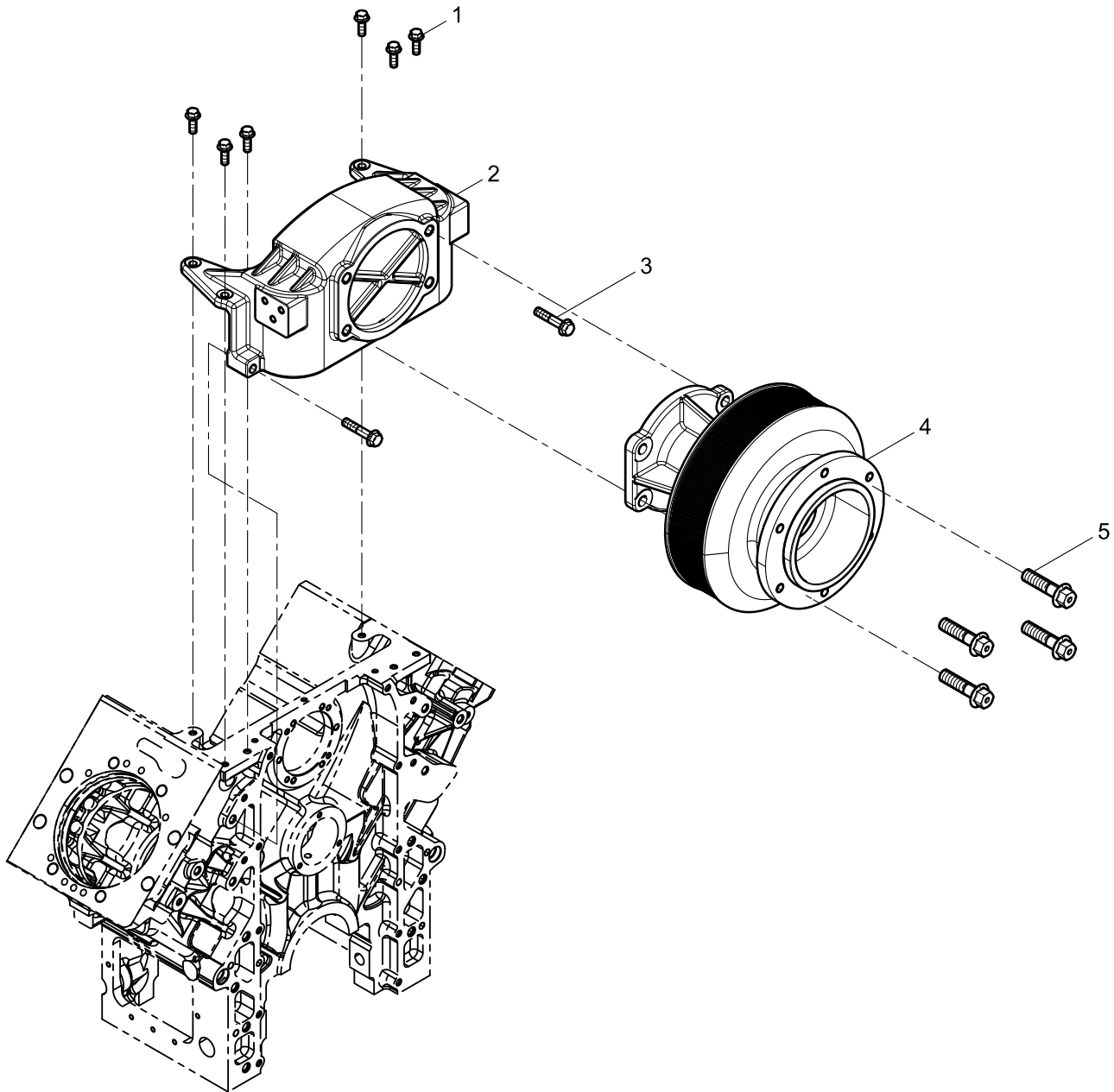
Parts Box Group



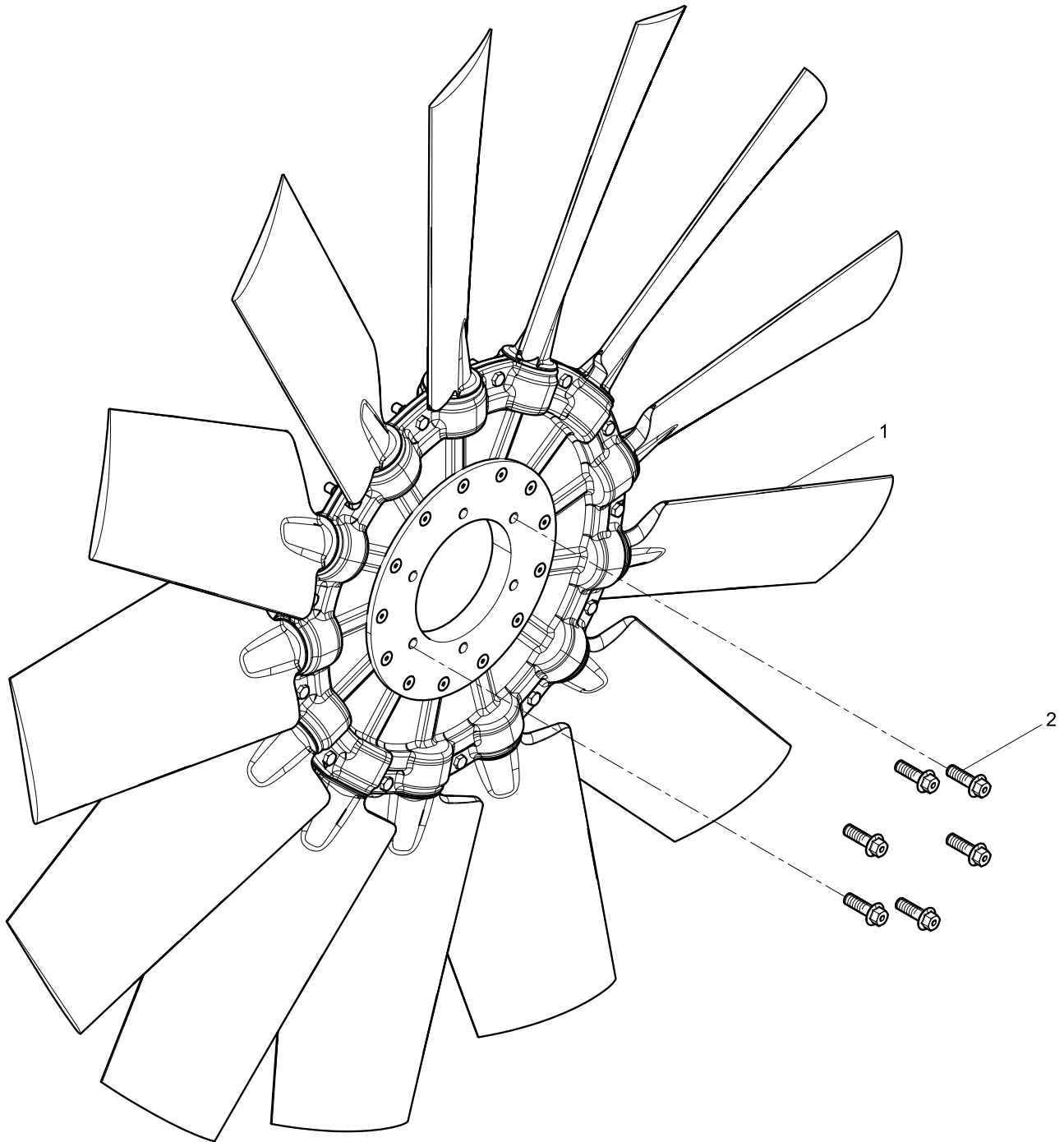
Parts Box Group

Pos.	Teile.Number	Amount	Designation
1	15035710N	2	Pipe Joint
2	90011400006	8	Hexagon Flange Bolt
3	90011430017	4	Hexagon Flange with Tooth Bolt
4	612630080076	2	Relay
5	11230560F	2	Screw Plug
6	90017510096	2	O-ring
7	9000000467	2	O-ring
8	612600062209	4	Clamp
9	77736060S	2	Valve Core
10	612600062212	4	Clamp
11	1001247080	4	Flange
12	90003098020	2	Washer
13	90011270060	4	Hexagon head bolt
14	330209000144	4	Clamp
15	90011430016	16	Hexagon Flange with Tooth Bolt
16	90003802411	2	Hexagon Head Bolt
17	1003060848	2	Coolant Connecting Rubber Pipe
18	330208000347	2	Bracket
19	1000593609	2	Thin Nut for Connector
20	1003153650	6	Clamp
21	1003060748	2	Coolant Connecting Rubber Pipe
22	330208000147	8	Plate
23	1000728423	2	Flame Preheater Cold Starter Controller
24	330208000306	6	Gasket
25	1003465436	1	Power Line
26	1003465293	1	Power Line

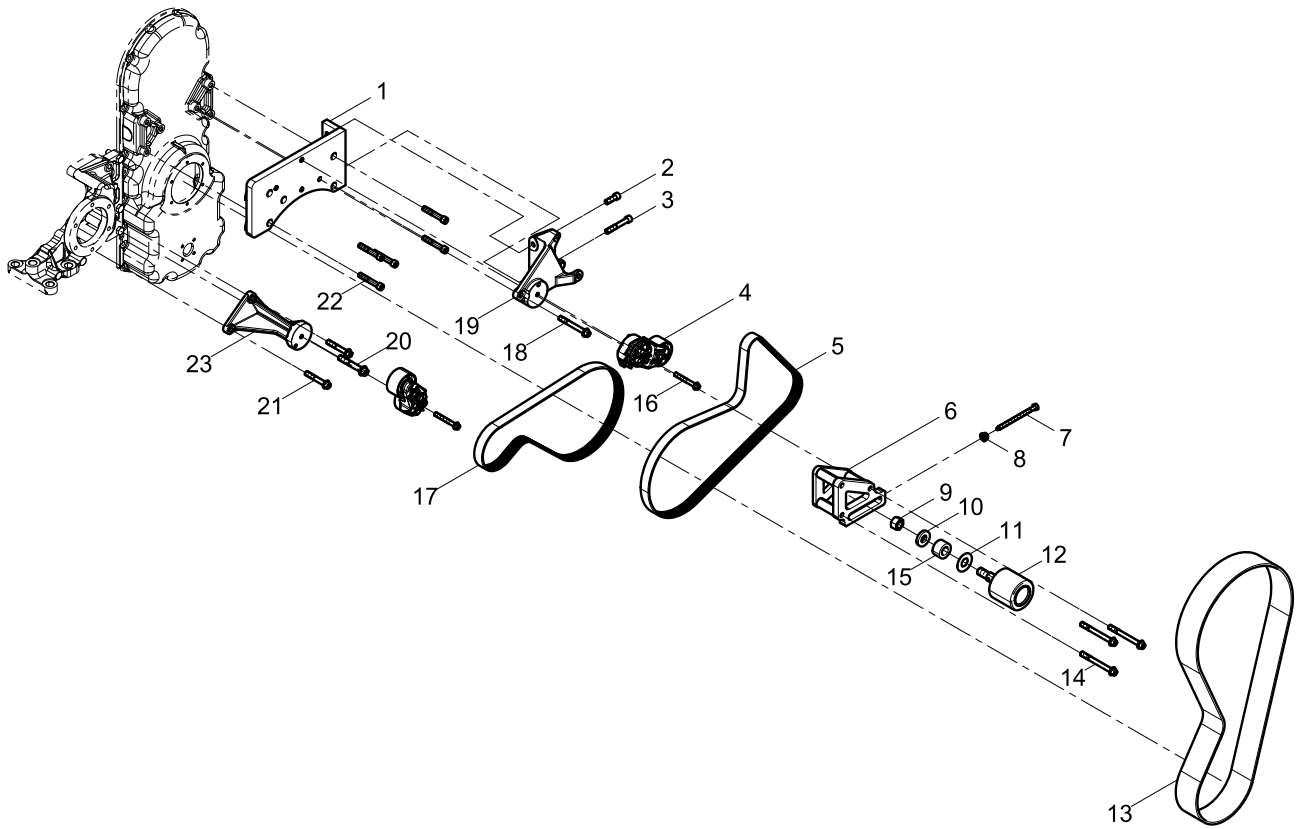
Fan Bracket Group



Fan and Hub Group



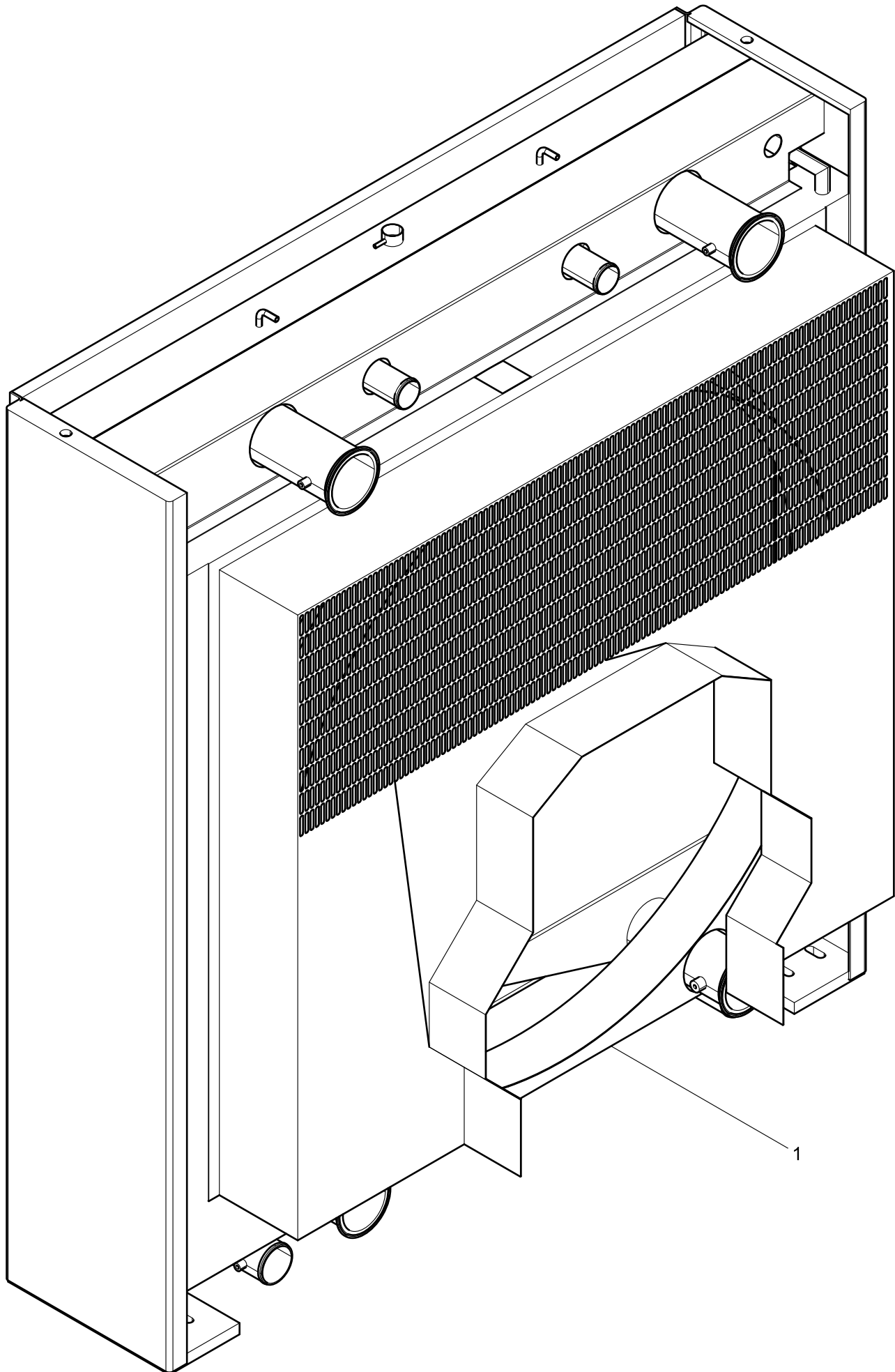
Tensioner And Belt Group



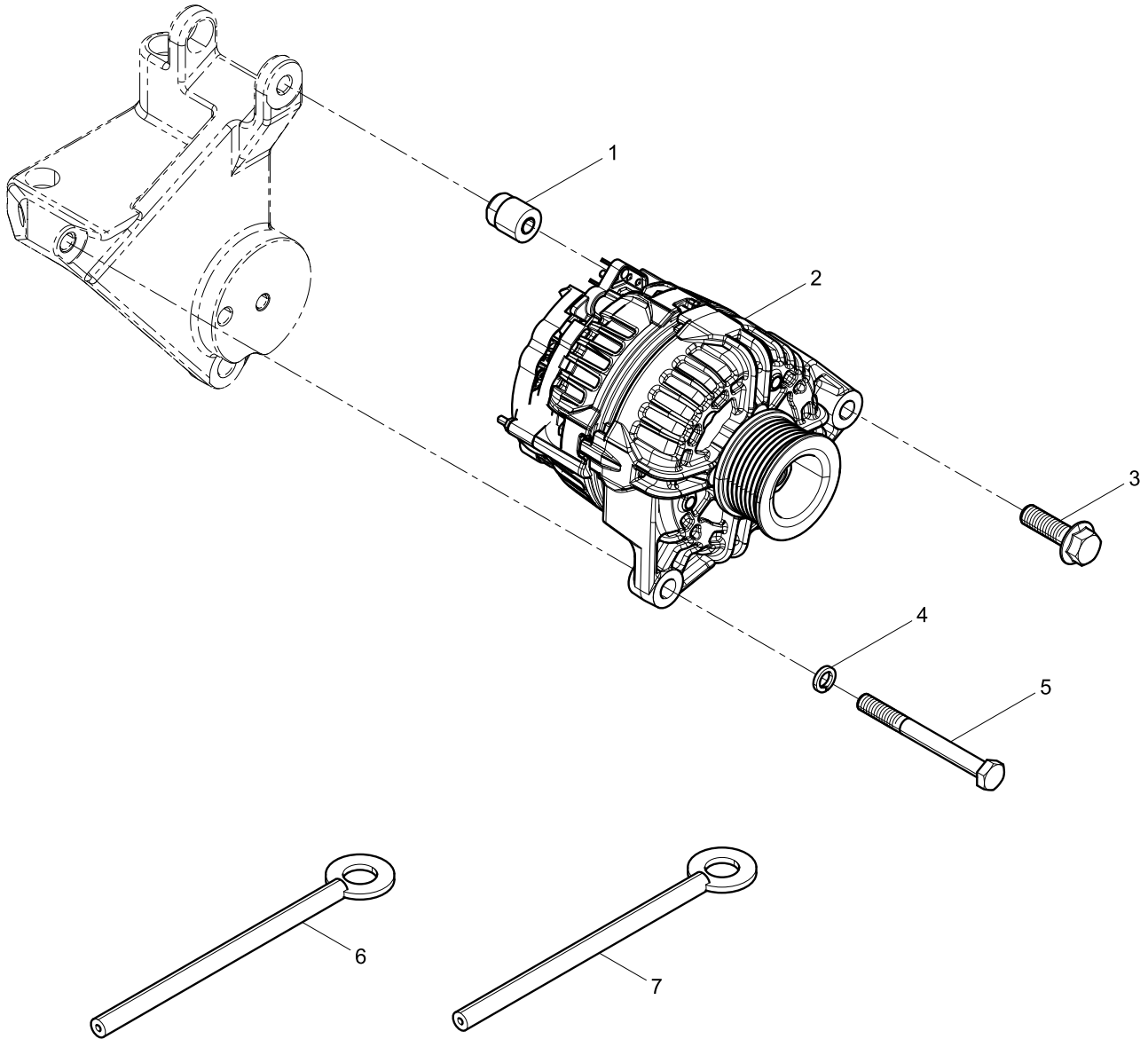
Tensioner And Belt Group

Pos.	Teile.Number	Amount	Designation
1	330225000024	1	Bracket
2	90013550014	1	Screw
3	90013050081	1	Inner Hexagon Socket Head Cap Screw
4	1003238325	2	Tensioner
5	1000593871	1	Poly V Belt
6	330225000010	1	Tensioner Bracket
7	330225000017	1	Adjusting Screw
8	90012290007	1	Hexagon Flange Nut
9	1000391358	1	30°Flange Locknut
10	1000380600	1	Pad
11	330225000027	1	Ring
12	330225000025	1	Tensioner Assembly
13	1000593500	1	Poly V Belt
14	9000000169	3	Hexagon Flange Bolt
15	330225000028	1	Sleeve
16	9000000325	2	Hexagon Flange Bolt
17	1000593867	1	Poly V Belt
18	9000000700	1	Hexagon Flange Bolt
19	330225000022	1	Alternator Bracket
20	9000000701	1	Hexagon Flange Bolt
21	90011420009	2	Hexagon Flange Bolt
22	90013050182	5	Inner Hexagon Socket Head Cap Screw
23	330225000009	1	Tensioner Bracket

Separate Delivery Parts Group Attached to Engine



Alternator Group



SHANDONG HEAVY INDUSTRY INDIA PVT. LTD.
S. NO 280/281, Phase II, Hinjewadi, Village Mann
Tal - Mulshi, Dist - Pune. 411 057
Maharashtra, India.

This manual is for reference only,
product parameters are subject to alteration
without notice,
whichever is the physical product.