



**BAUDOUIN DIESEL PARTS CATALOGUE  
6M21G440-5E3**

 **MOTEURS**  
**Baudouin**

## Preface

# PREFACE

This illustrated parts manual is specially prepared for customers to facilitate the use of 6M21 series engine in operation and maintenance.

The illustrations are grouped under the heading of each assembly and numbered individually. Part.

No., Quantity, Model, English designation, Chinese designation and so on are written in the parts list . The parts catalogue include detailed assembling parts list of engine ,some parts can not be sold ,if you want to know selling part matters, please ask SHIG India.

With the development of technology and production, the versions of the engine will be increased, so the catalogue will be revised. Please pay attention to our revised edition. After service of this product is authorized to SHIG India , Consumers can acquire information of this product through [www.shigindia.com](http://www.shigindia.com).

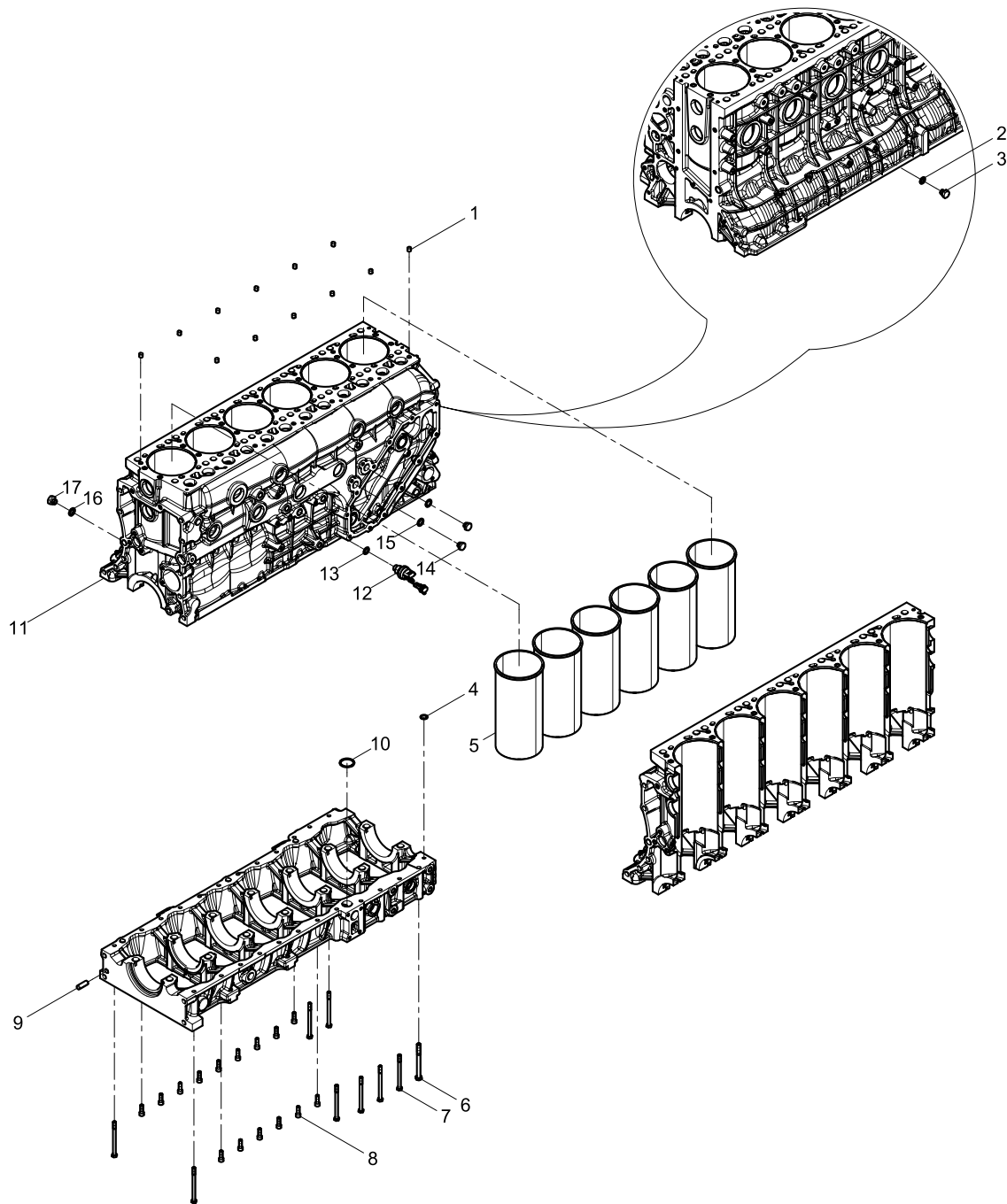
# CONTENTS

<b>Engine Block Group</b> .....	<b>1</b>
crankcase assembly .....	3
Cylinder Block Preassembly .....	5
<b>Oil Seal Group</b> .....	<b>7</b>
<b>Spray Nozzle Group</b> .....	<b>9</b>
<b>Flywheel Housing Group</b> .....	<b>11</b>
<b>Front End Cover Group</b> .....	<b>13</b>
<b>Crankshaft Group</b> .....	<b>15</b>
Crankshaft Assembly .....	17
Crankshaft Subassembly .....	19
<b>Main Bearing Group</b> .....	<b>21</b>
<b>Thrust Plate Group</b> .....	<b>23</b>
<b>Flywheel Group</b> .....	<b>25</b>
<b>Piston and Connecting Rod Group</b> .....	<b>27</b>
Piston Ring Set .....	29
Connecting Rod Assembly .....	31
<b>Cylinder Head Group</b> .....	<b>33</b>
Cylinder Head Subassembly .....	35
<b>Lift Lug Group</b> .....	<b>37</b>
<b>Cylinder Head Cover Group</b> .....	<b>39</b>
<b>Oil-gas Separator Group</b> .....	<b>41</b>
<b>Valve Train Group</b> .....	<b>43</b>
Rocker Arm Shaft Set.....	45
Camshaft Assembly.....	47
EVB Bracket Assembly.....	49
Rocker Arm Set.....	51
<b>Gear Drive Group</b> .....	<b>53</b>
Idler Gear Assembly.....	55
Idler Gear Set.....	57
<b>Crankshaft Pulley Group</b> .....	<b>59</b>
Crankshaft Pulley Assembly .....	61

<b>Oil Pan Group .....</b>	<b>63</b>
Oil Pan Assembly .....	65
<b>Dipstick Group .....</b>	<b>67</b>
<b>Oil Pump Group .....</b>	<b>69</b>
<b>Oil Strainer Group .....</b>	<b>71</b>
<b>Oil Cooler Group .....</b>	<b>73</b>
Oil Cooler Cap Assembly .....	75
<b>Oil Filter Group .....</b>	<b>77</b>
Oil Filter .....	79
<b>Oil Filling Tube Group .....</b>	<b>81</b>
<b>Water Pump Group .....</b>	<b>83</b>
<b>Venting Pipe Group .....</b>	<b>85</b>
<b>Thermostat Group .....</b>	<b>87</b>
<b>Fan Bracket Group .....</b>	<b>89</b>
<b>Fan and Hub Group .....</b>	<b>91</b>
<b>High Pressure Pump Group .....</b>	<b>93</b>
Fuel Injection Pump Set .....	95
Fuel Injection Pump Assembly .....	97
<b>Fuel Injector Group .....</b>	<b>99</b>
High-pressure Connector .....	101
<b>Low Pressure Fuel Pipe Group .....</b>	<b>103</b>
<b>Fuel Filter Group .....</b>	<b>105</b>
Fuel Fine Filter .....	107
Fuel Coarse Filter .....	109
<b>High Pressure Fuel Pipe Group .....</b>	<b>111</b>
High-pressure Fuel Pipe Assembly .....	113
High-pressure Fuel Pipe Assembly .....	115
<b>Common Rail Group .....</b>	<b>117</b>
<b>Intake Manifold Group .....</b>	<b>119</b>
Intake Manifold Assembly .....	121
<b>Turbocharger Group .....</b>	<b>123</b>

<b>Turbocharger Oil Pipe Group .....</b>	<b>125</b>
<b>Compressor Pipe Group.....</b>	<b>127</b>
<b>Air Filter Group.....</b>	<b>129</b>
<b>Exhaust Manifold Group .....</b>	<b>131</b>
<b>Rear Exhaust Manifold Group.....</b>	<b>133</b>
<b>Tensioner And Belt Group .....</b>	<b>135</b>
<b>Starter Motor Group .....</b>	<b>137</b>
<b>Engine Bracket Group.....</b>	<b>139</b>
<b>Packing Box Chassis Parts Group.....</b>	<b>141</b>
Air Filter .....	143
<b>Parts Kit Group.....</b>	<b>145</b>
Connector Assembly .....	147
Connector Assembly .....	149
Diagnosis Plug.....	151
Matching Connector.....	153
<b>Spare Parts Attached to Engine Group .....</b>	<b>155</b>
<b>Electronic Control Unit Group.....</b>	<b>157</b>
<b>Electronic Control System Harness Group .....</b>	<b>159</b>
<b>Alternator Group.....</b>	<b>161</b>
<b>Alternator Bracket Group .....</b>	<b>163</b>
<b>ECU Data Group.....</b>	<b>165</b>

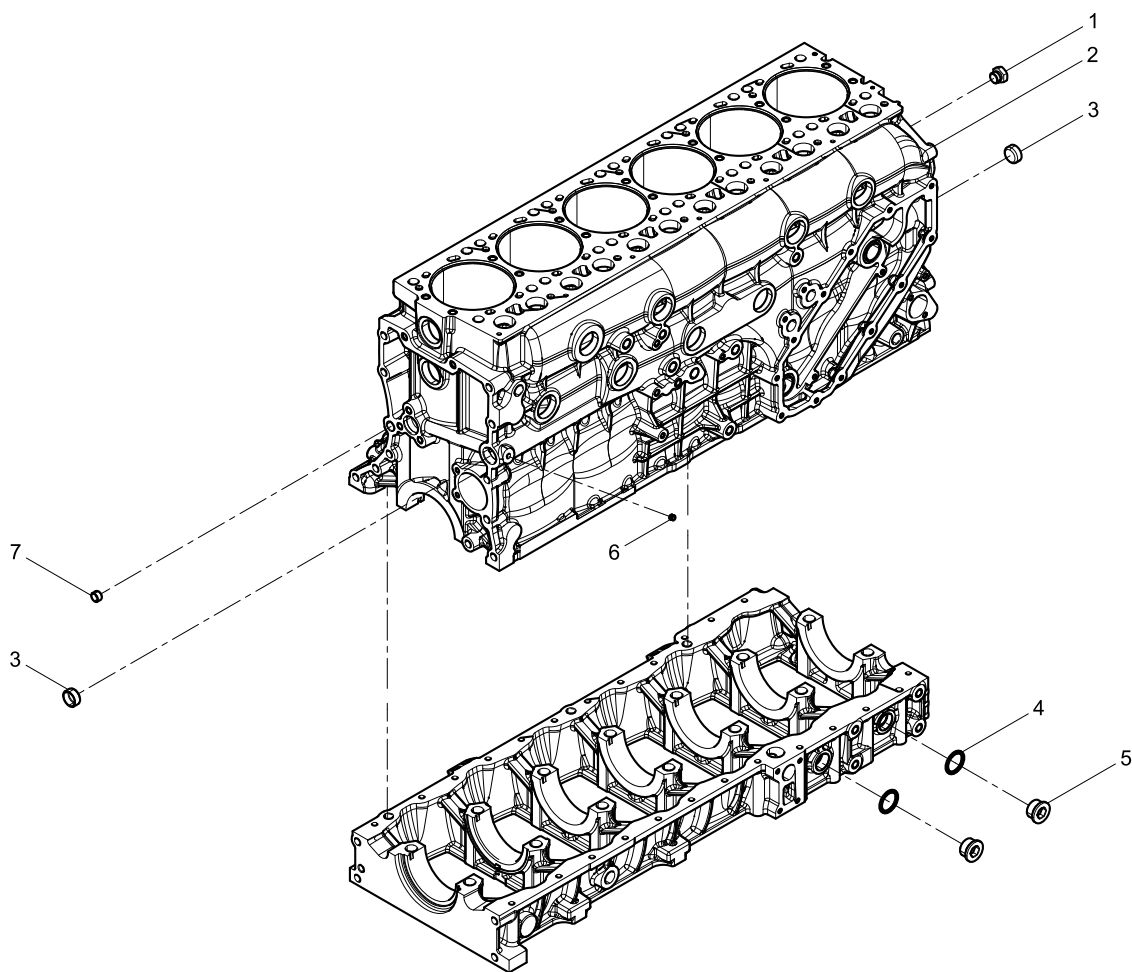
### Engine Block Group



**Engine Block Group**

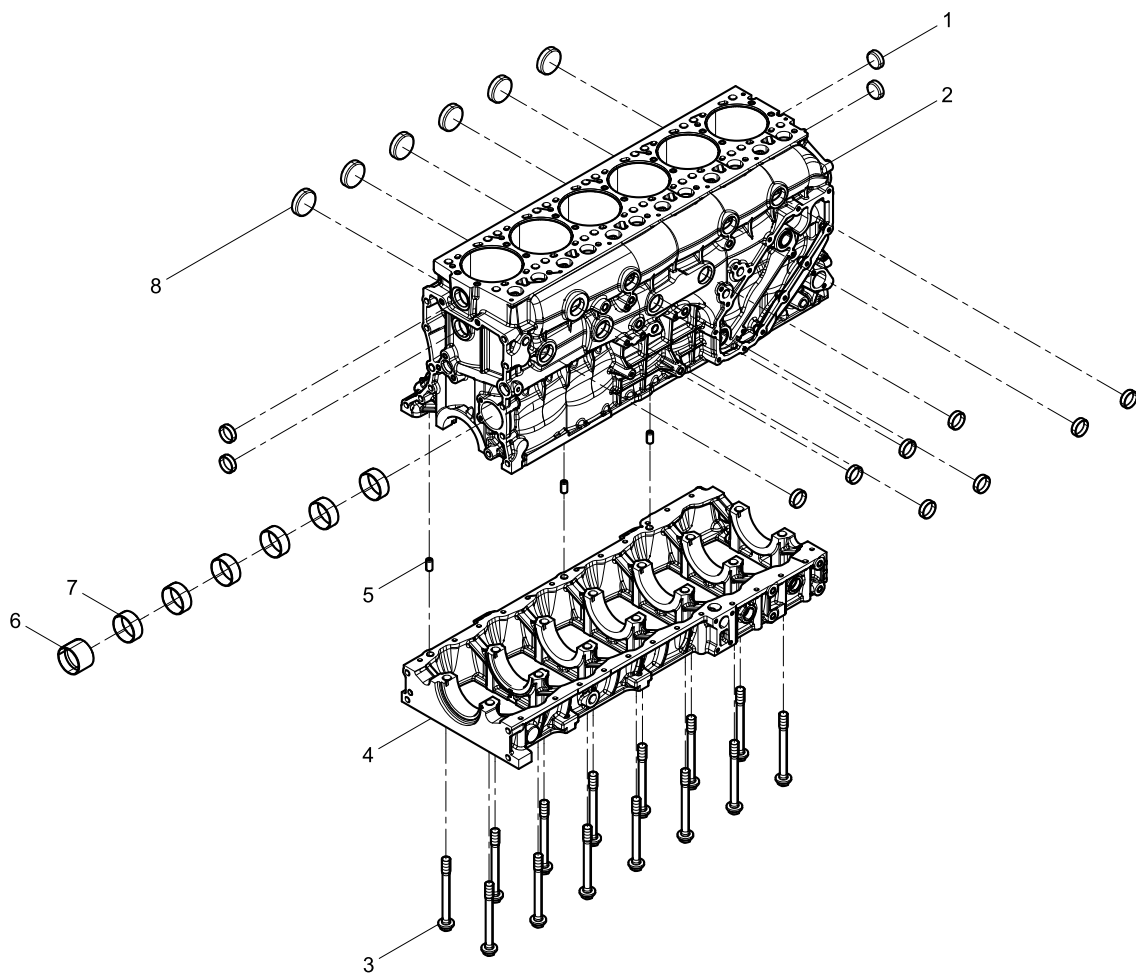
Pos.	Part Number	Qty.	Part Name
1	612639000089	12	Parallel Pin
2	1001251569	1	Assembled Sealing Washer
3	1001675556	1	Hexagon Screw Plug
4	612639000088	1	O-ring
5	612700010010	6	Cylinder Liner
6	90011350082	1	Hexagon Head Bolt
7	90011350085	8	Hexagon Head Bolt
8	90003862428	15	Inner Hexagon Socket Head Cap Screw
9	612639000034	1	Parallel Pin
10	612630010107	1	O-ring
11	1000502912	1	crankcase assembly
12	612600090766	1	Pressure and Temperature Sensor
13	612600080275	1	Sealing Washer
14	90017020003	2	Hexagon Screw Plug
15	90003098016	2	Sealing Washer
16	612600080246	1	Washer
17	90003962014	1	Hexagon Screw Plug

### crankcase assembly





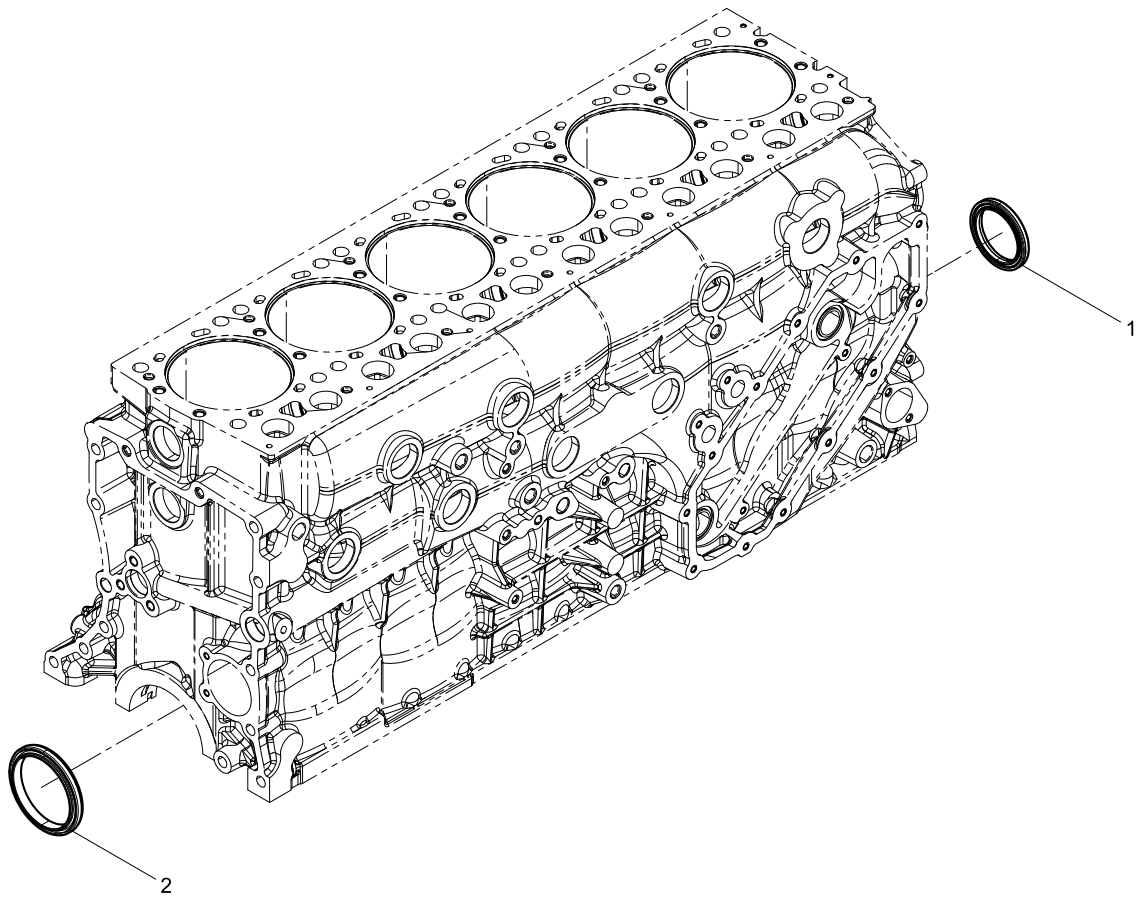
### Cylinder Block Preassembly



**Cylinder Block Preassembly**

<b>Pos.</b>	<b>Part Number</b>	<b>Qty.</b>	<b>Part Name</b>
1	612600013581	12	Bowl Plug
2	612700010153	1	Cylinder Block
3	612630010057	14	Main Bearing Bolt
4	612700010003	1	Crankcase
5	612639000093	3	Parallel Pin with Internal Thread
6	612630010075	1	Camshaft Bush
7	61560010029	6	Camshaft Bush
8	612600013583	6	Bowl Plug

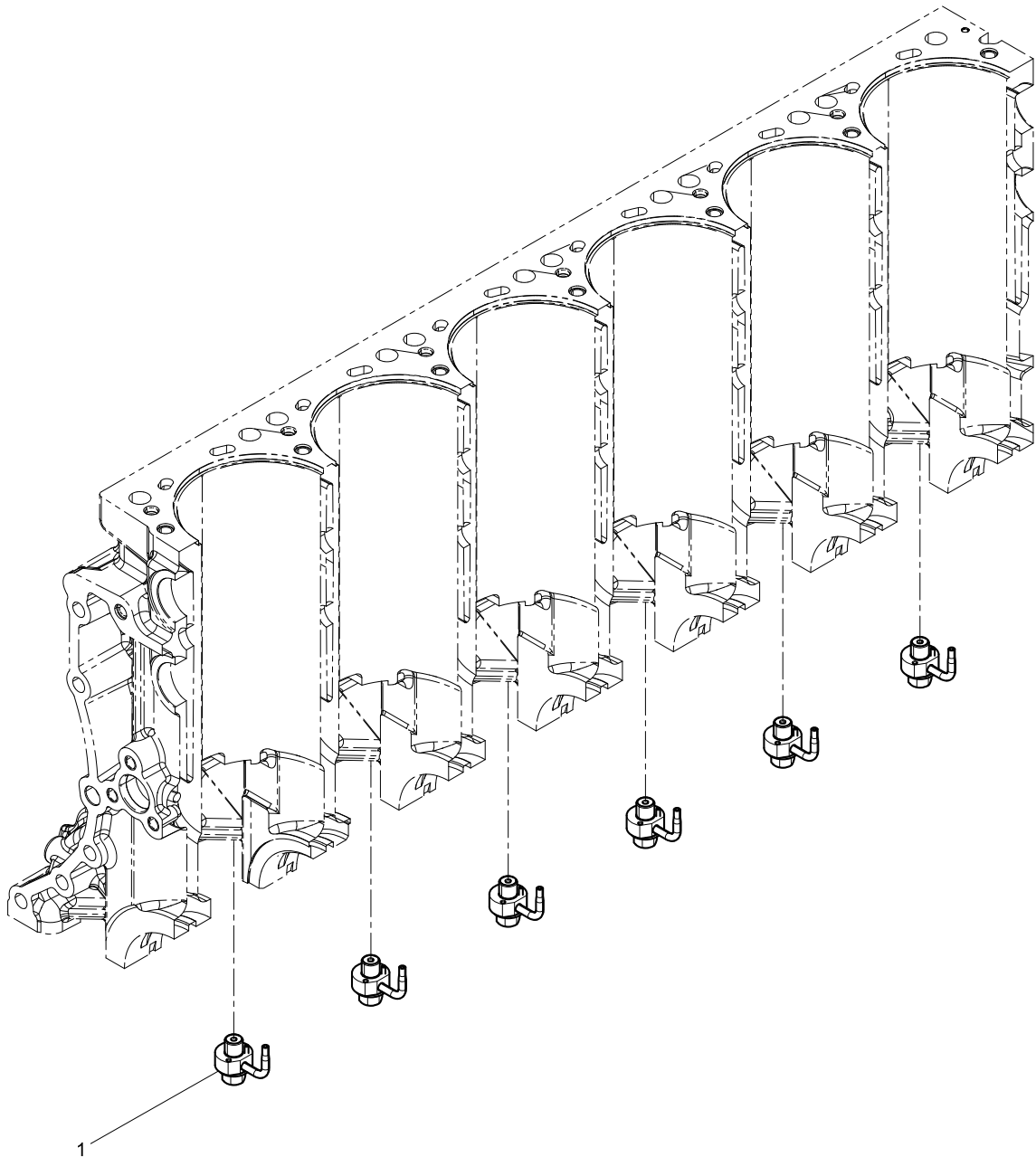
## Oil Seal Group



**Oil Seal Group**

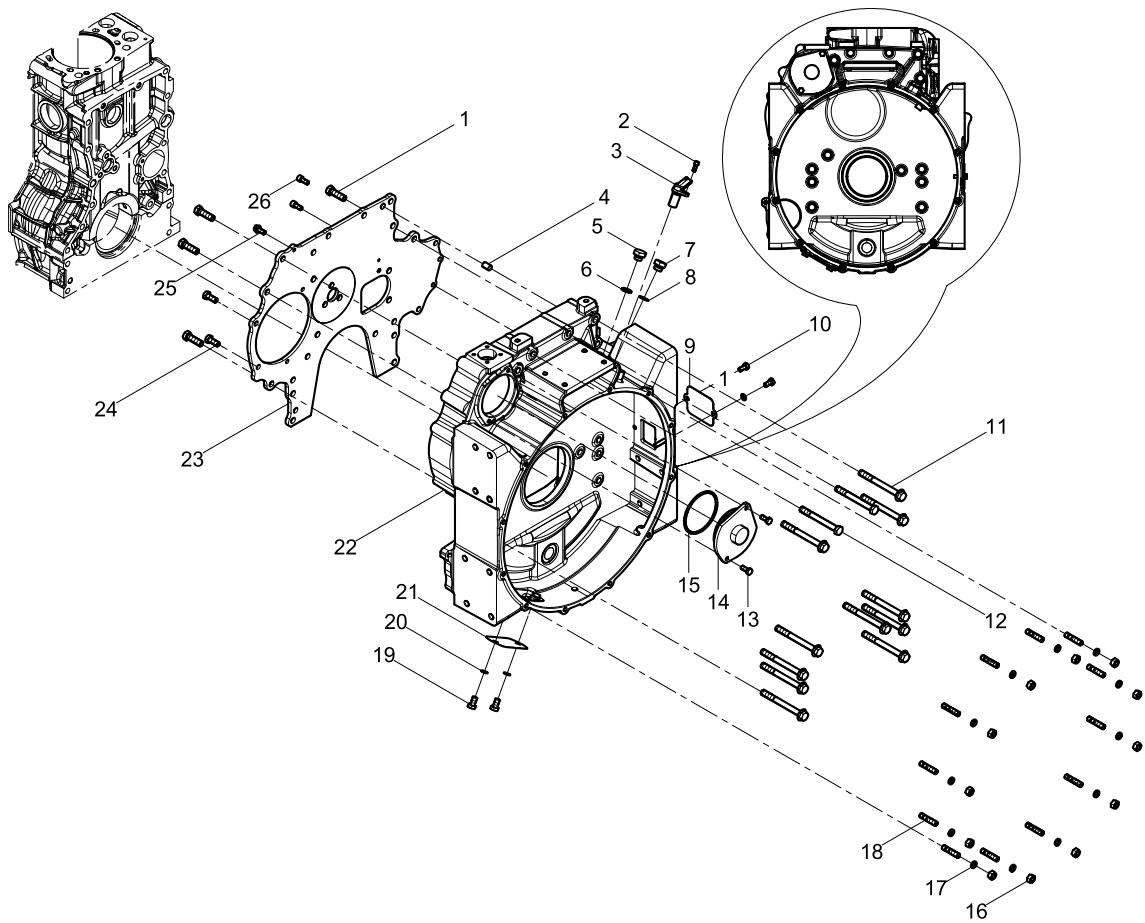
<b>Pos.</b>	<b>Part Number</b>	<b>Qty.</b>	<b>Part Name</b>
1	612630010106	1	Front Oil Seal
2	612630030009	1	Rear Oil Seal

### Spray Nozzle Group





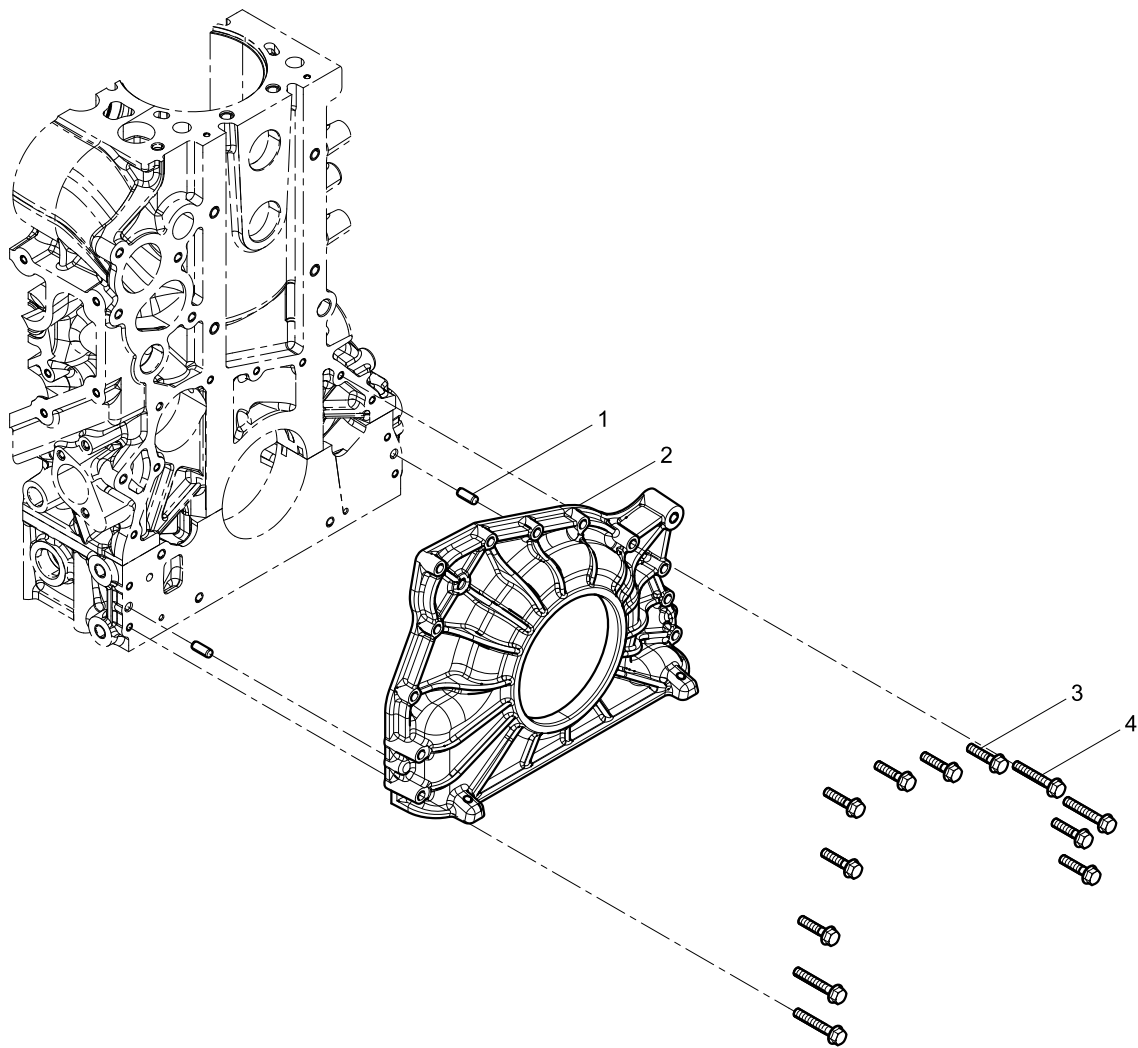
### Flywheel Housing Group



**Flywheel Housing Group**

<b>Pos.</b>	<b>Part Number</b>	<b>Qty.</b>	<b>Part Name</b>
1	90003800619S	8	Hexagon Head Bolt
2	90013050006	1	Inner Hexagon Socket Head Cap Screw
3	612630030007	1	Speed Sensor
4	90003901604	1	Parallel Pin
5	612600012319	1	Hexagon Screw Plug
6	90003098016	1	Sealing Washer
7	90003962030	1	Hexagon Screw Plug
8	90003098020	1	Washer
9	612600010062	1	Handhole Cover
10	90003802411	2	Hexagon Head Bolt
11	90011400038S	11	Hexagon Flange Bolt
12	90011260059S	2	Hexagon Head Bolt
13	90003802419	2	Hexagon Head Bolt
14	612630030113	1	Hydraulic Pump Cover
15	612630030045	1	O-ring
16	90003871305	12	Hexagon Nut
17	90003931122	12	Spring Washer
18	90003813537	12	Double End Stud
19	90003802511	2	Hexagon Head Bolt
20	90003932024	2	Wave Spring Washer
21	612630030065	1	Handhole Cover
22	1000132700	1	Flywheel Housing
23	1000434262	1	Flywheel Housing Plate
24	90003802523S	2	Hexagon Head Bolt
25	9000000719S	1	Hexagon Flange Bolt
26	90003862427	2	Inner Hexagon Socket Head Cap Screw

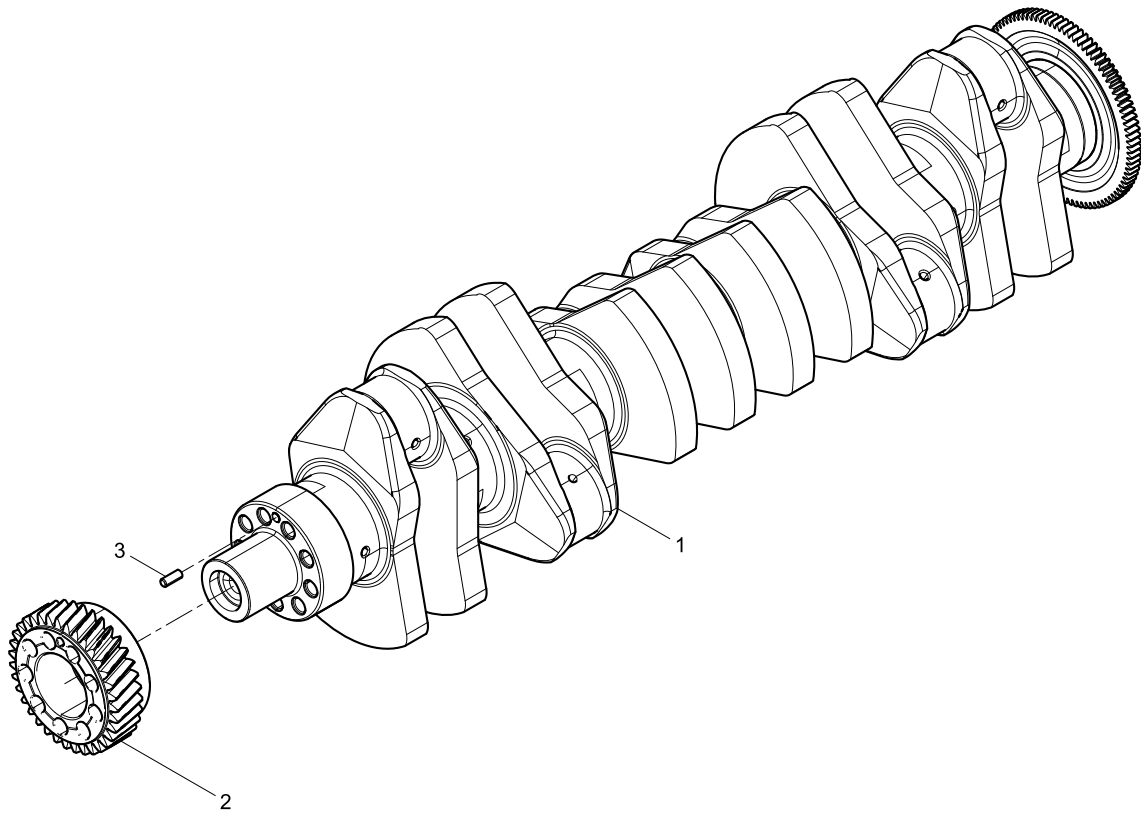
### Front End Cover Group



**Front End Cover Group**

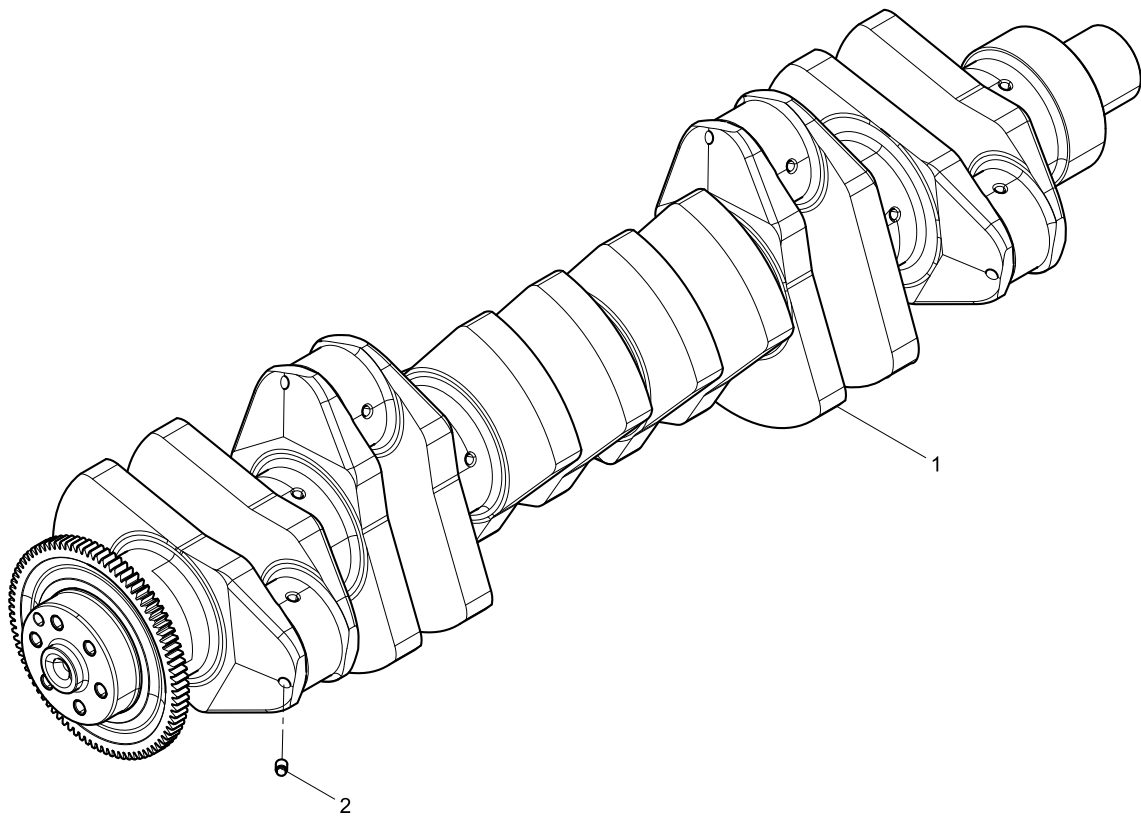
Pos.	Part Number	Qty.	Part Name
1	90003901420	2	Parallel Pin
2	612700010046	1	Front Cap
3	612639000084S	8	Hexagon Flange Bolt
4	612639000085S	4	Hexagon Flange Bolt

## Crankshaft Group





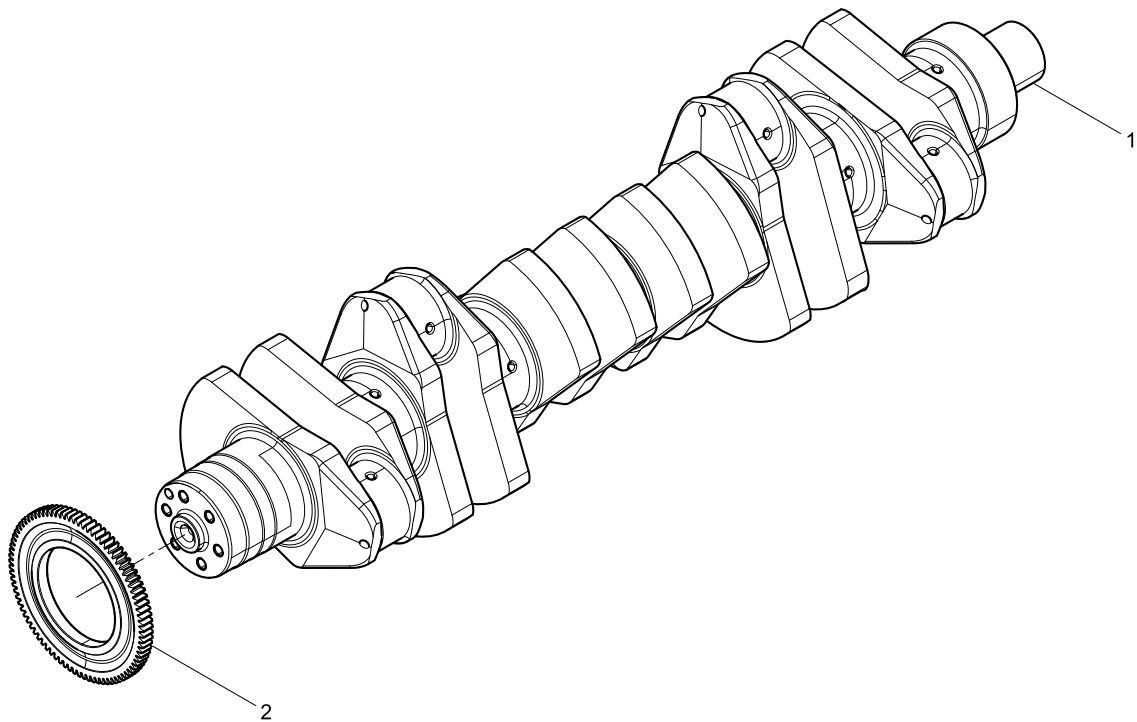
### Crankshaft Assembly



**Crankshaft Assembly**

<b>Pos.</b>	<b>Part Number</b>	<b>Qty.</b>	<b>Part Name</b>
1	1000073843	1	Crankshaft Subassembly
2	612600020311	6	Stem

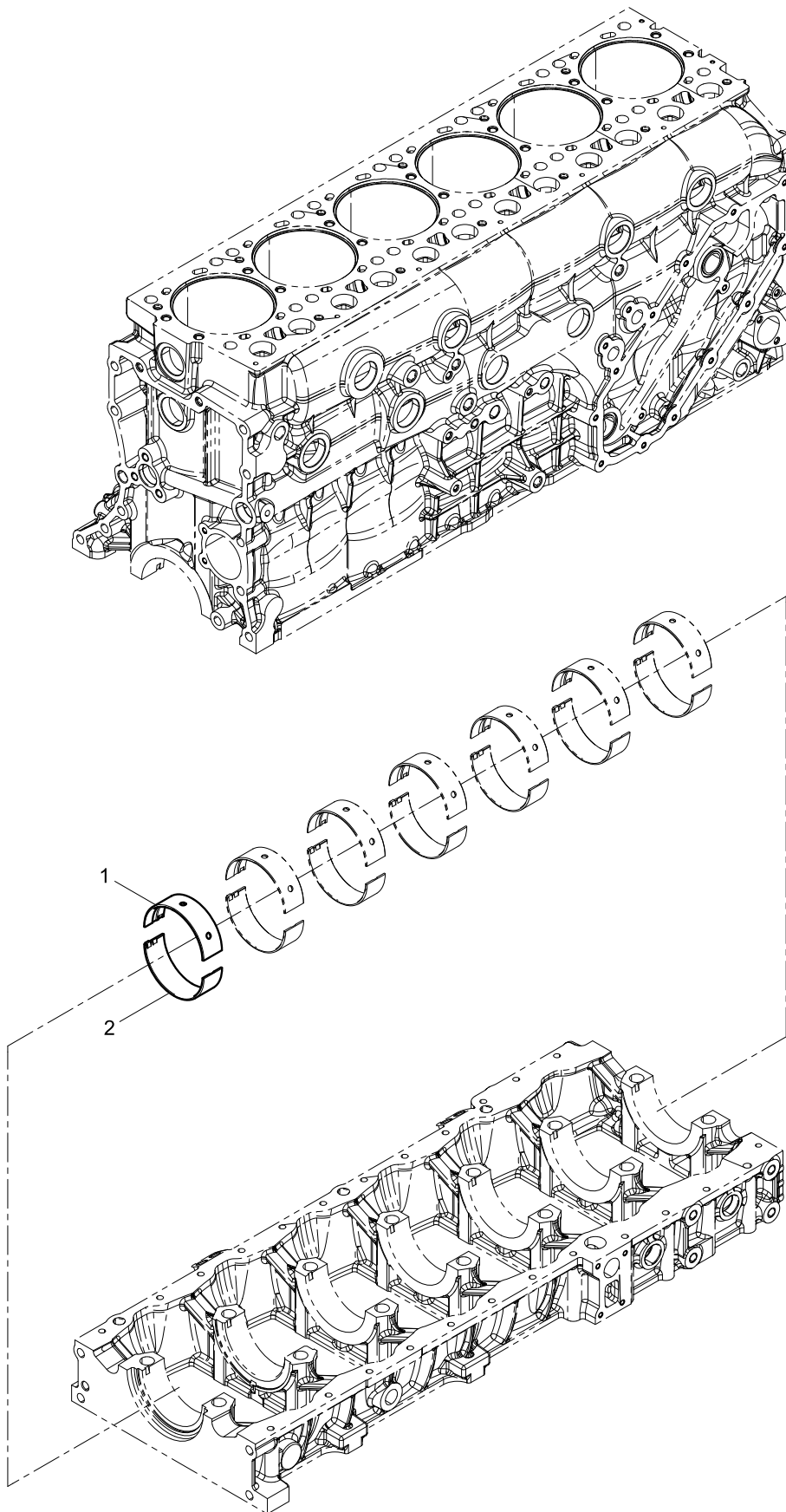
### Crankshaft Subassembly



### Crankshaft Subassembly

Pos.	Part Number	Qty.	Part Name
1	612700020011	1	Crankshaft
2	612700020002	1	Oil Pump Gear

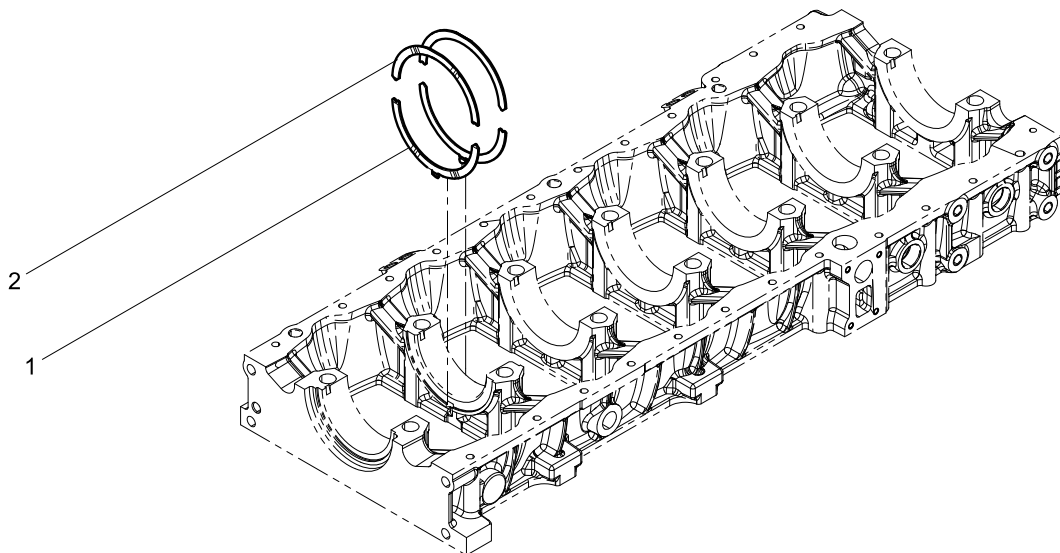
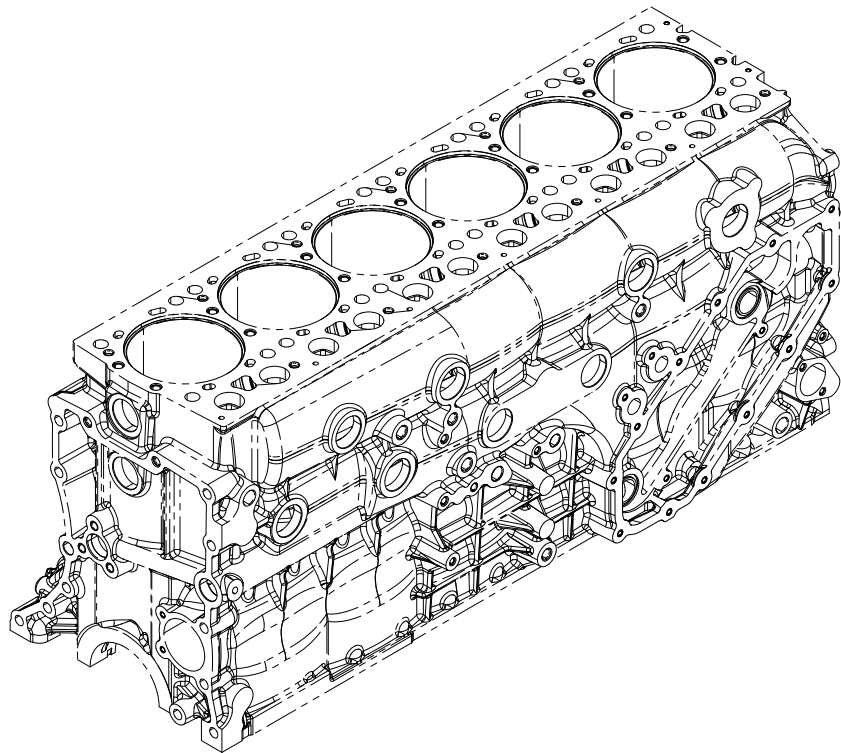
### Main Bearing Group



**Main Bearing Group**

<b>Pos.</b>	<b>Part Number</b>	<b>Qty.</b>	<b>Part Name</b>
1	612630010591	1	Main Bearing Upper Shell
2	612700010150	1	Main Bearing Lower Shell

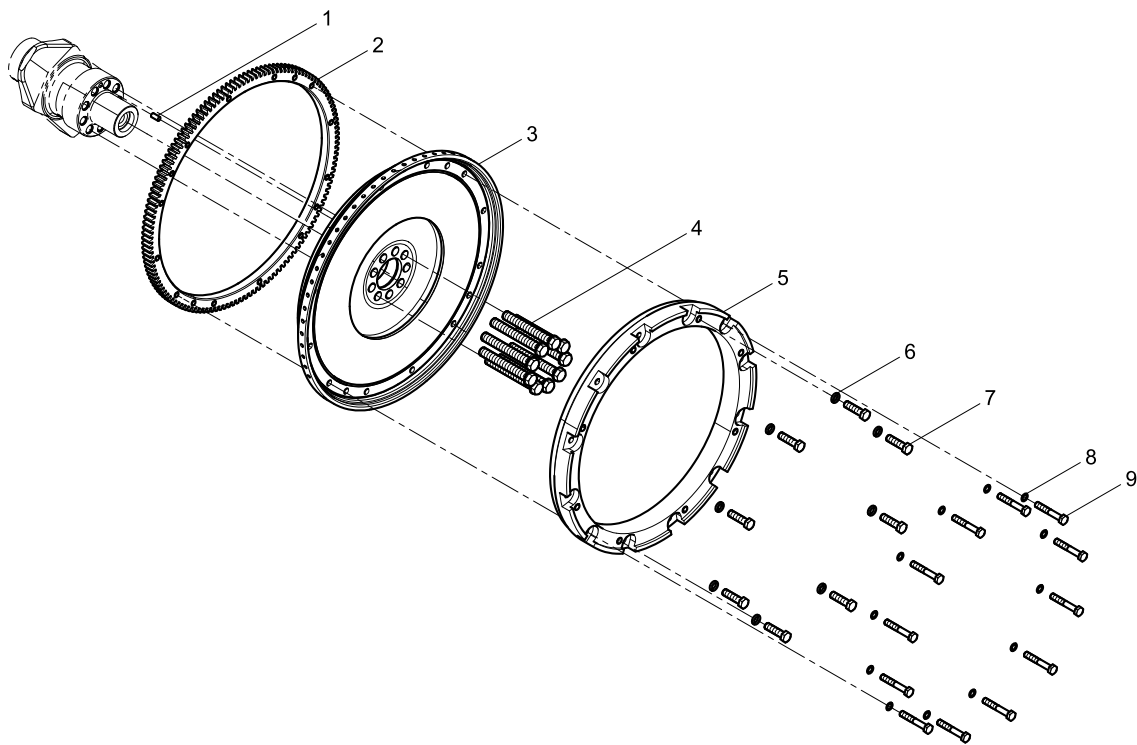
### Thrust Plate Group



**Thrust Plate Group**

<b>Pos.</b>	<b>Part Number</b>	<b>Qty.</b>	<b>Part Name</b>
1	612630010630	2	Lower Thrust Plate
2	612630010629	2	Upper Thrust Plate

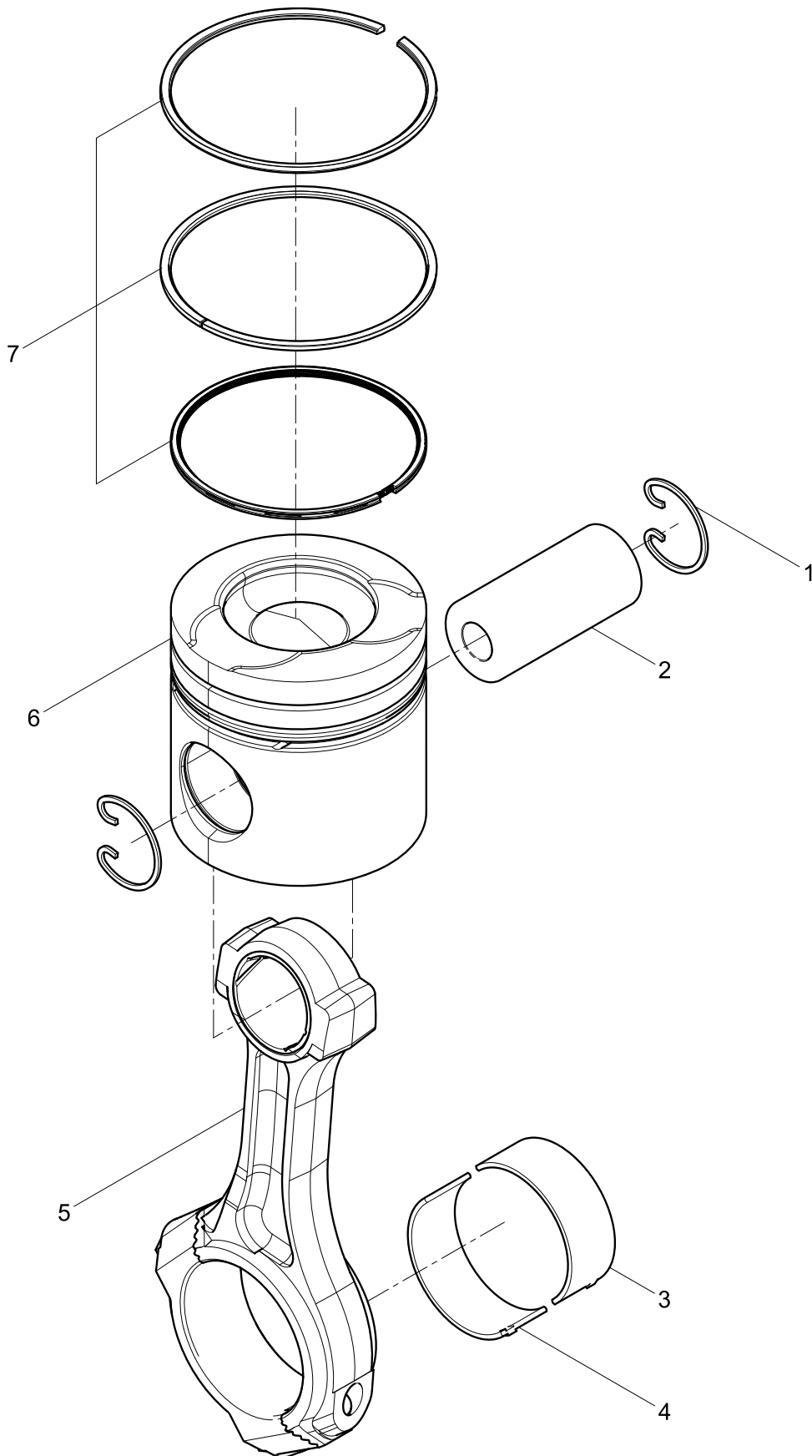
## Flywheel Group



**Flywheel Group**

<b>Pos.</b>	<b>Part Number</b>	<b>Qty.</b>	<b>Part Name</b>
1	90003901418	1	Parallel Pin
2	612600020208	1	Flywheel Ring Gear
3	612630020335	1	Flywheel
4	612630020010	9	Flywheel Bolt
5	612600020760	1	Flywheel Connecting Ring
6	90003931142	8	Spring Washer
7	90011350113	8	Hexagon Head Bolt
8	90003932024	12	Wave Spring Washer
9	90003802557	12	Hexagon Head Bolt

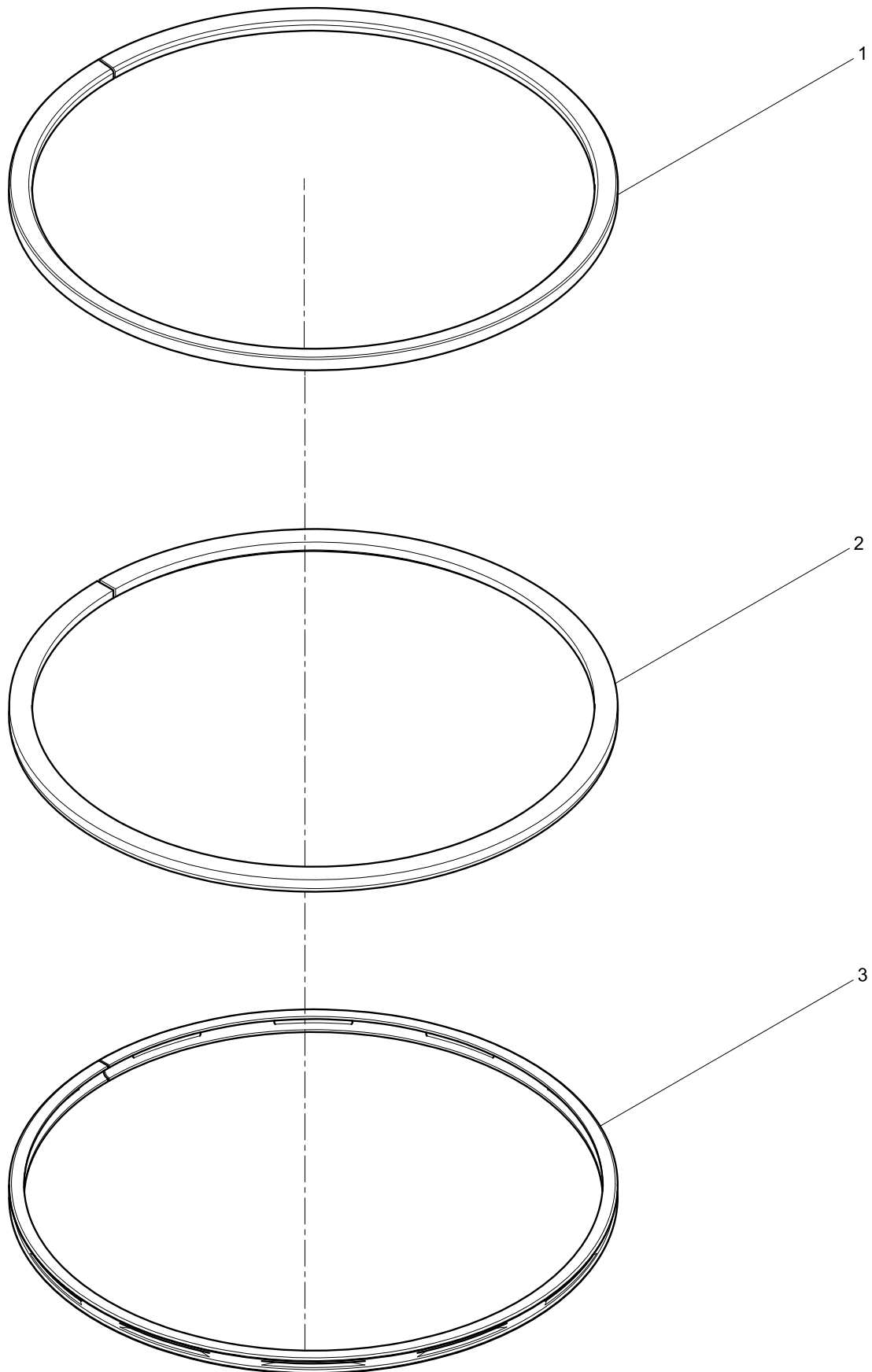
### Piston and Connecting Rod Group



**Piston and Connecting Rod Group**

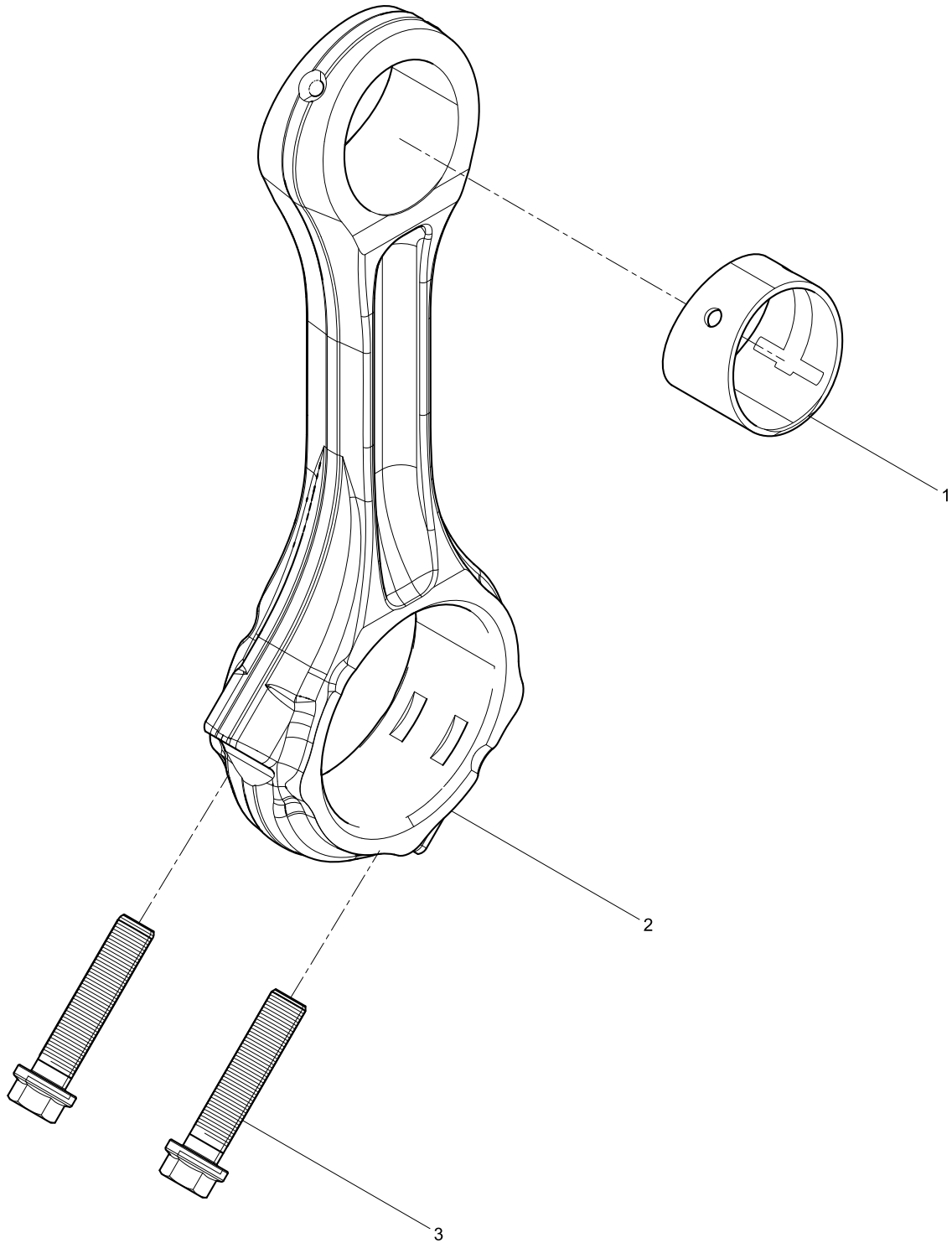
<b>Pos.</b>	<b>Part Number</b>	<b>Qty.</b>	<b>Part Name</b>
1	612630020029	2	Piston Pin Retainer
2	612630020025	1	Piston Pin
3	1000546275	1	Connecting Rod Assembly
4	612600030069	1	Connecting Rod Upper Shell
5	612630020018	1	Connecting Rod Lower Shell
6	1001647886	1	Piston
7	612700020061	1	Piston Ring Set

### Piston Ring Set





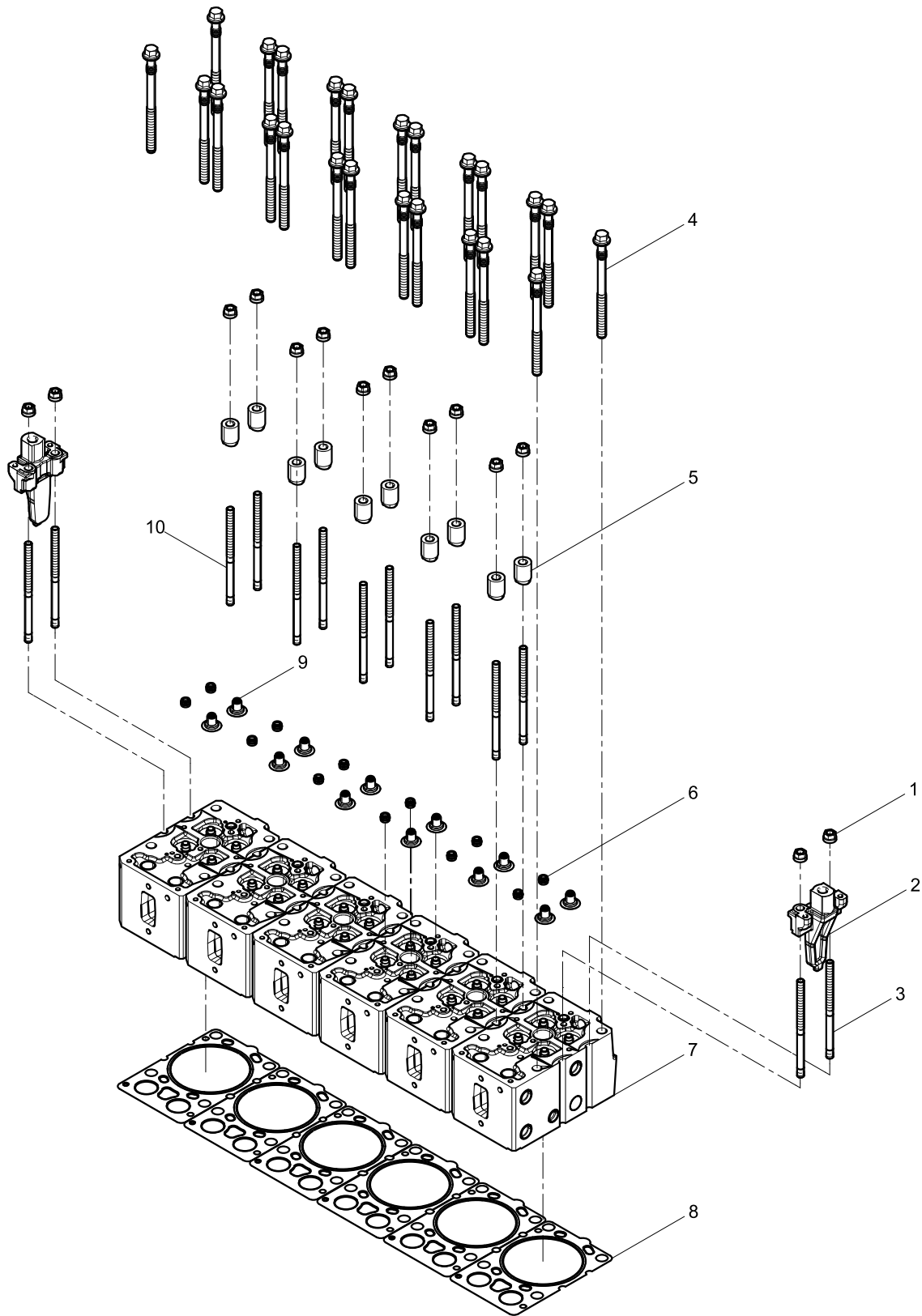
### Connecting Rod Assembly



**Connecting Rod Assembly**

Pos.	Part Number	Qty.	Part Name
1	612630020345	1	Connecting Rod Bush
2	612640020021	1	Connecting Rod
3	1000702305	2	Connecting Rod Bolt

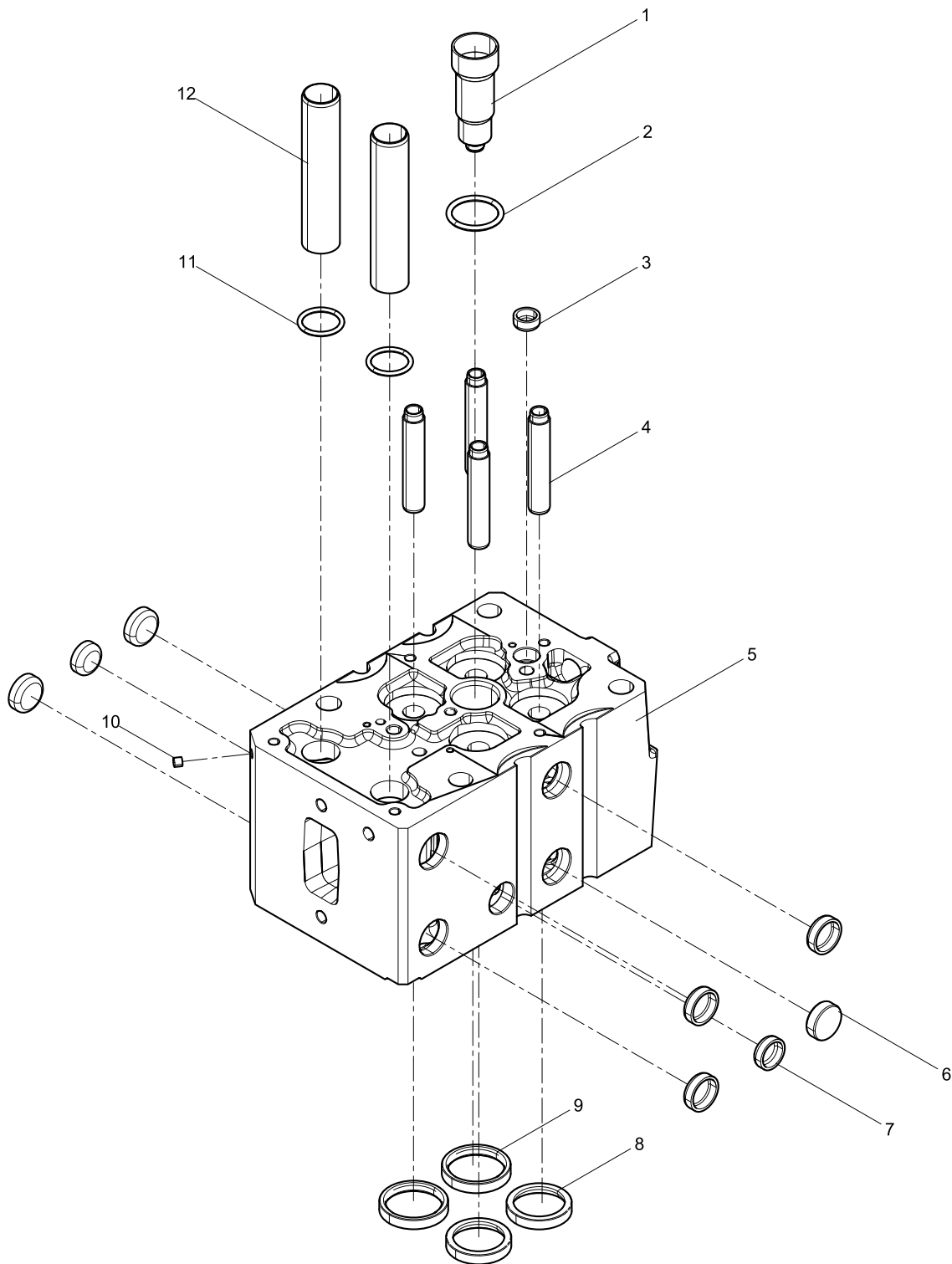
### Cylinder Head Group



**Cylinder Head Group**

<b>Pos.</b>	<b>Part Number</b>	<b>Qty.</b>	<b>Part Name</b>
1	61200040034	14	Cylinder Head Nut
2	612630040010	2	Lifting Clamp
3	1003314748S	4	Secondary Blots of Cylinder Head
4	1003314752	24	Cylinder Head Main Bolt
5	61200040023	10	Clamp
6	61800050151	12	Valve Stem Seal
7	612630040001	6	Cylinder Head Subassembly
8	1004329208	6	Cylinder Head Gasket
9	1000549569	12	Valve Stem Seal
10	1003243435S	10	Secondary Blots of Cylinder Head

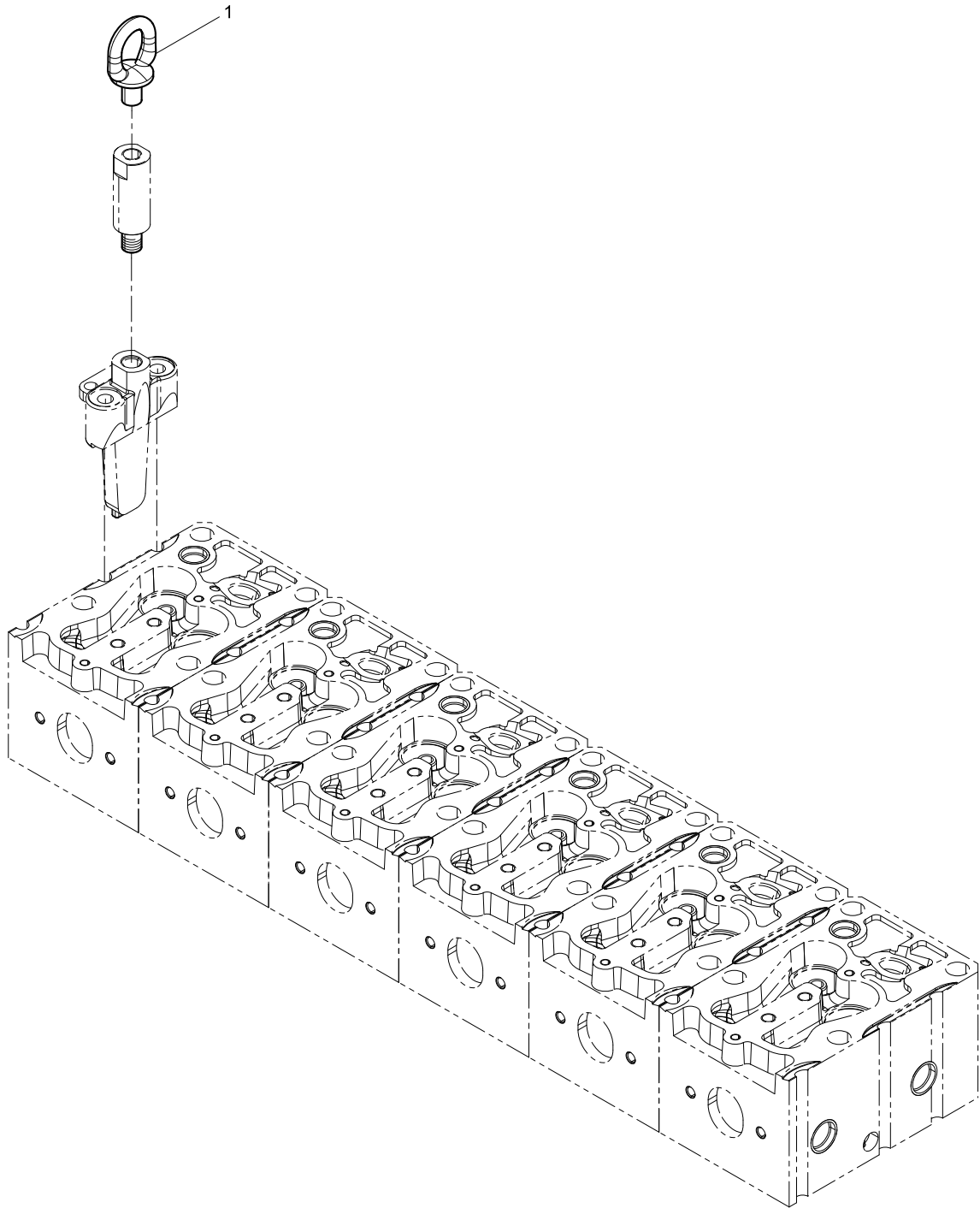
### Cylinder Head Subassembly



**Cylinder Head Subassembly**

Pos.	Part Number	Qty.	Part Name
1	612630040026	1	Injector Bush
2	1004257065	1	Injector Bush Sealing Ring
3	612600040639	1	Bowl Plug
4	612630040181	4	Valve Guide
5	612630040019	1	Cylinder Head
6	612600040634	6	Bowl Plug
7	612600040633	2	Bowl Plug
8	612630040076	2	Exhaust Valve Seat
9	612630040075	2	Intake Valve Seat
10	612600040228	1	Pulling Rivet
11	612630040028	2	Seal Ring
12	1003405748	2	Push Rod Bush

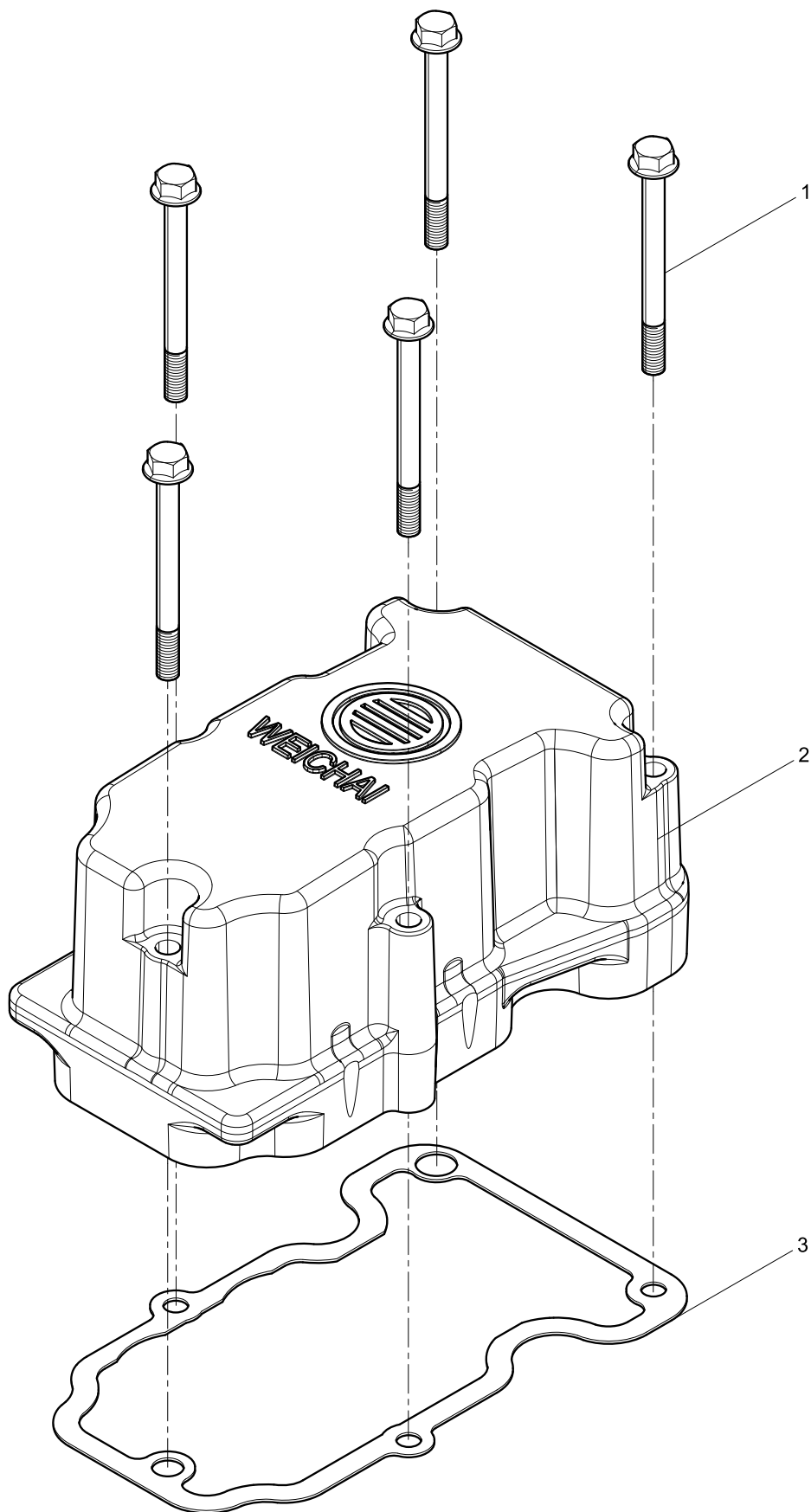
### Lift Lug Group



**Lift Lug Group**

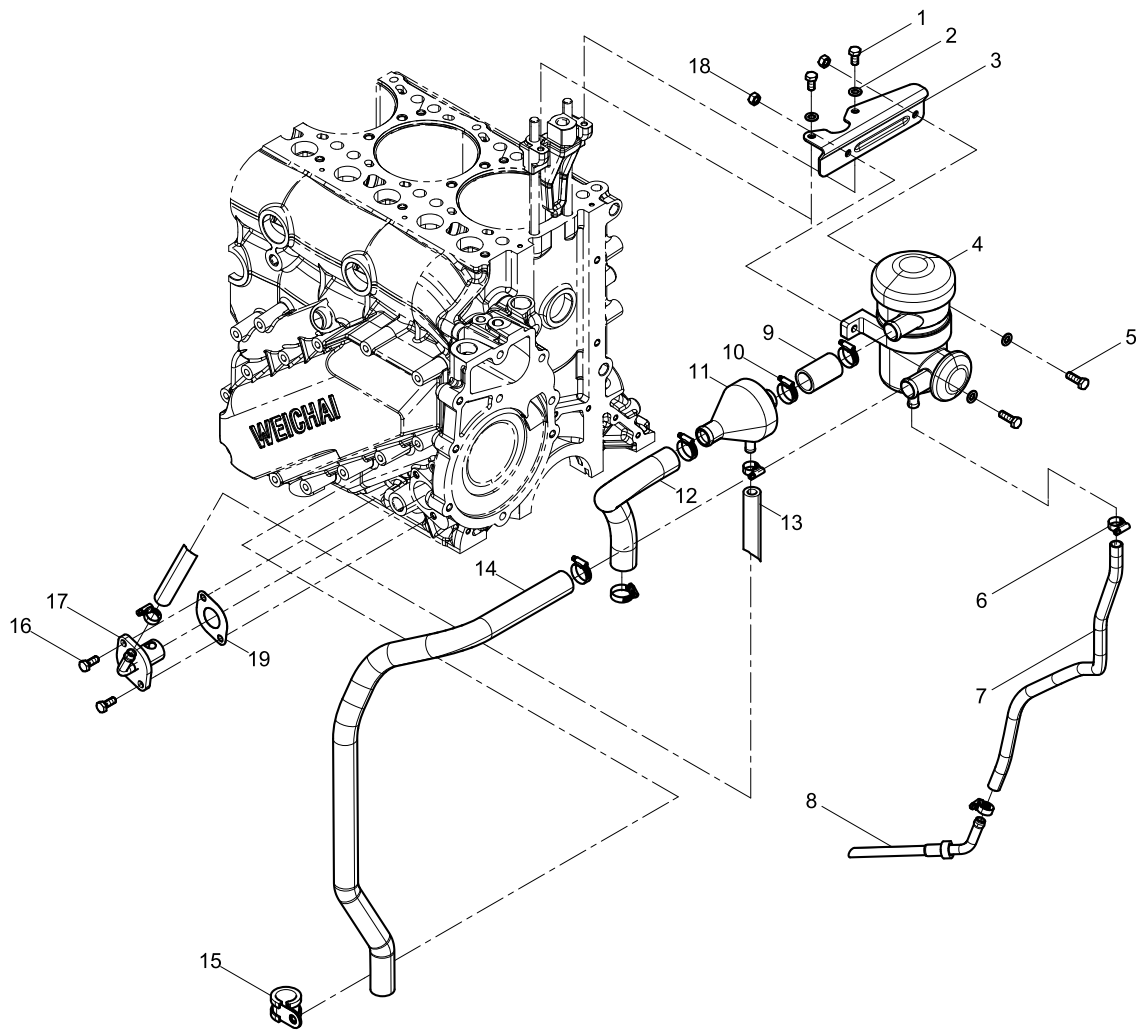
<b>Pos.</b>	<b>Part Number</b>	<b>Qty.</b>	<b>Part Name</b>
1	614010388	1	Lifting Screw

### Cylinder Head Cover Group





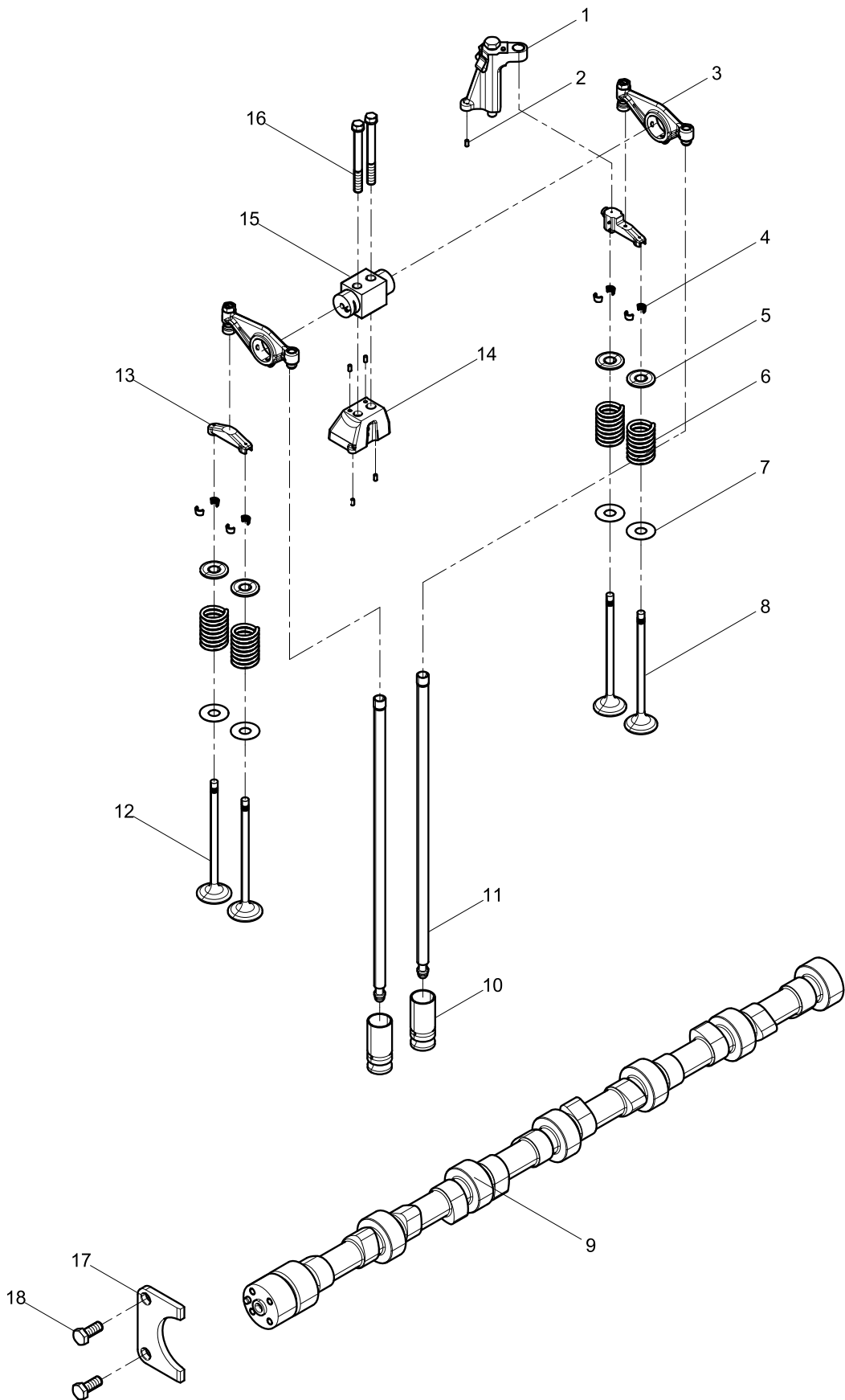
### Oil-gas Separator Group



**Oil-gas Separator Group**

<b>Pos.</b>	<b>Part Number</b>	<b>Qty.</b>	<b>Part Name</b>
1	90003802411	2	Hexagon Head Bolt
2	90014040007	4	Plain Washer
3	1000365412	1	Oil-gas Separator Bracket
4	612630060015	1	Oil-gas Separator
5	90003802424	2	Hexagon Head Bolt
6	90003989300	4	Clamp
7	612630061000	1	Oil Connecting Rubber Pipe
8	612630010409	1	Oil-gas Separator Oil-return Pipe
9	612630060017	1	Oil Connecting Rubber Pipe
10	90003989301	5	Clamp
11	612630060758	1	Oil-gas Pre-separator
12	612630060761	1	Air Connecting Rubber Pipe
13	612630060756	1	Oil Connecting Rubber Pipe
14	612630061027	1	Oil Connecting Rubber Pipe
15	612630040320	2	Pipe Clamp Assembly
16	90003802419	2	Hexagon Head Bolt
17	612630040310	1	Pre-separator Oil-return Pipe
18	90003871252	2	Hexagon Nut
19	1001429877	1	Gasket

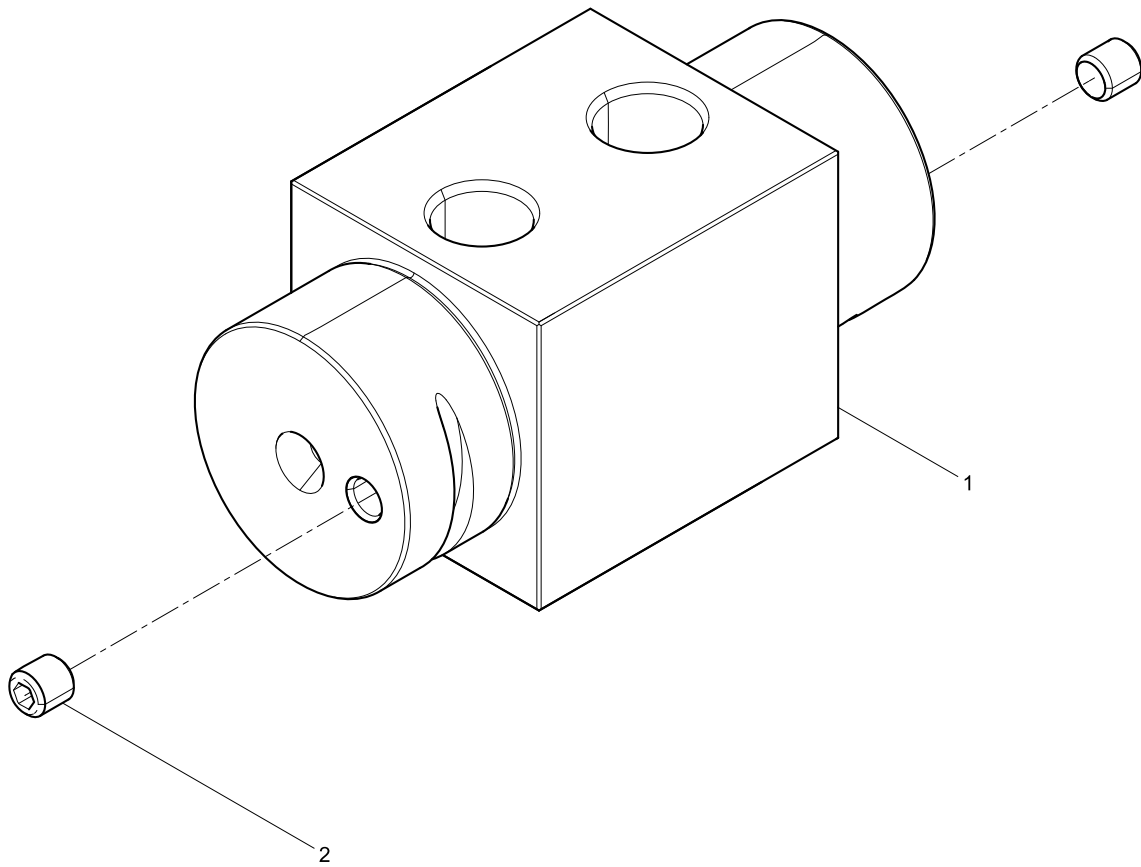
### Valve Train Group



**Valve Train Group**

Pos.	Part Number	Qty.	Part Name
1	612630050147	6	EVV Bracket Assembly
2	612639000087	30	Parallel Pin
3	1000881645	12	Rocker Arm Set
4	612630050015	48	Valve Collet
5	612630050014	24	Valve Spring Top Retainer
6	612630050005	24	Valve Spring
7	612630050019	12	Valve Spring Bottom Retainer
8	612630050002	12	Exhaust Valve
9	612630050061	1	Camshaft Assembly
10	612630050100	12	Tappet
11	1001458375	12	Push Rod
12	612630050146	12	Intake Valve
13	1001243202	12	Valve Bridge
14	612630050013	6	Rocker Arm Bracket Assembly
15	612630050018	6	Rocker Arm Shaft Set
16	1000271249	12	Hexagon Head Bolt
17	612630030002	1	Camshaft Thrust Plate
18	90003802443S	2	Hexagon Head Bolt

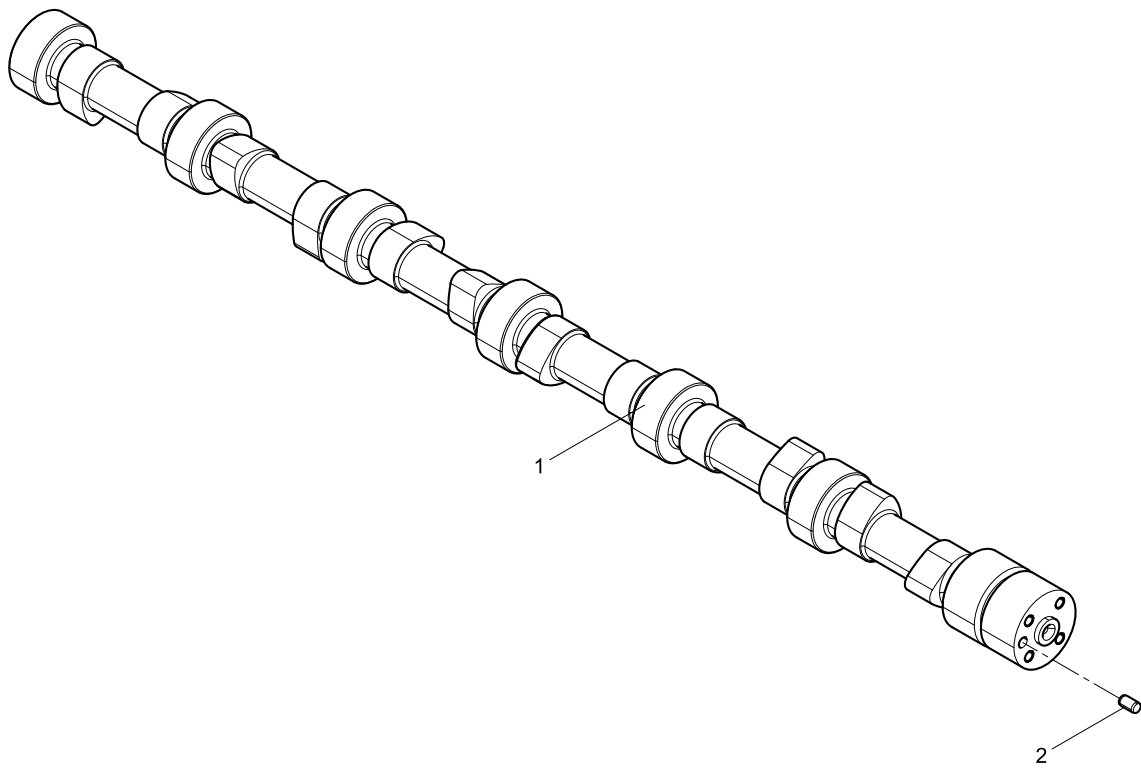
### Rocker Arm Shaft Set



**Rocker Arm Shaft Set**

<b>Pos.</b>	<b>Part Number</b>	<b>Qty.</b>	<b>Part Name</b>
1	612630050030	1	Rocker Arm Shaft
2	612639000065S	2	Screw

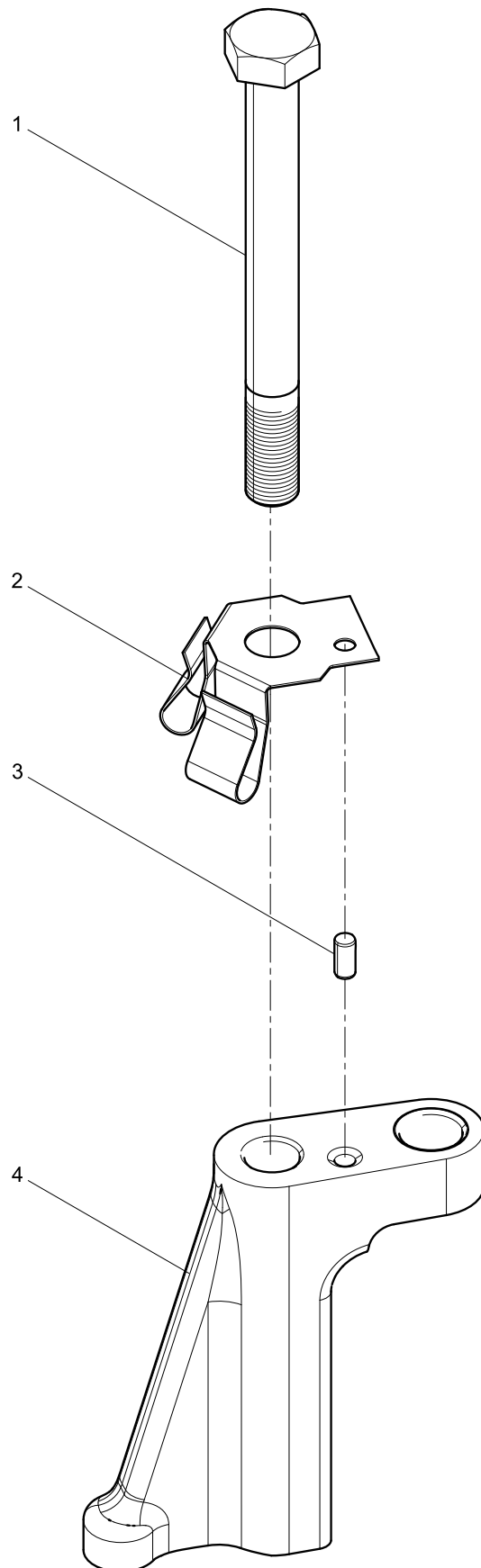
### Camshaft Assembly



**Camshaft Assembly**

<b>Pos.</b>	<b>Part Number</b>	<b>Qty.</b>	<b>Part Name</b>
1	612630050051	1	Camshaft
2	612639000061	1	Parallel Pin

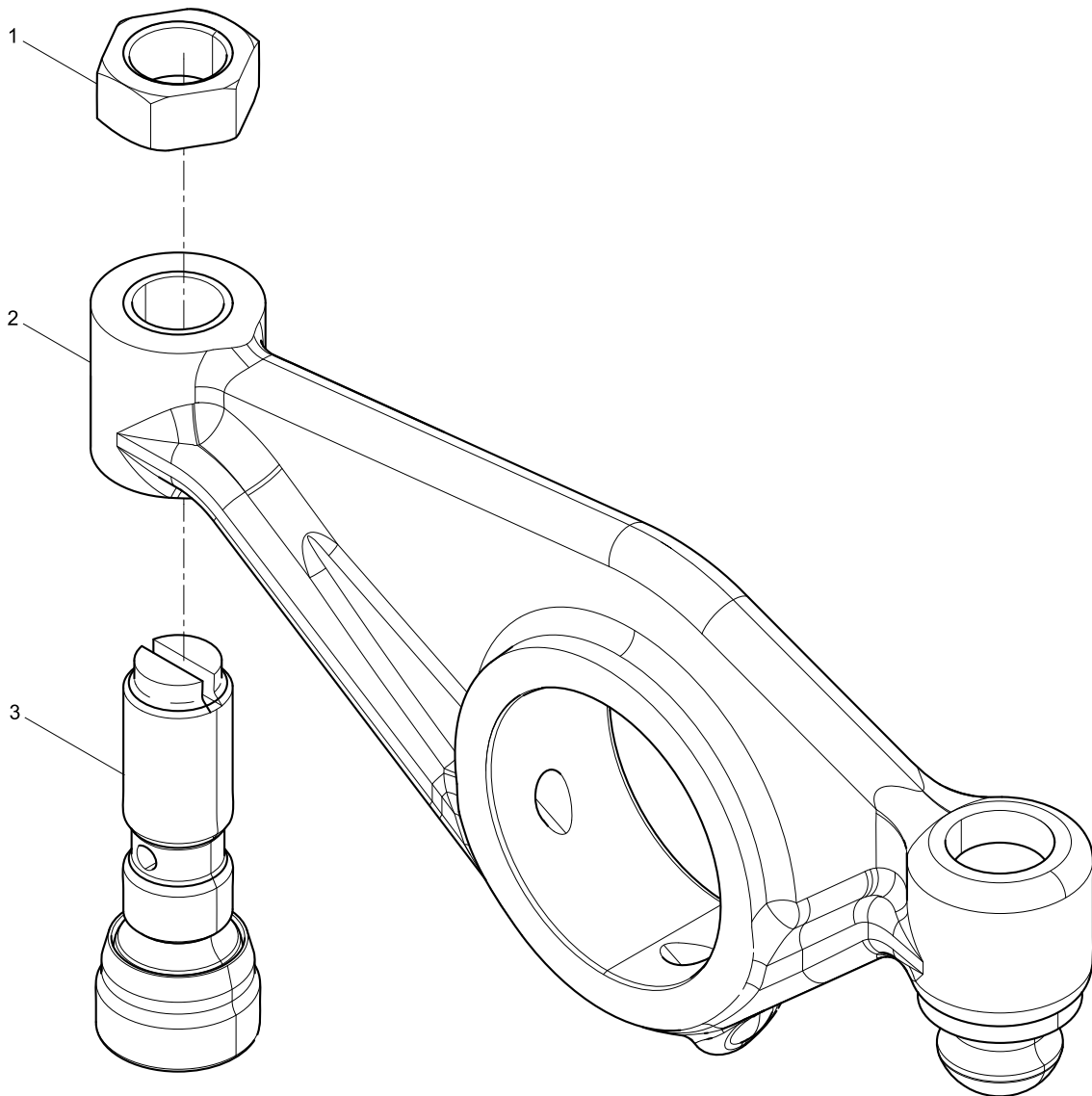
### EVB Bracket Assembly



**EVB Bracket Assembly**

Pos.	Part Number	Qty.	Part Name
1	612639000066	1	Bolt
2	612630040052	1	Harness Bracket
3	612639000087	1	Parallel Pin
4	612630050010	1	EVB Bracket

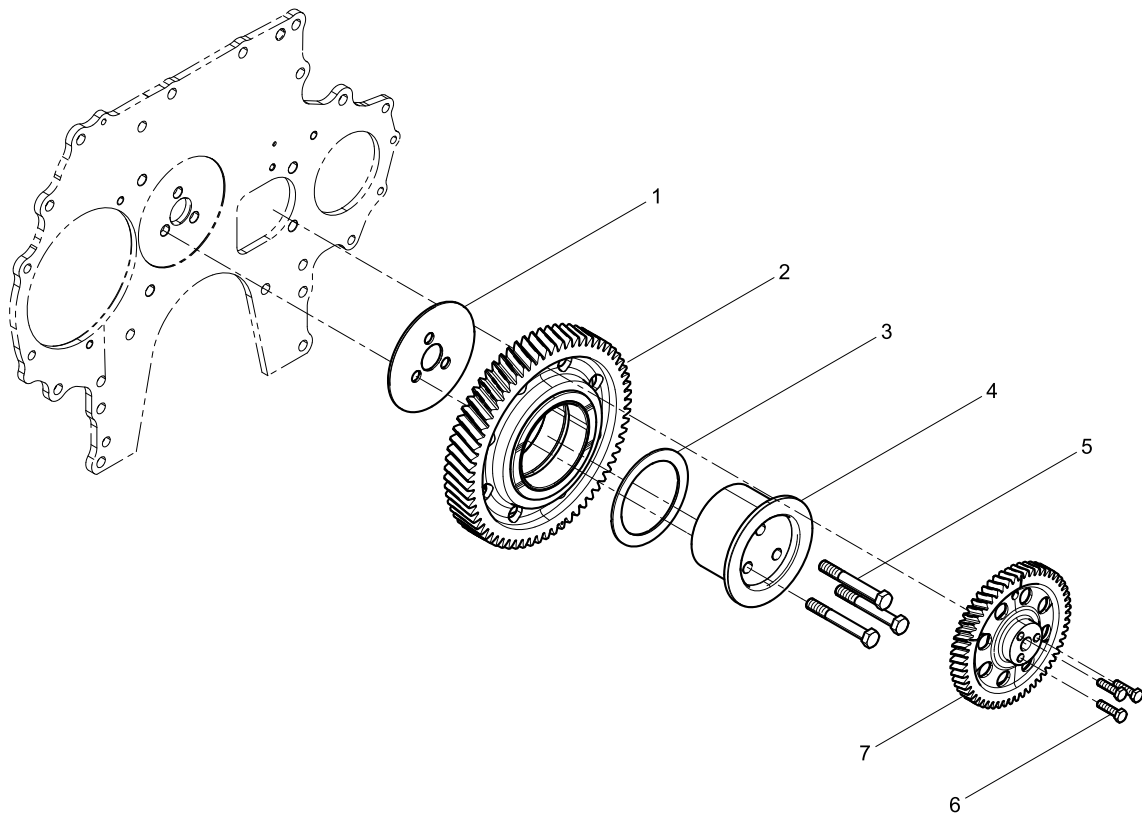
### Rocker Arm Set



**Rocker Arm Set**

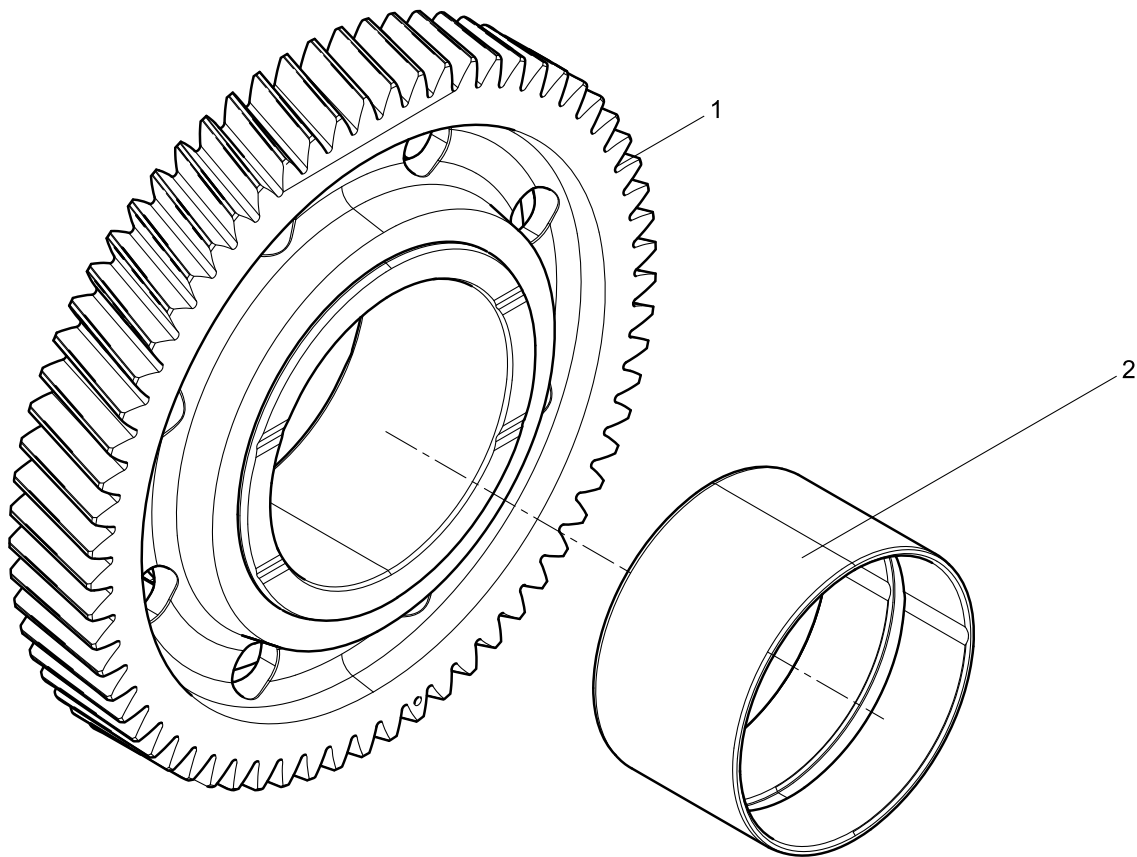
<b>Pos.</b>	<b>Part Number</b>	<b>Qty.</b>	<b>Part Name</b>
1	1000137287	1	Locknut
2	1000495390	1	Rocker arm assembly
3	1000878258	1	Adjusting Screw

### Gear Drive Group



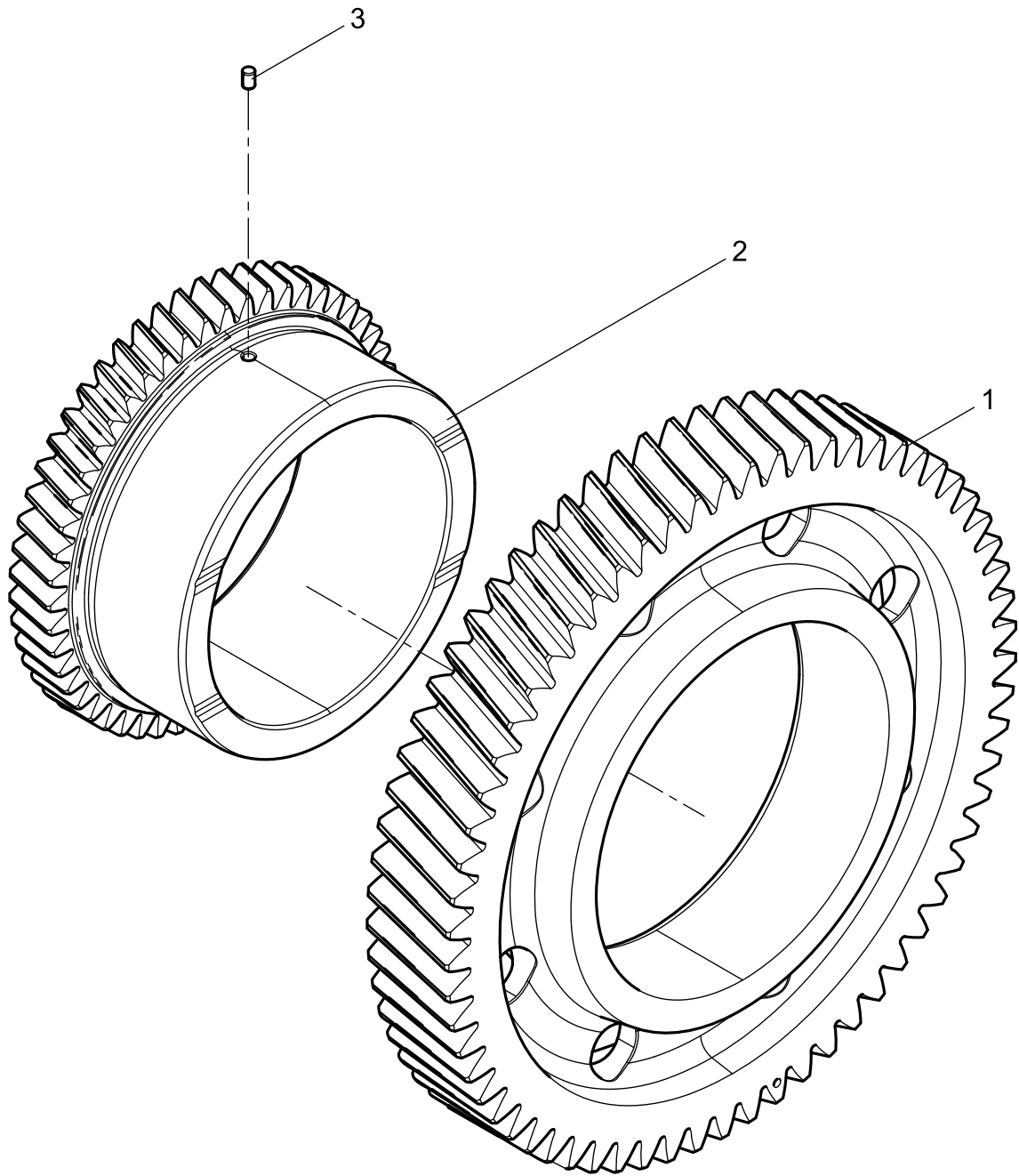


### Idler Gear Assembly





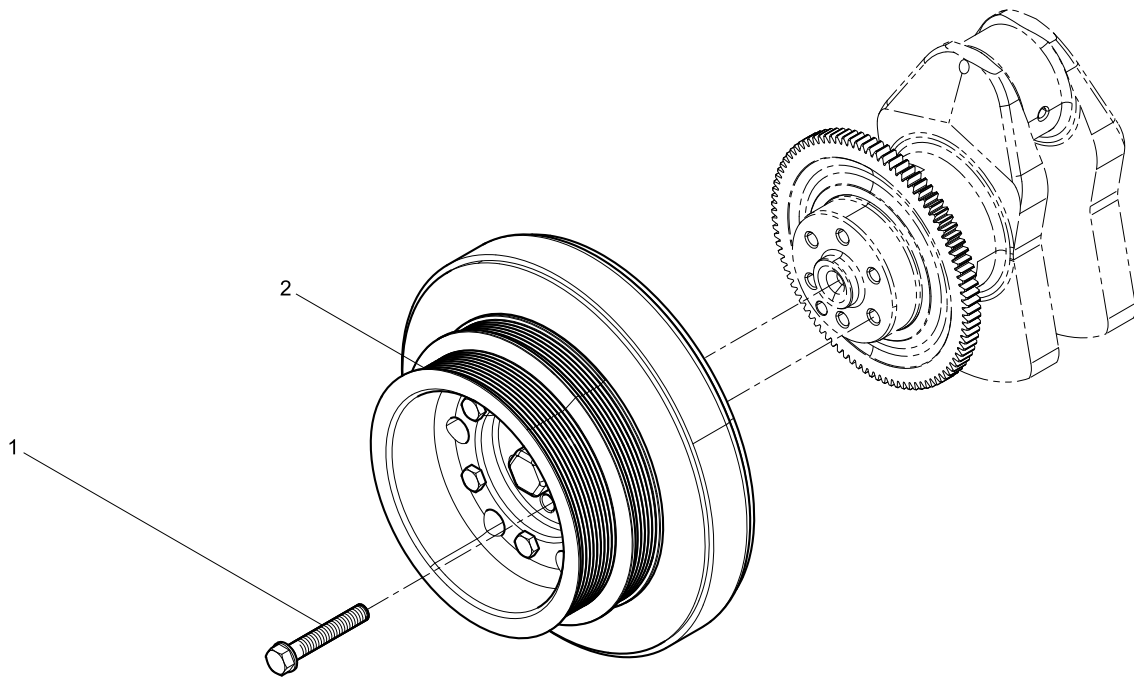
### Idler Gear Set



**Idler Gear Set**

<b>Pos.</b>	<b>Part Number</b>	<b>Qty.</b>	<b>Part Name</b>
1	612700030014	1	Big Idler Gear
2	612700030013	1	Small Idler Gear
3	90015200021	1	Parallel Pin

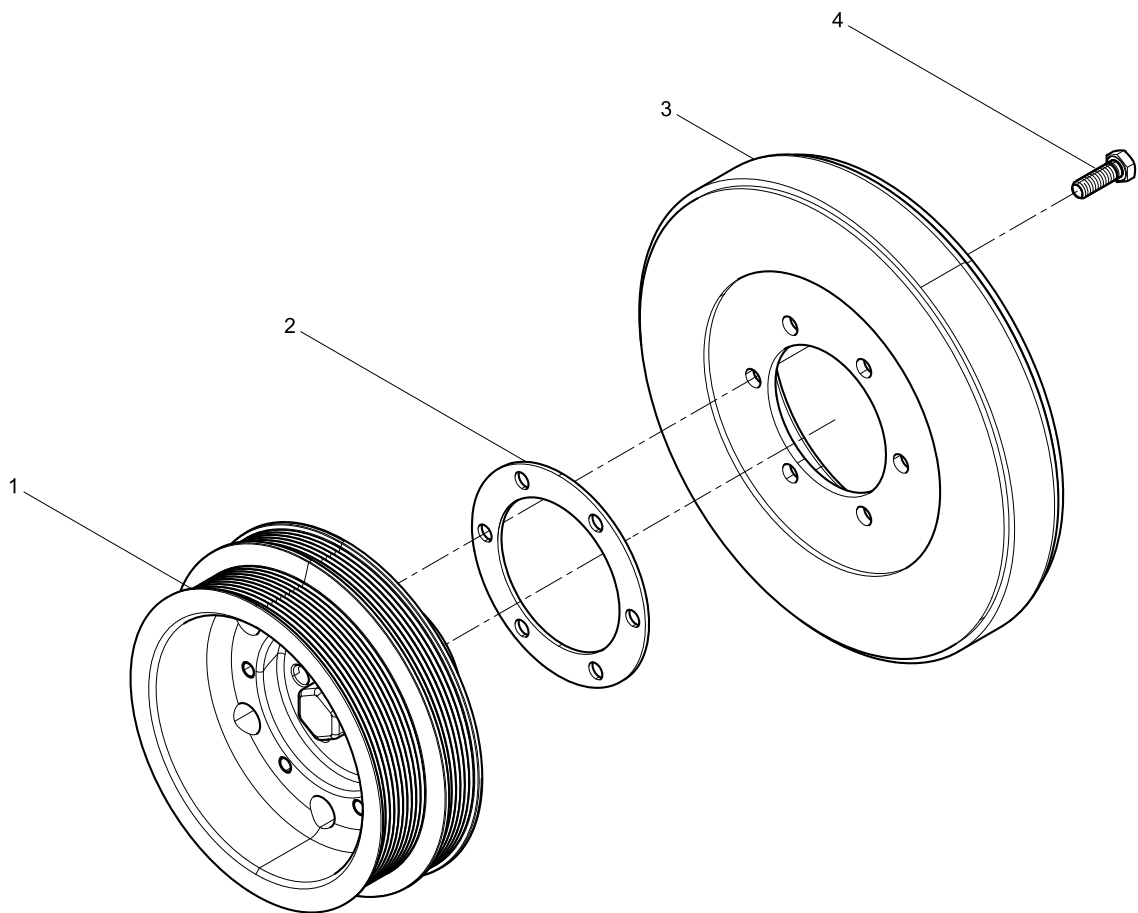
### Crankshaft Pulley Group



**Crankshaft Pulley Group**

Pos.	Part Number	Qty.	Part Name
1	612630020009	6	Hexagon Flange Bolt
2	612700020038	1	Crankshaft Pulley Assembly

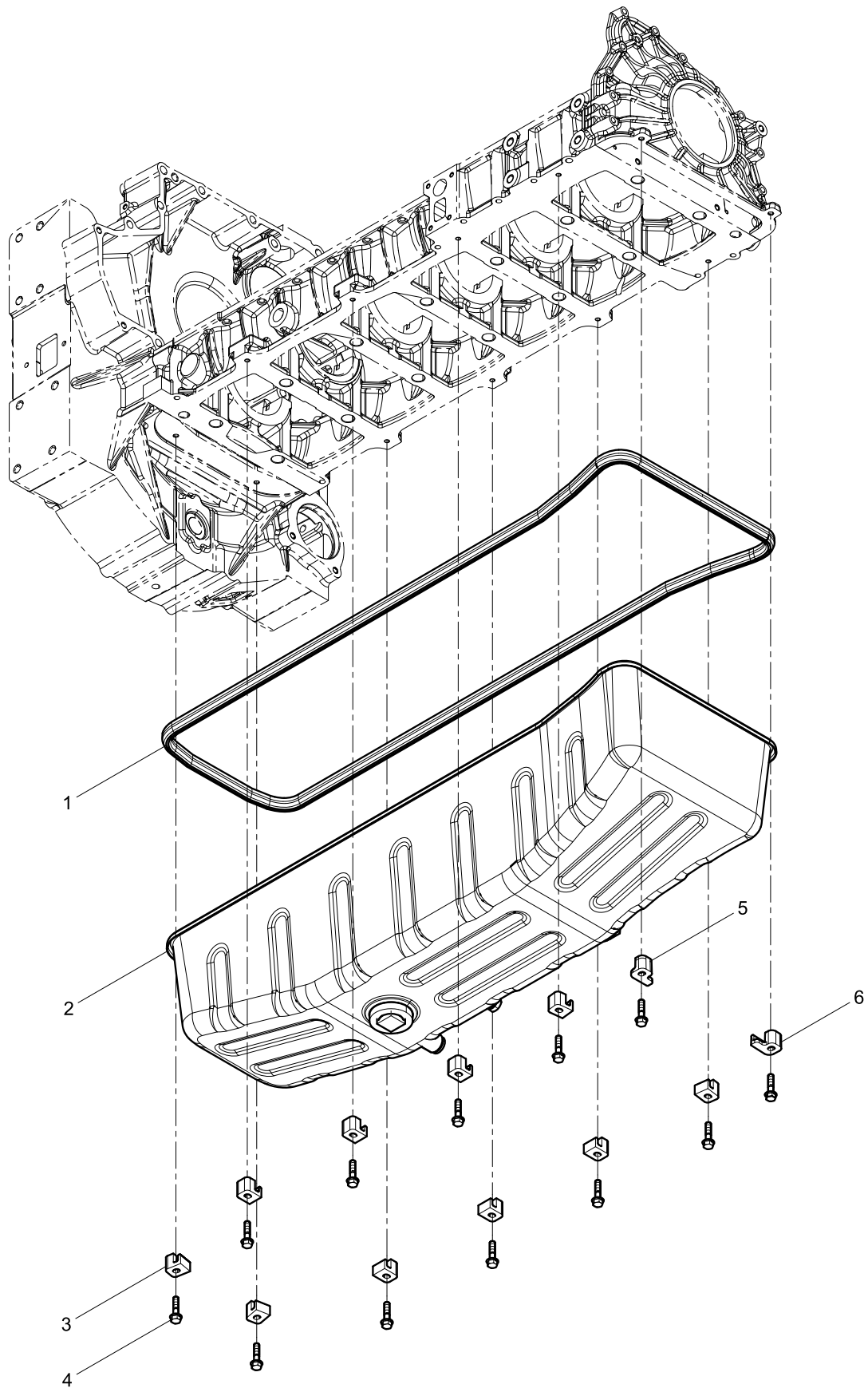
### Crankshaft Pulley Assembly



**Crankshaft Pulley Assembly**

<b>Pos.</b>	<b>Part Number</b>	<b>Qty.</b>	<b>Part Name</b>
1	1000278659	1	Crankshaft Pulley
2	612630020015	1	Gasket
3	612700020013	1	Torsional Vibration Dampers
4	90003802544	6	Hexagon Head Bolt

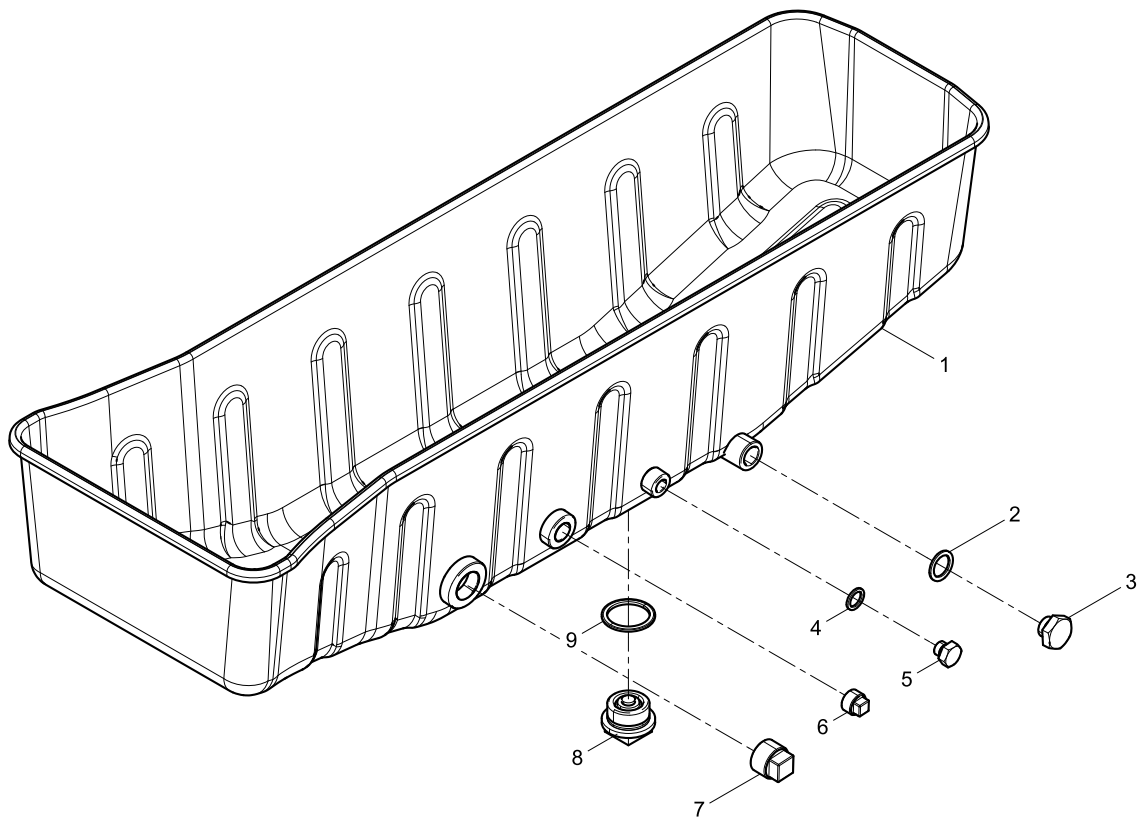
### Oil Pan Group



**Oil Pan Group**

<b>Pos.</b>	<b>Part Number</b>	<b>Qty.</b>	<b>Part Name</b>
1	612630010065	1	Washer
2	1000137514	1	Oil Pan Assembly
3	614150046	10	Retainer of Oil Pan
4	90011400039	12	Hexagon Flange Bolt
5	612630010419	1	Retainer of Oil Pan
6	612630010420	1	Retainer of Oil Pan

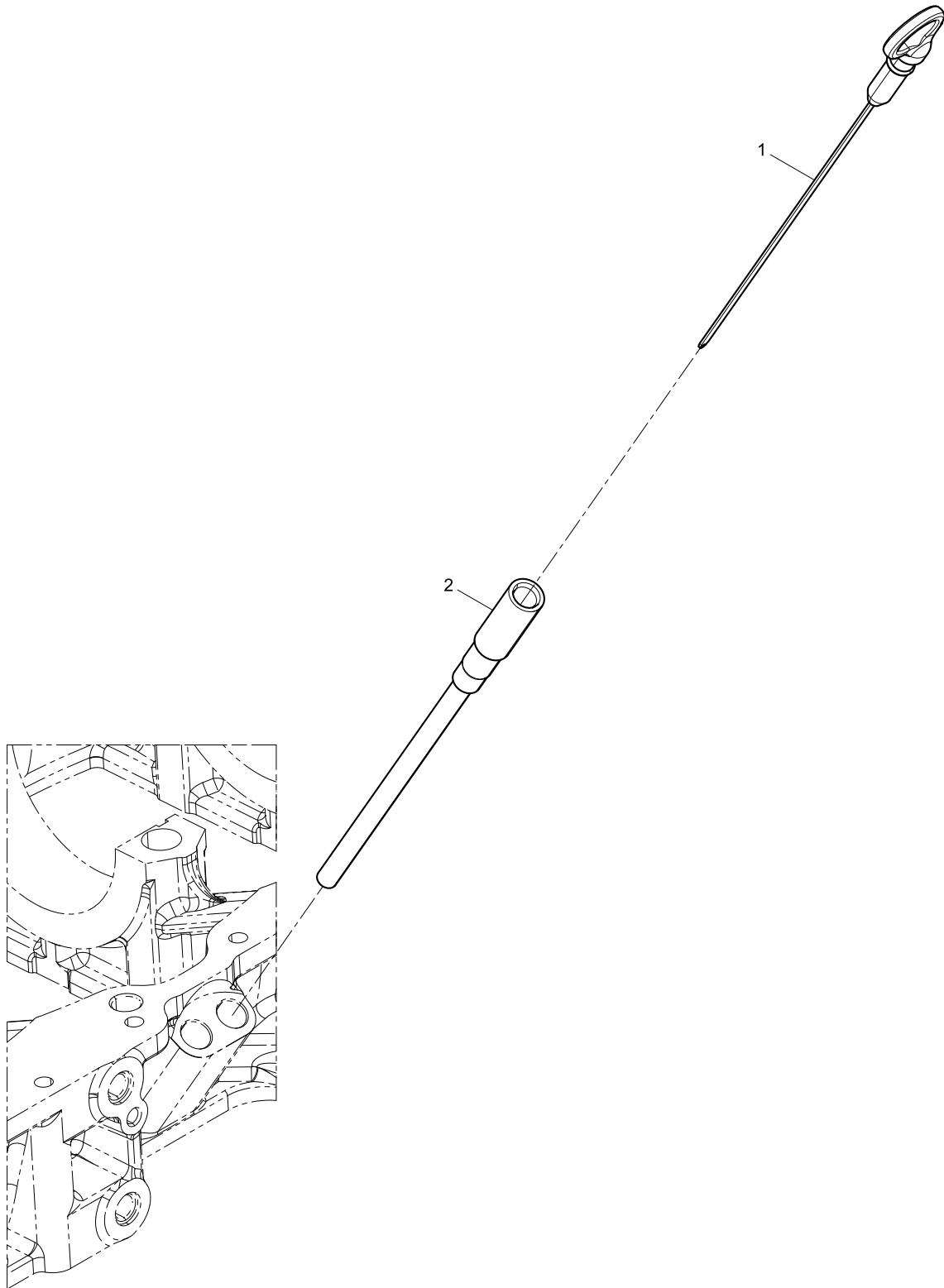
### Oil Pan Assembly



**Oil Pan Assembly**

<b>Pos.</b>	<b>Part Number</b>	<b>Qty.</b>	<b>Part Name</b>
1	1000133792	1	Oil Pan Set
2	90003098026	1	Sealing Washer
3	90003962025	1	Hexagon Screw Plug
4	90003098016	1	Sealing Washer
5	90003960005	1	Hexagon Screw Plug
6	612600150273	1	Screw Plug
7	612600150274	1	Screw Plug
8	612600150251	1	Magnetic Screw Plug Assembly
9	1001063409	1	Assembled Sealing Washer

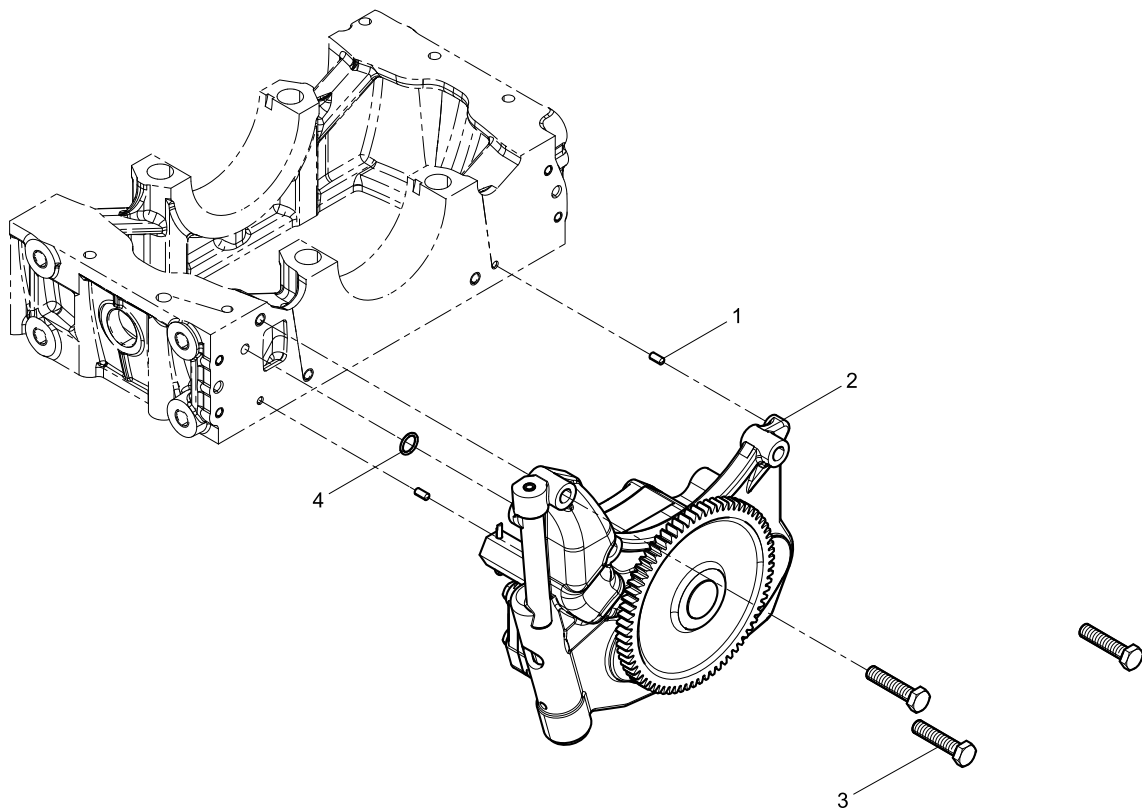
## Dipstick Group



**Dipstick Group**

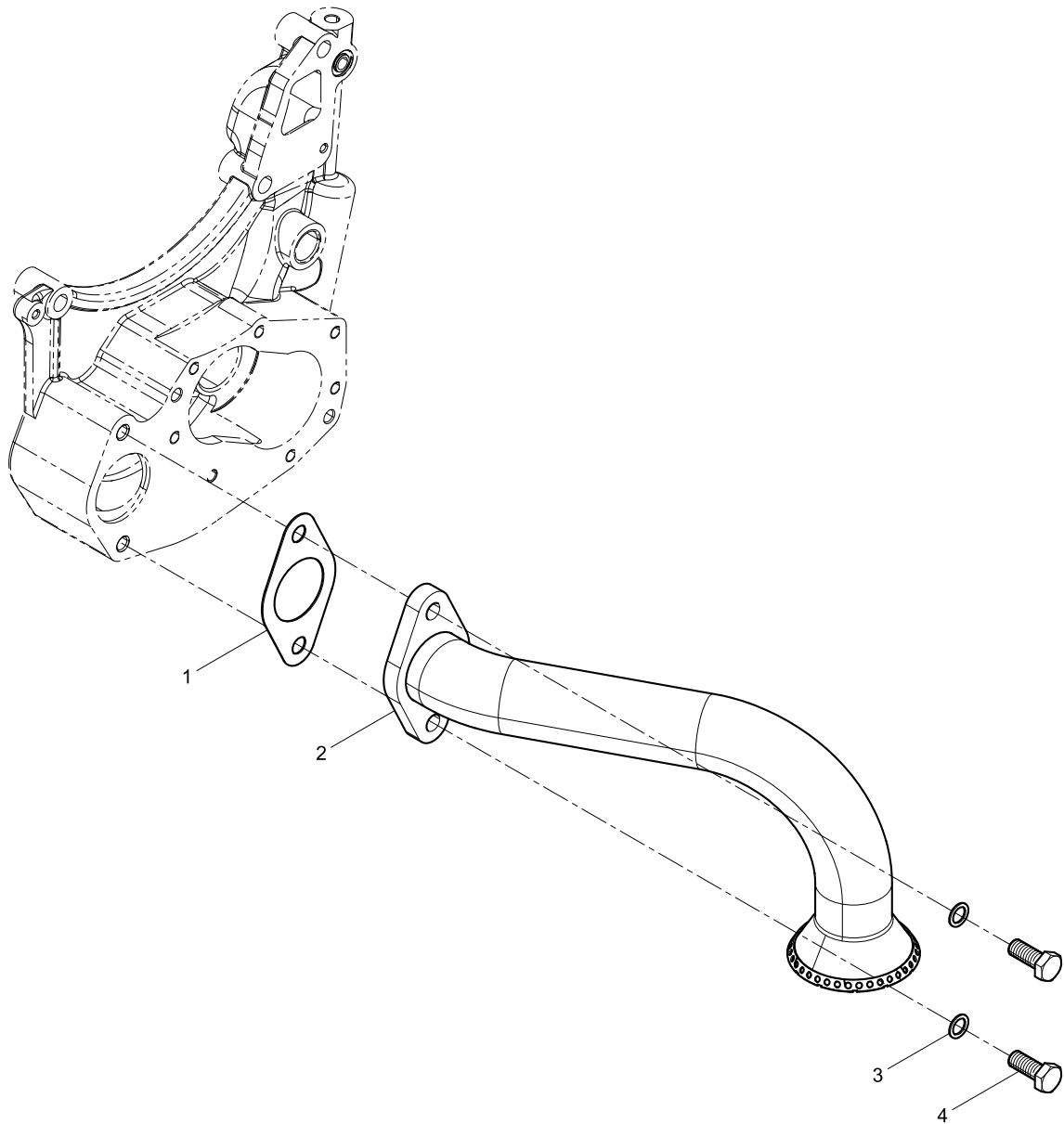
<b>Pos.</b>	<b>Part Number</b>	<b>Qty.</b>	<b>Part Name</b>
1	612600012725	1	Dipstick
2	612630010100	1	Dipstick Pipe Set

## Oil Pump Group



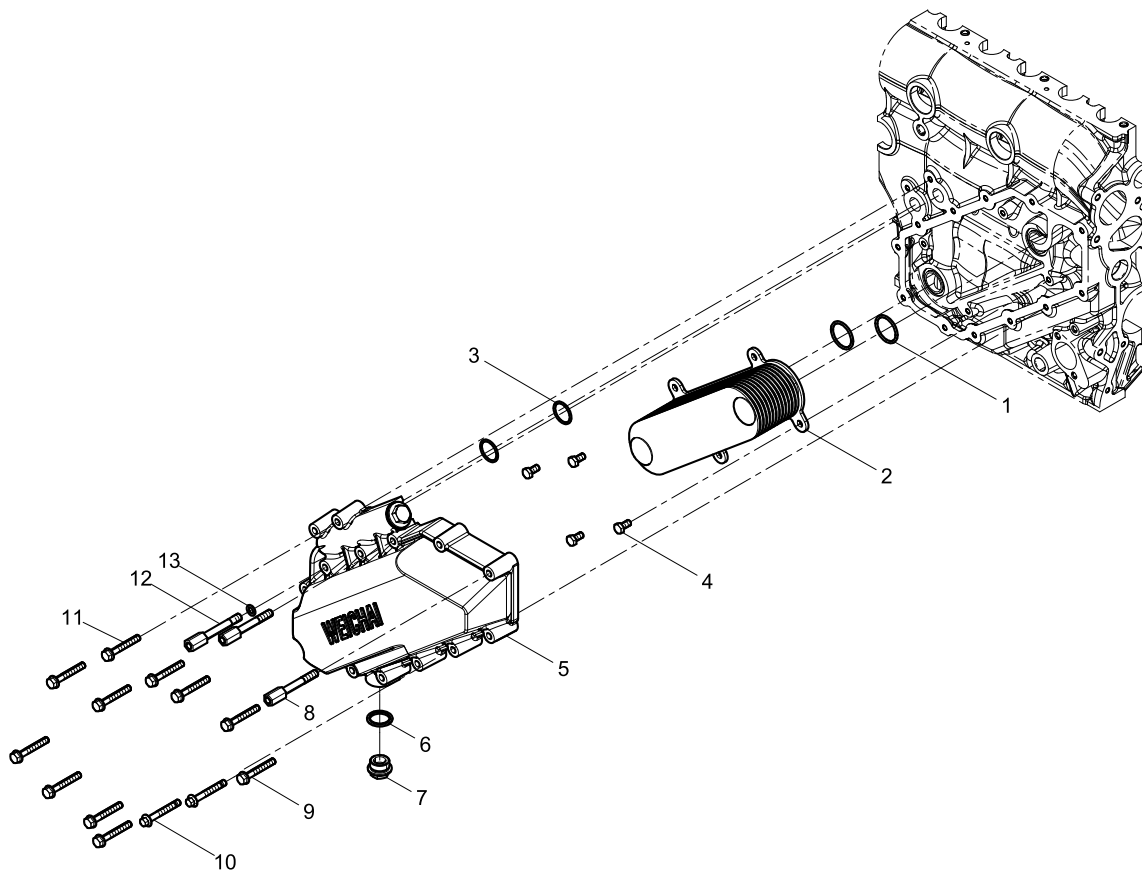


### Oil Strainer Group





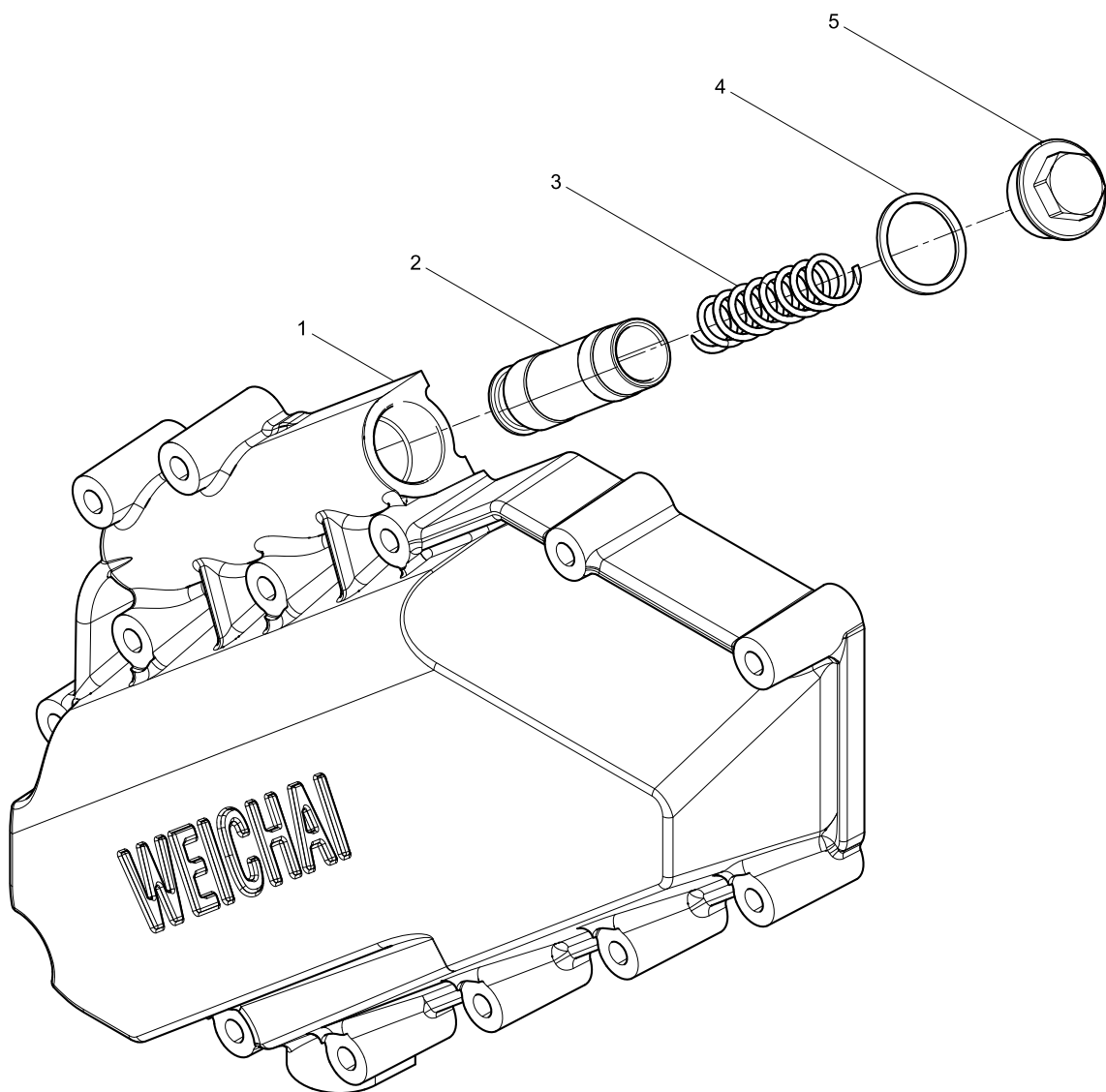
## Oil Cooler Group



**Oil Cooler Group**

<b>Pos.</b>	<b>Part Number</b>	<b>Qty.</b>	<b>Part Name</b>
1	612630010107	2	O-ring
2	612700010021	1	Oil Cooler Assembly
3	612639000072	2	O-ring
4	90003802411S	4	Hexagon Head Bolt
5	1001080940	1	Oil Cooler Cap Assembly
6	612630010382	1	Assembled Sealing Washer
7	612639000067	1	Screw Plug
8	1000181085	2	Back-up Block
9	612639000073	9	Hexagon Head Bolt
10	90011410006	2	Hexagon Flange Bolt
11	90003802402	2	Hexagon Head Bolt
12	612600013554	1	Back-up Block
13	90003932023	1	Wave Spring Washer

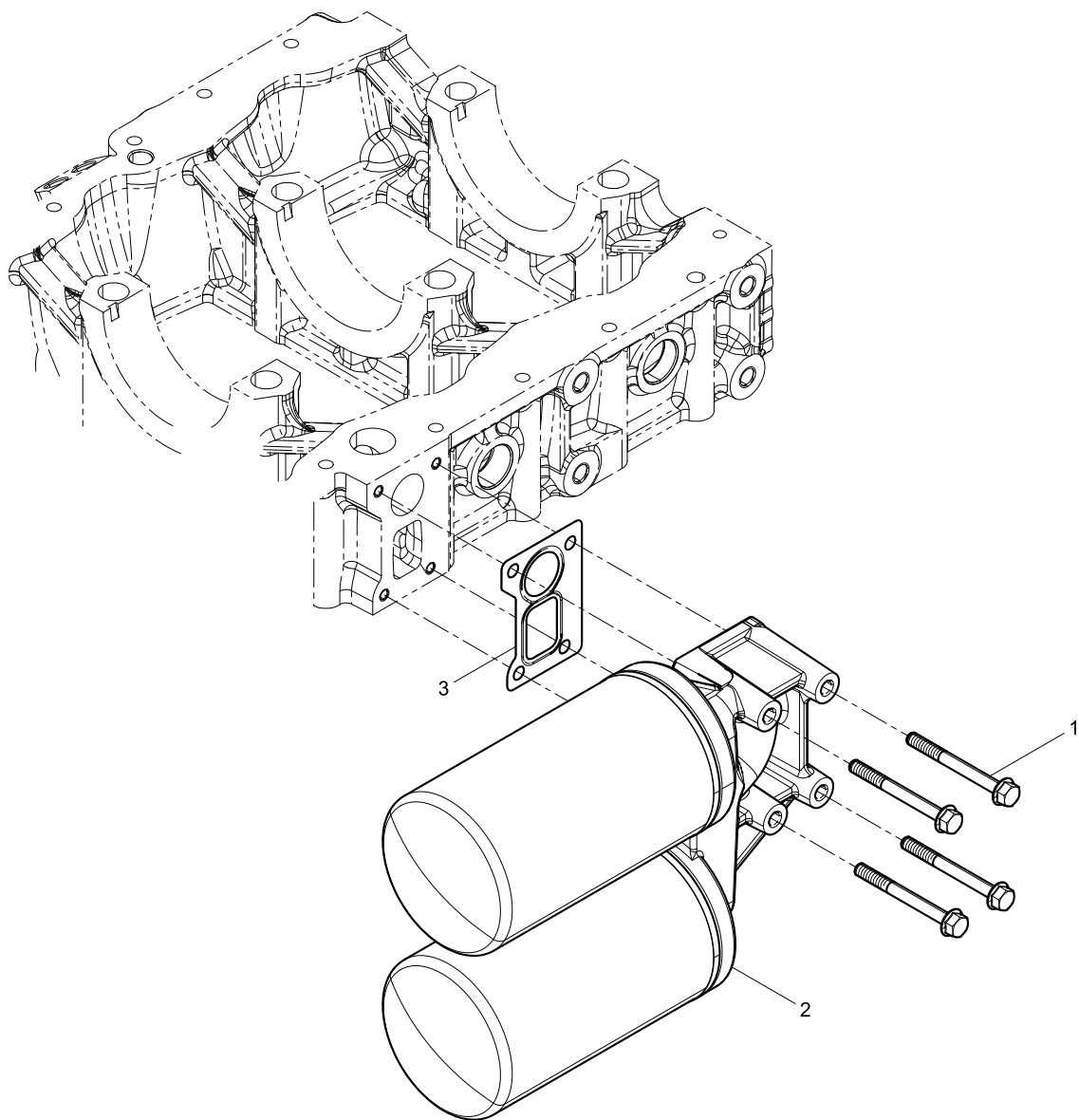
### Oil Cooler Cap Assembly



**Oil Cooler Cap Assembly**

<b>Pos.</b>	<b>Part Number</b>	<b>Qty.</b>	<b>Part Name</b>
1	1001080885	1	Oil Cooler Cap
2	612630010052	1	Valve Body
3	612630010081	1	Return Spring
4	612639000069	1	Washer
5	612639000044	1	Screw Plug

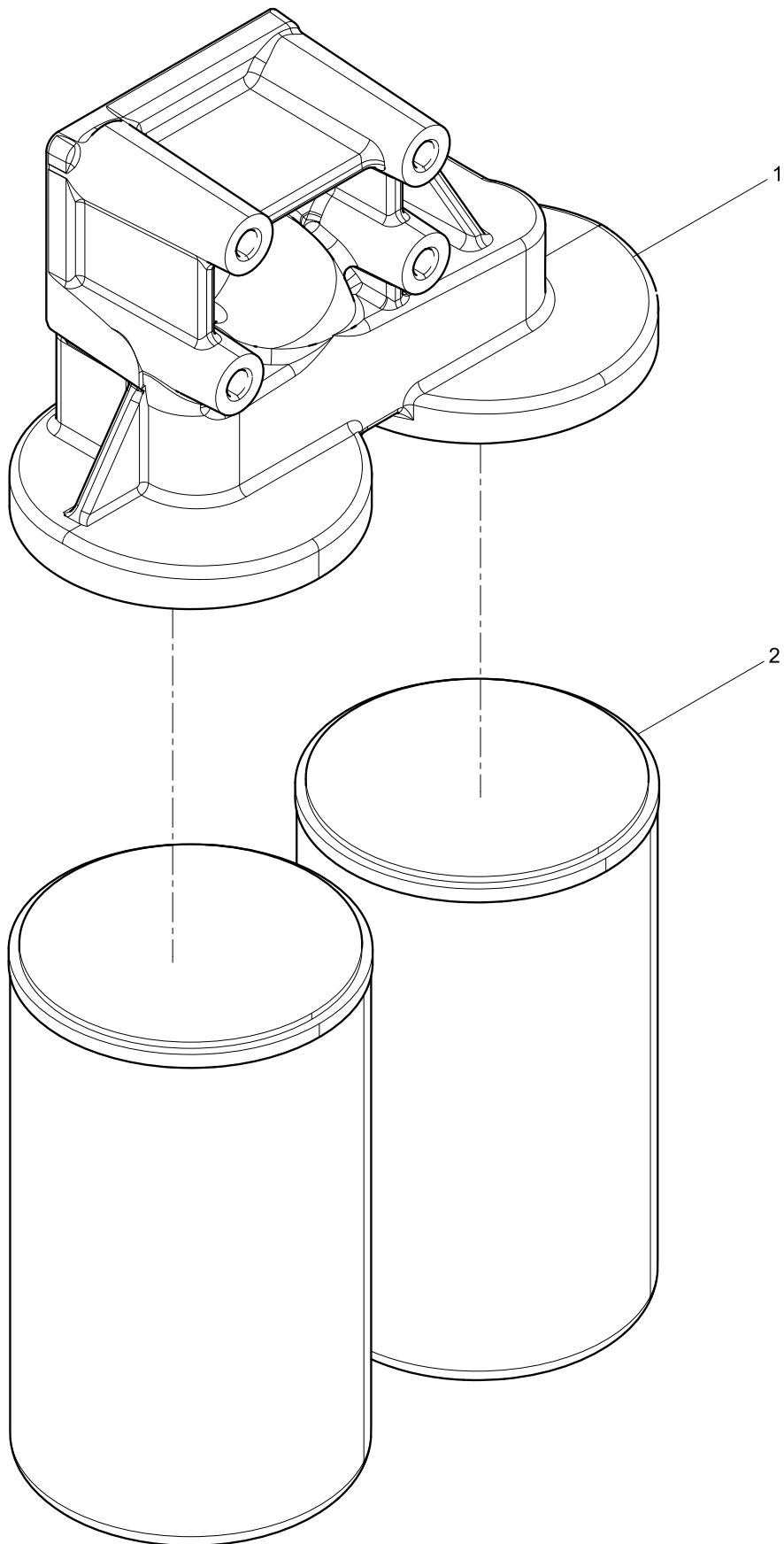
### Oil Filter Group



**Oil Filter Group**

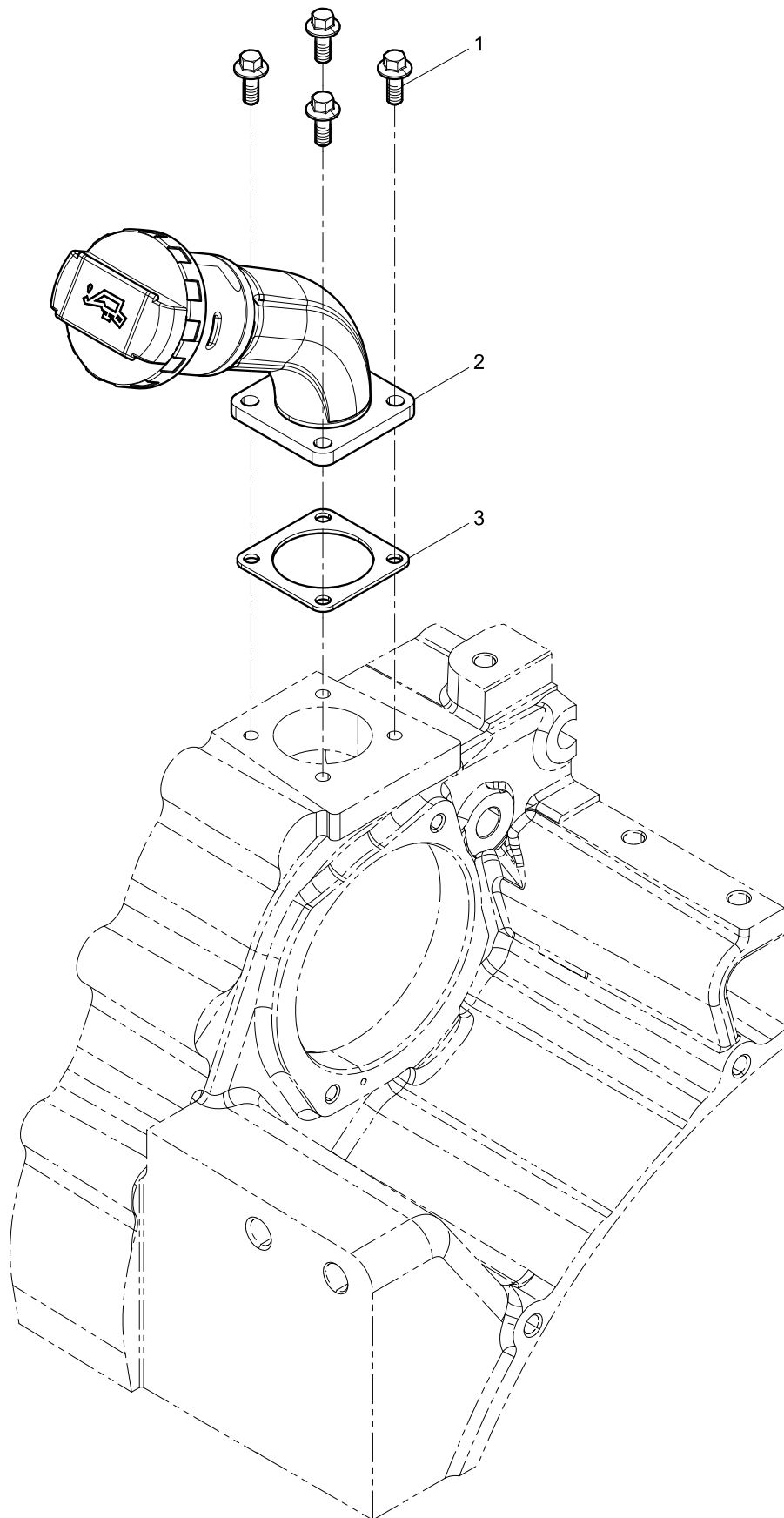
<b>Pos.</b>	<b>Part Number</b>	<b>Qty.</b>	<b>Part Name</b>
1	612639000078S	4	Hexagon Head Bolt
2	1001046569	1	Oil Filter
3	612630010660	1	Oil Filter Base Gasket

### Oil Filter





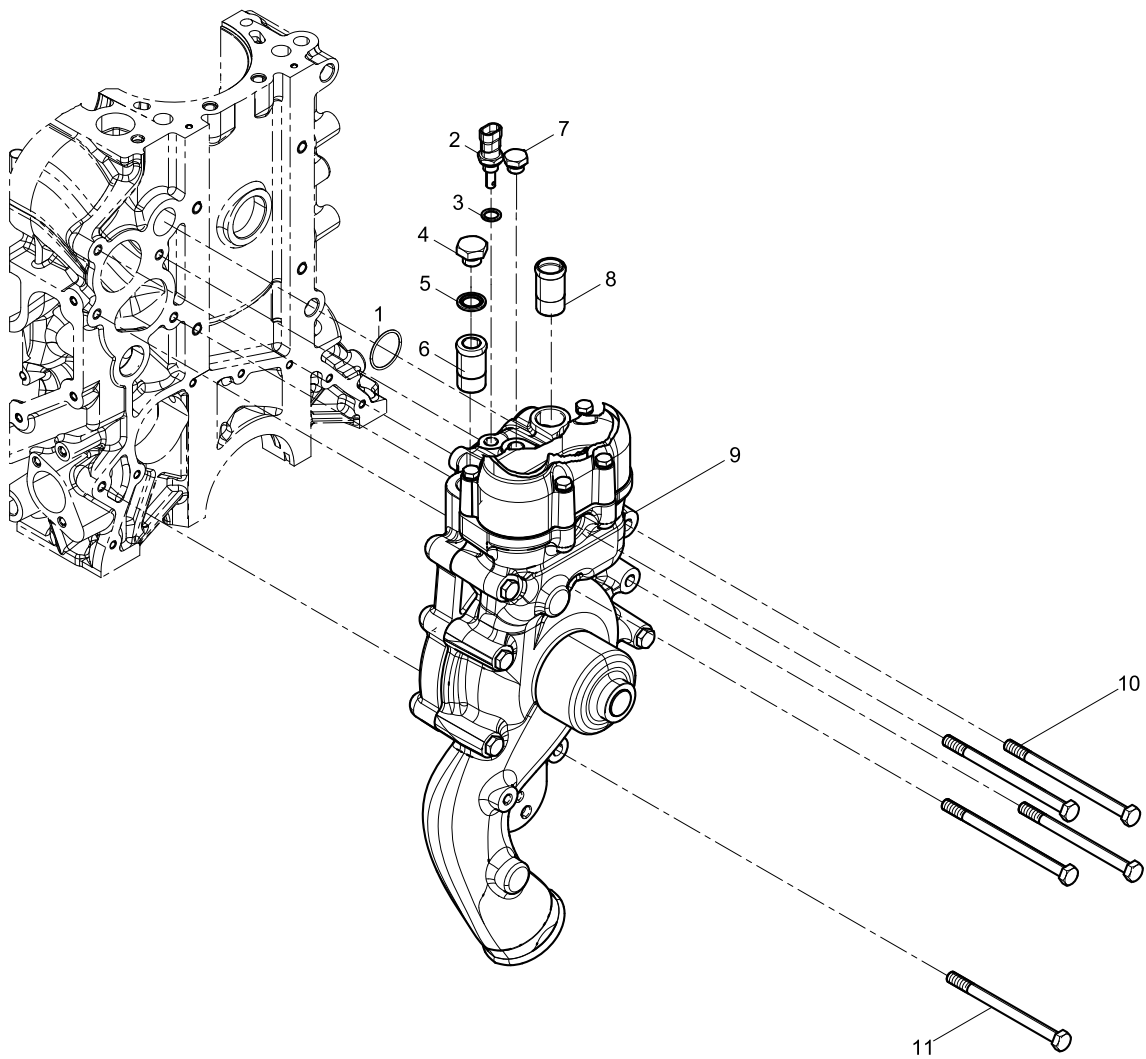
### Oil Filling Tube Group



**Oil Filling Tube Group**

<b>Pos.</b>	<b>Part Number</b>	<b>Qty.</b>	<b>Part Name</b>
1	9000000719	4	Hexagon Flange Bolt
2	612630010804	1	Oil Filling Tube Assembly
3	612600013956	1	Gasket

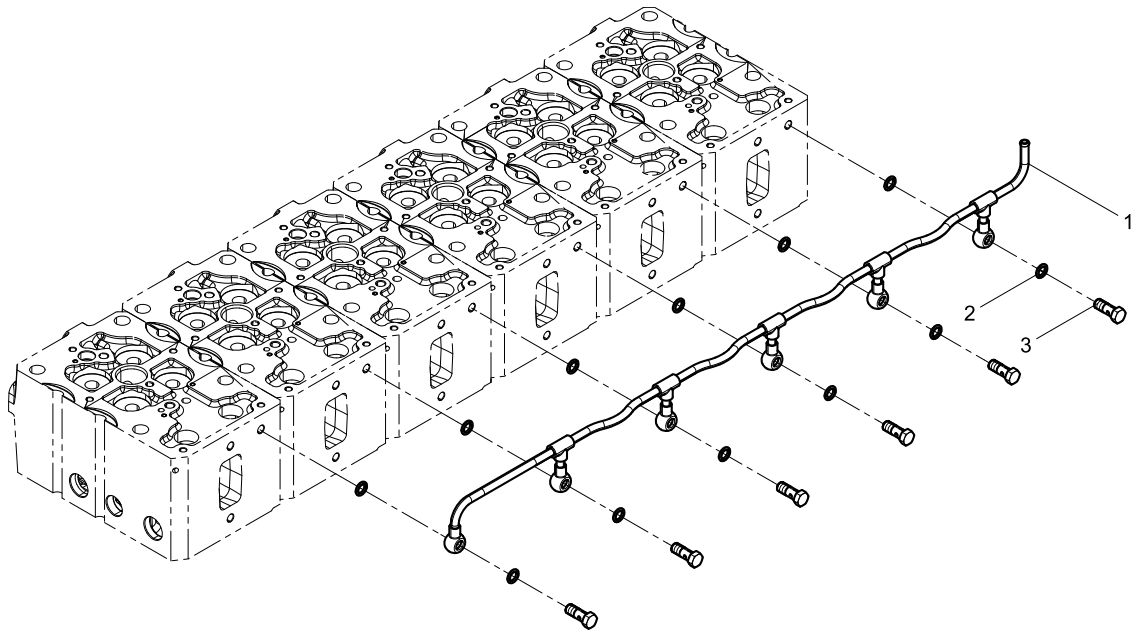
### Water Pump Group



**Water Pump Group**

<b>Pos.</b>	<b>Part Number</b>	<b>Qty.</b>	<b>Part Name</b>
1	612630060056	1	Seal Ring
2	612630060035	1	Temperature Sensor
3	612600080200	1	Washer
4	90017020003	1	Hexagon Screw Plug
5	13023361	1	Assembled Sealing Washer
6	612630060945	1	Conversion Adapter
7	90003962020	1	Hexagon Screw Plug
8	612630060034	1	Water Pipe Connector
9	1001803757	1	Water Pump
10	612639000100	4	Hexagon Head Bolt
11	90011350024	1	Hexagon Head Bolt

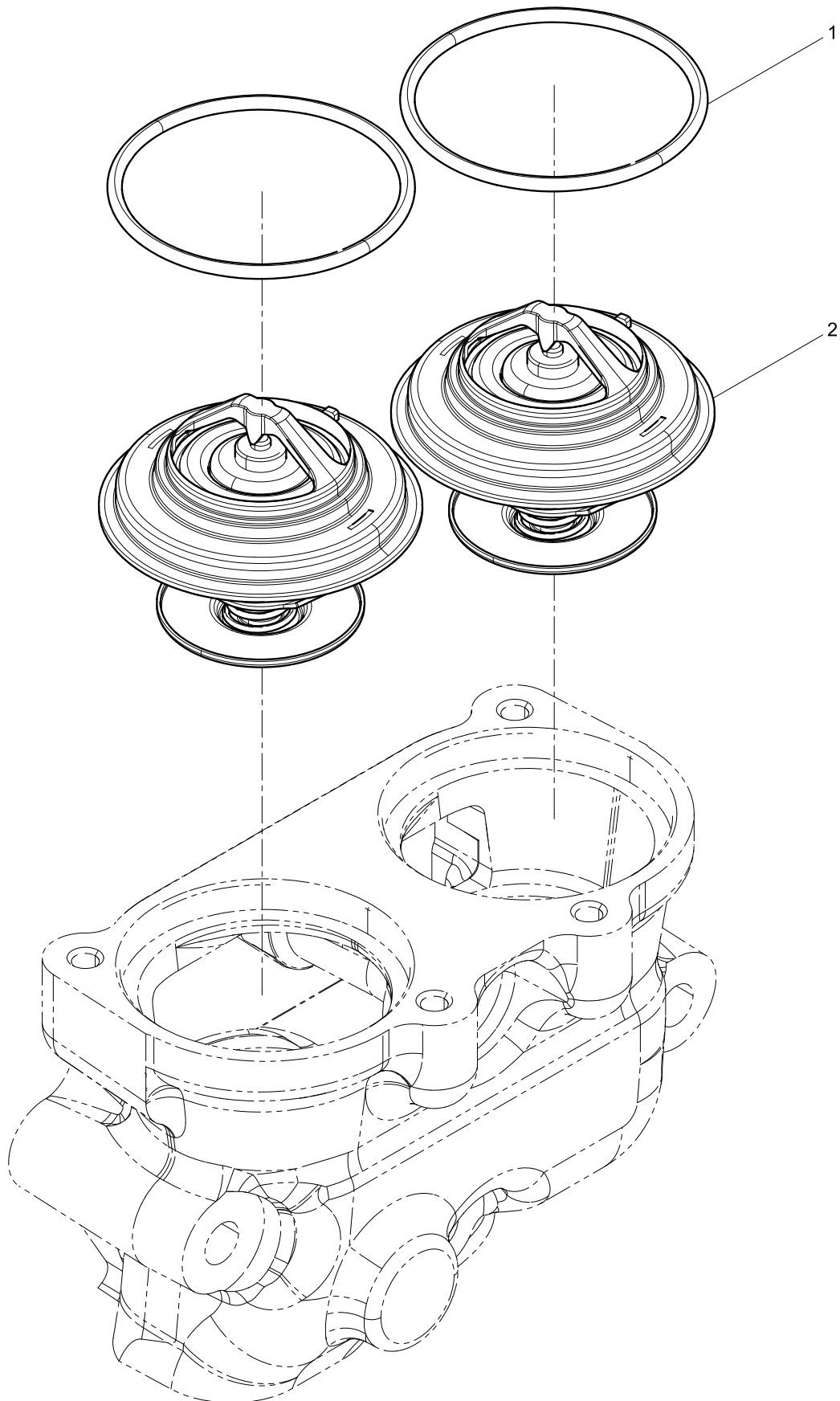
## Venting Pipe Group



**Venting Pipe Group**

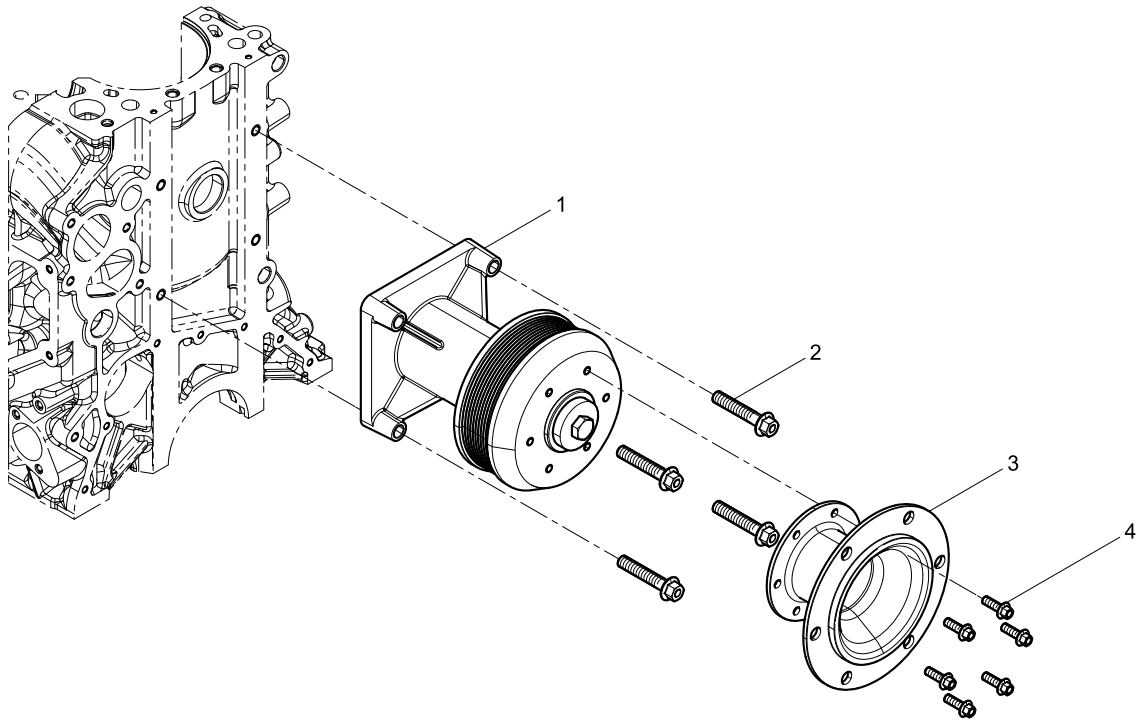
<b>Pos.</b>	<b>Part Number</b>	<b>Qty.</b>	<b>Part Name</b>
1	612630040128	1	Venting Pipe Assembly
2	1001063336	12	Assembled Sealing Washer
3	1001423223	6	Bolt

### Thermostat Group





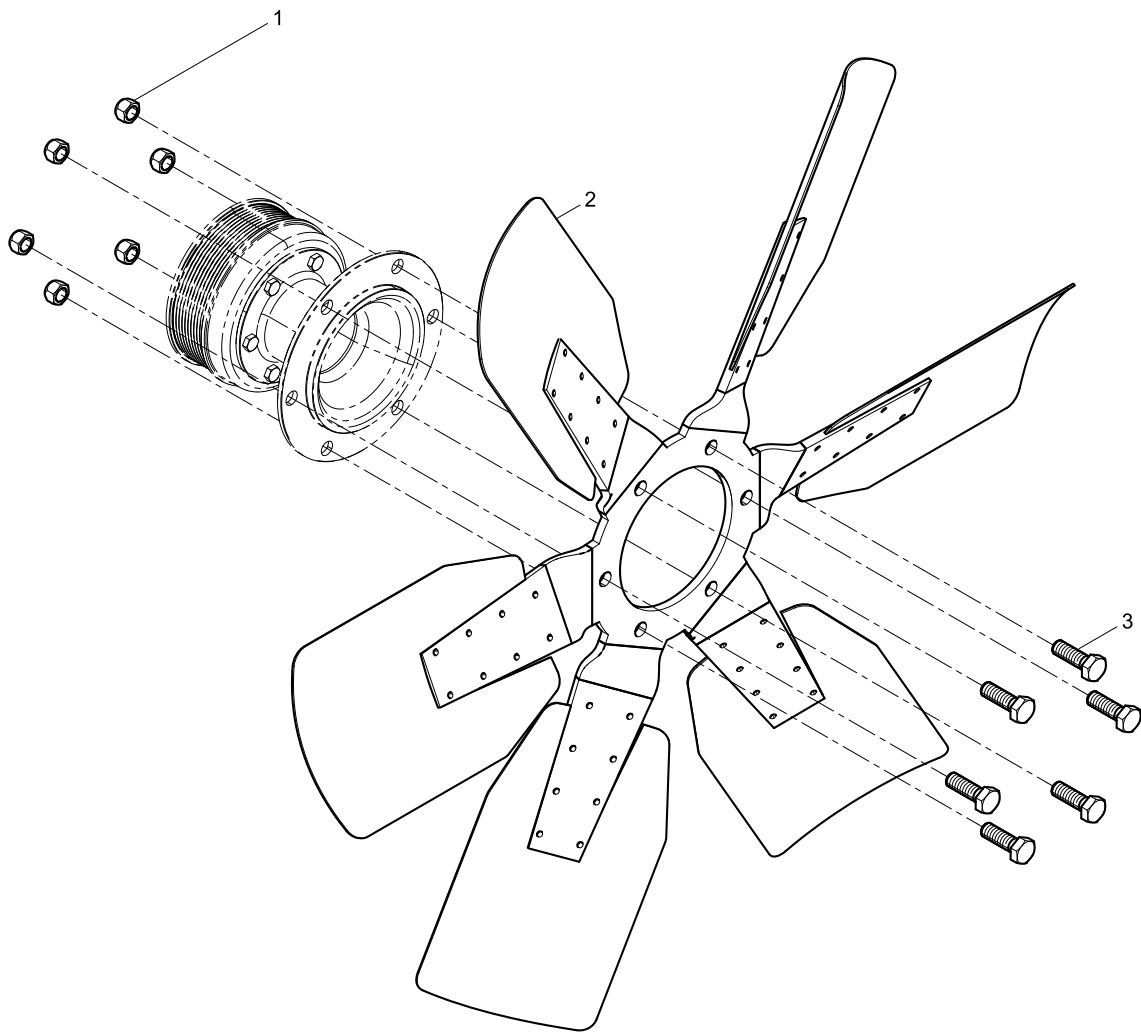
## Fan Bracket Group



**Fan Bracket Group**

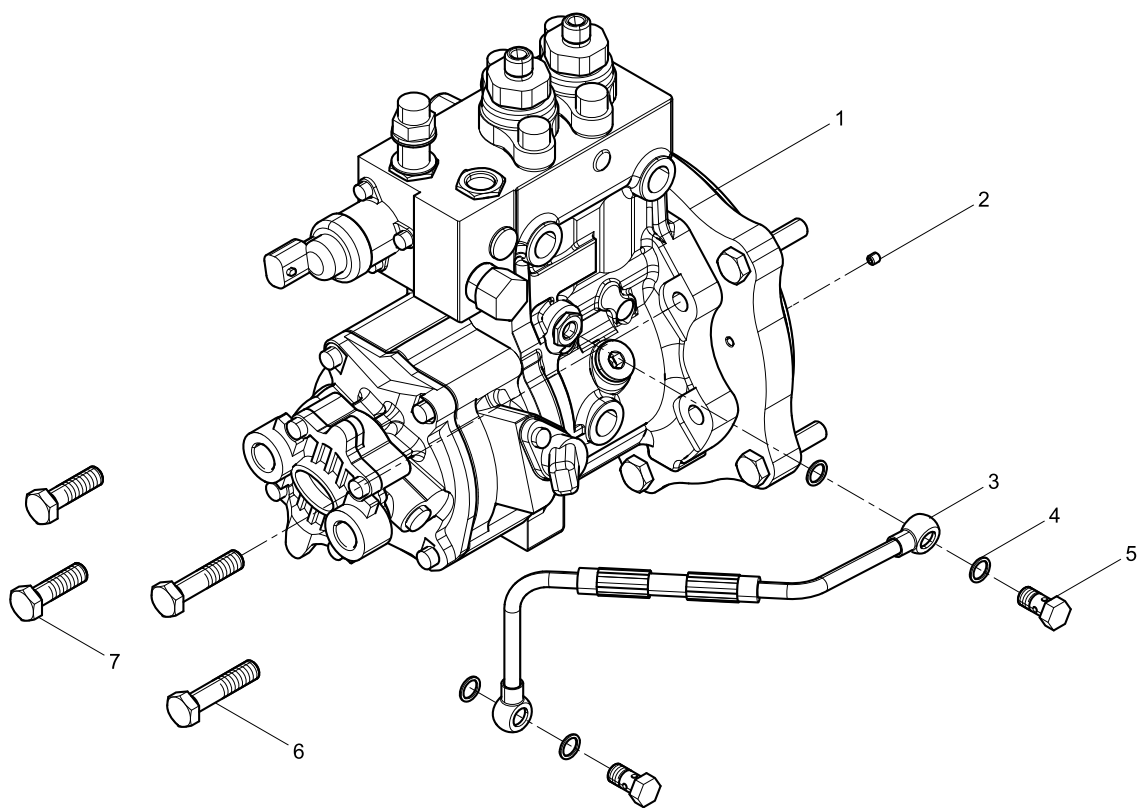
<b>Pos.</b>	<b>Part Number</b>	<b>Qty.</b>	<b>Part Name</b>
1	1000951587	1	Fan Bracket Assembly
2	9000000120	4	Hexagon Flange Bolt
3	612630060376	1	Connecting Shaft
4	90011420017	6	Hexagon Flange Bolt

### Fan and Hub Group





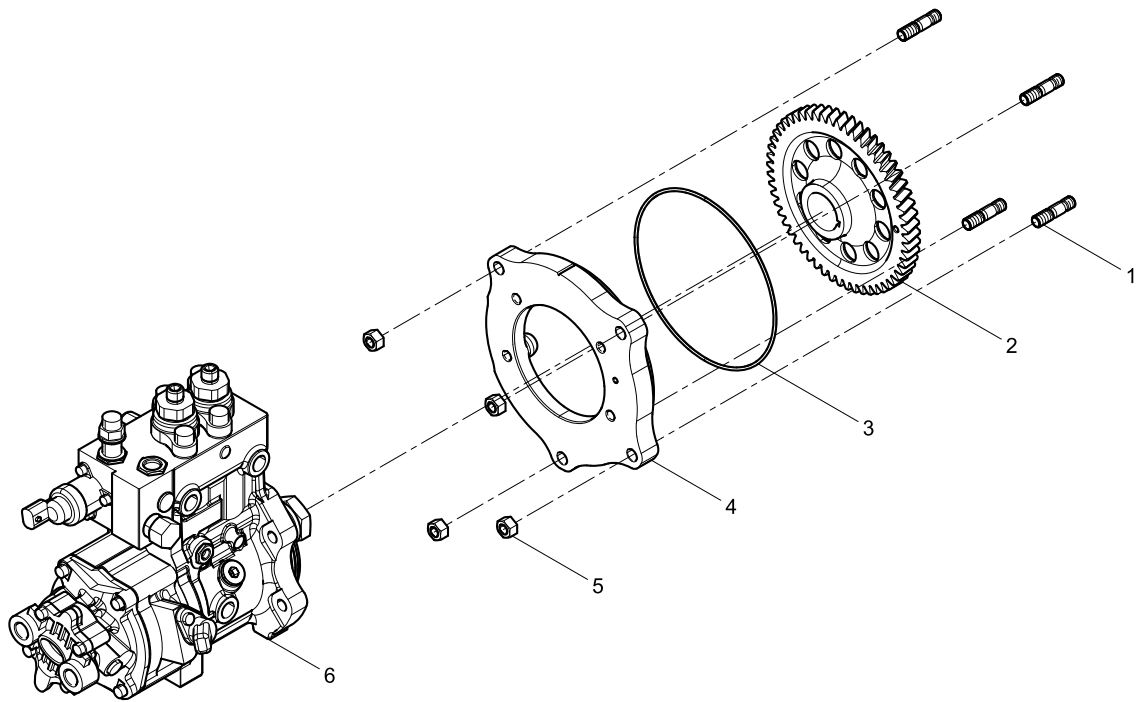
## High Pressure Pump Group



**High Pressure Pump Group**

<b>Pos.</b>	<b>Part Number</b>	<b>Qty.</b>	<b>Part Name</b>
1	612700030016	1	Fuel Injection Pump Set
2	1000391990M	1	Inner Hexagon Socket Head Cap Screw
3	612630030311	1	Fuel Injection Pump Oil Pipe Assembly
4	1001063336	4	Assembled Sealing Washer
5	612639000047	2	Bolt
6	90003802542S	2	Hexagon Head Bolt
7	90003802532S	2	Hexagon Head Bolt

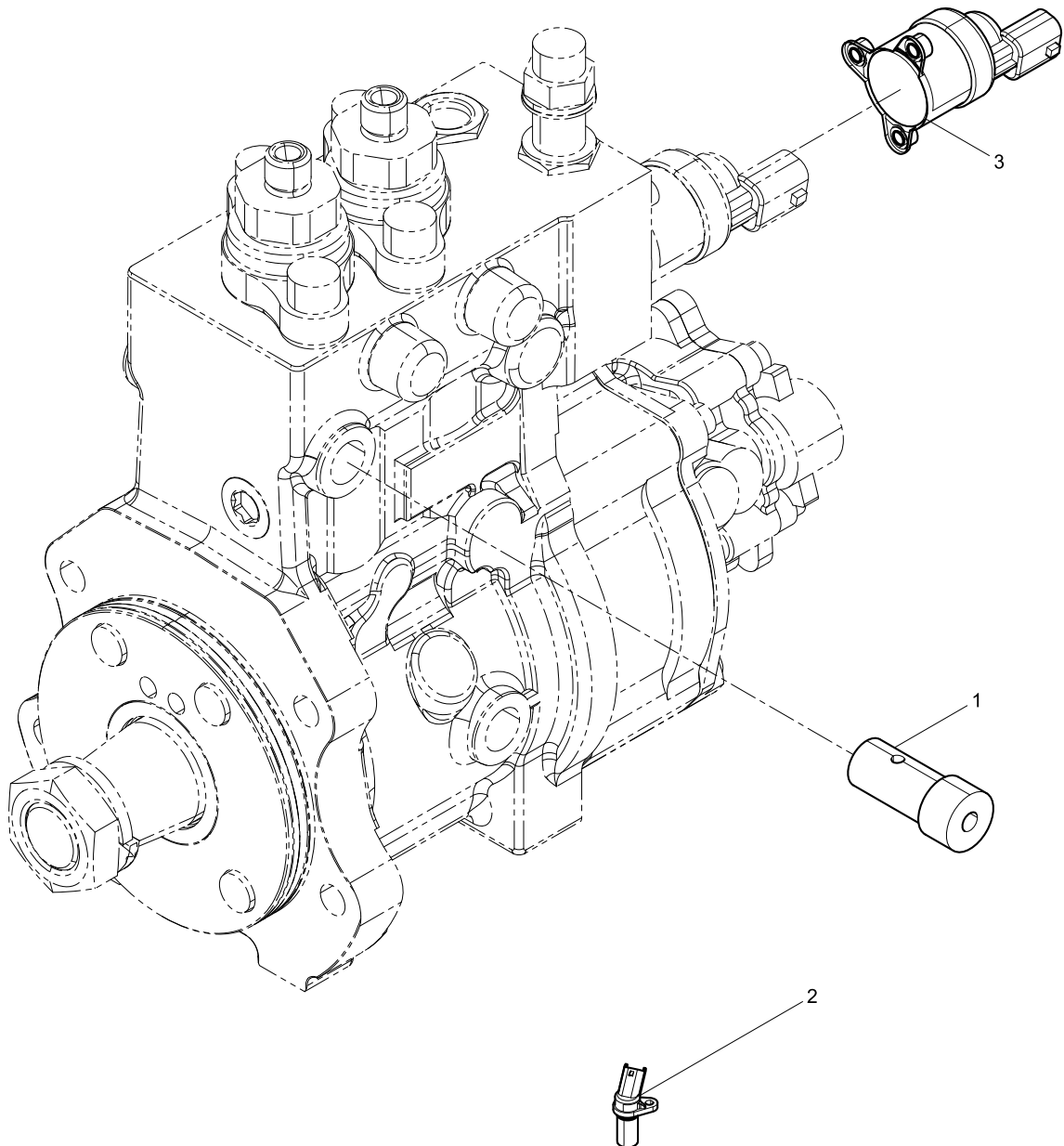
## Fuel Injection Pump Set



**Fuel Injection Pump Set**

Pos.	Part Number	Qty.	Part Name
1	90003813532S	4	Double End Stud
2	612700030004	1	Fuel Injection Pump Gear
3	612700030010	1	Seal Ring
4	1001133985	1	Fuel Injection Pump Flange
5	90003888452	4	Hexagon Nut
6	612640080039	1	Fuel Injection Pump Assembly

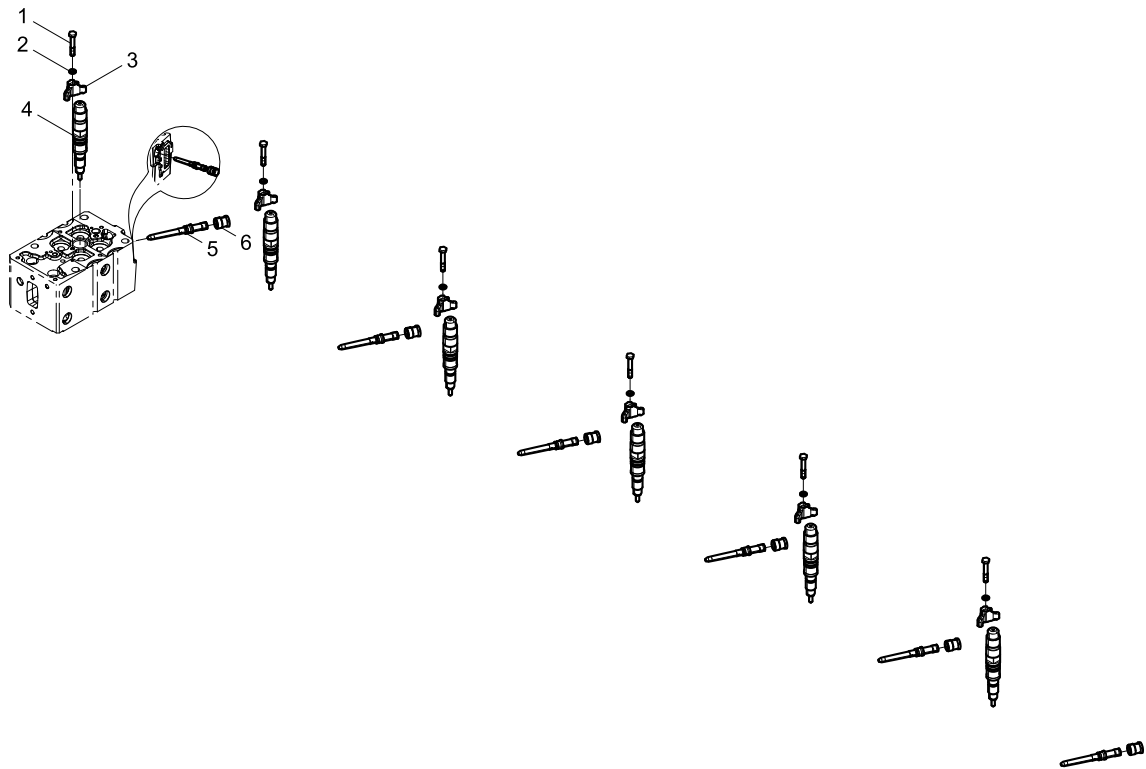
### Fuel Injection Pump Assembly



**Fuel Injection Pump Assembly**

<b>Pos.</b>	<b>Part Number</b>	<b>Qty.</b>	<b>Part Name</b>
1	612600081584	1	Fuel Return Valve
2	612630030007	1	Speed Sensor
3	612600081583	1	Metering Unit

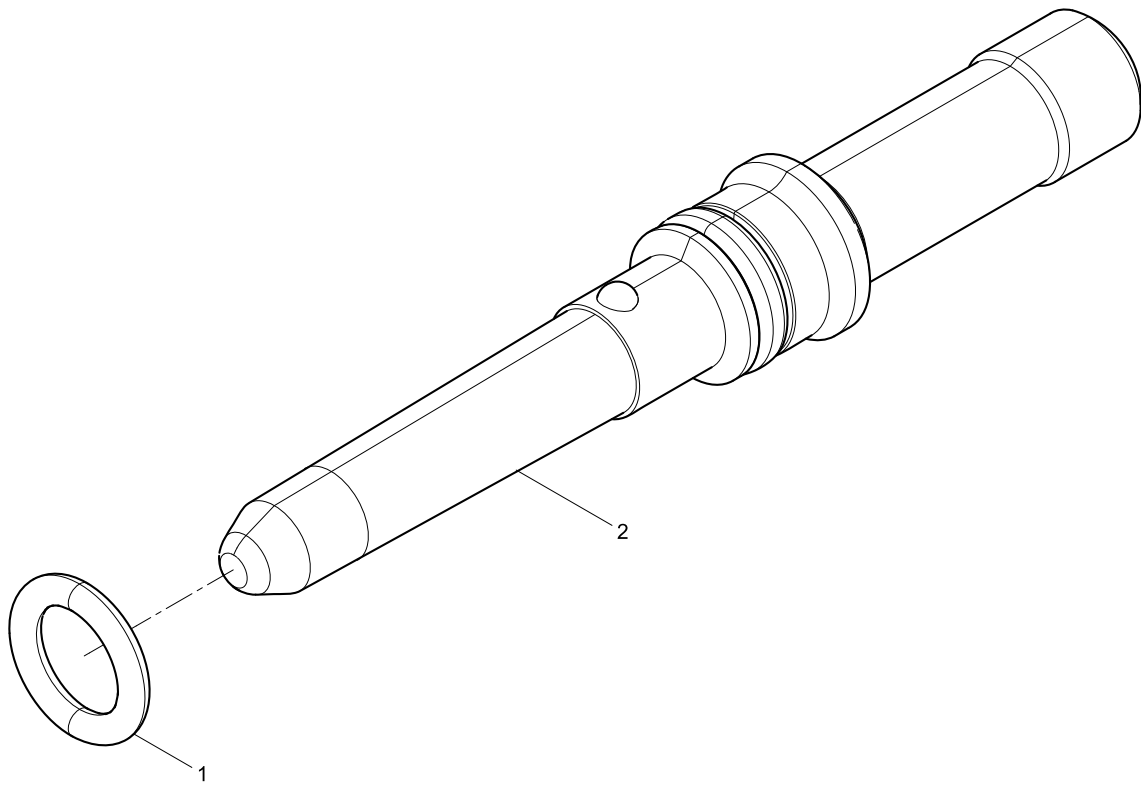
## Fuel Injector Group



**Fuel Injector Group**

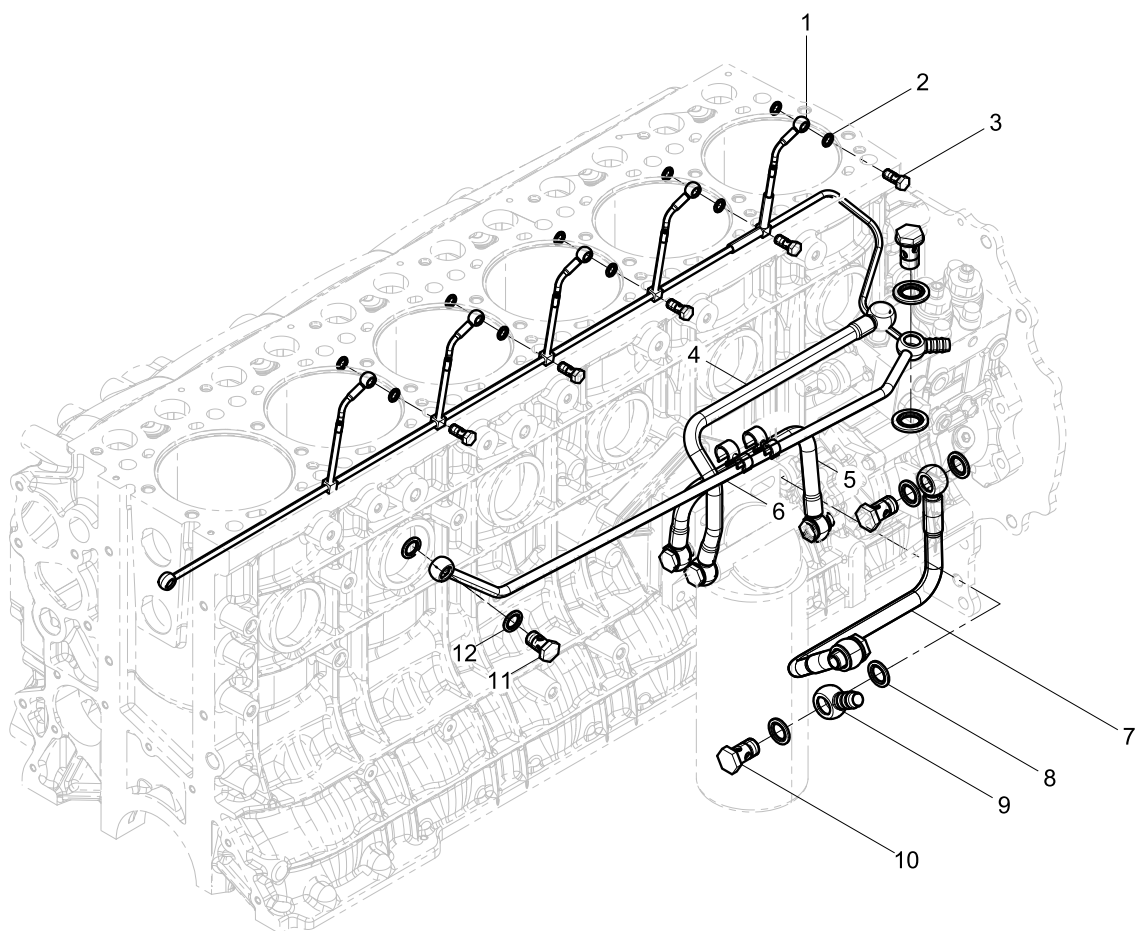
<b>Pos.</b>	<b>Part Number</b>	<b>Qty.</b>	<b>Part Name</b>
1	90011350017	6	Hexagon Head Bolt
2	612639000016	6	Washer with Ball Face
3	612630090002	6	Fuel Injector Clamp
4	612630090025	6	Fuel Injector
5	612630090004	6	High-pressure Connector
6	612630090006	6	Nut

## High-pressure Connector





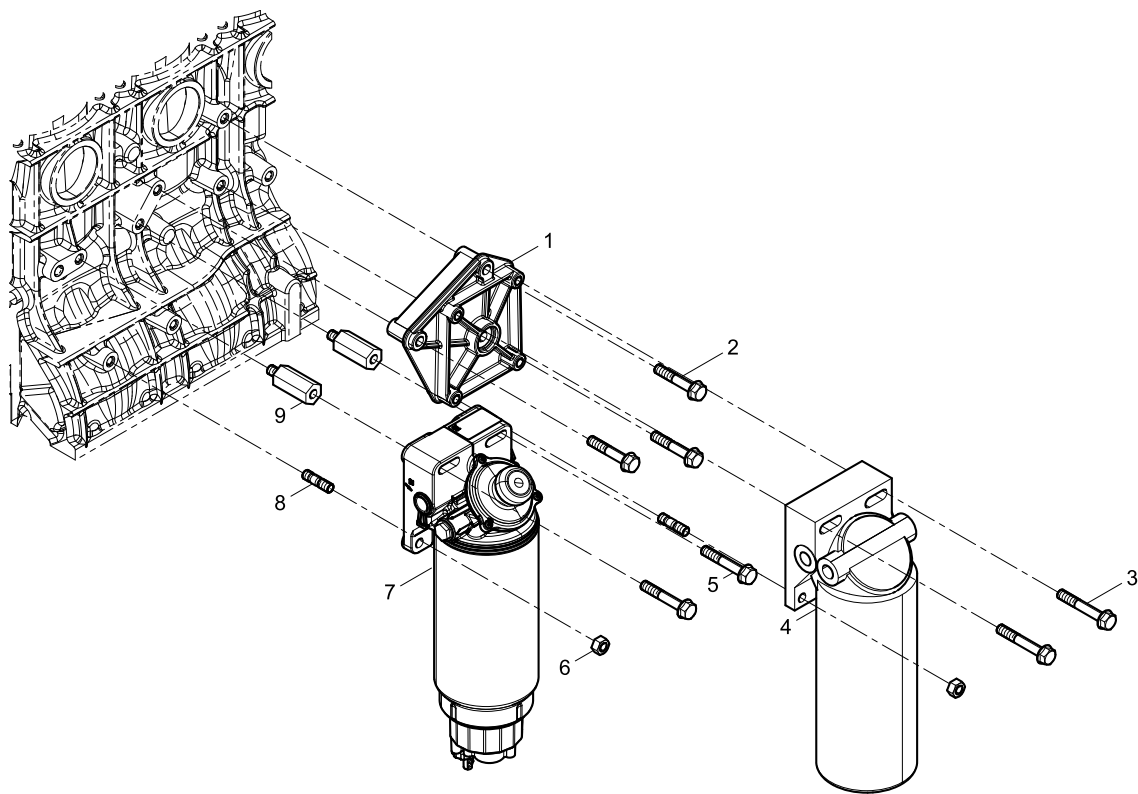
### Low Pressure Fuel Pipe Group



**Low Pressure Fuel Pipe Group**

Pos.	Part Number	Qty.	Part Name
1	612630080026	1	Fuel Return Pipe Assembly
2	13057039	12	Assembled Sealing Washer
3	612639000047	6	Bolt
4	612630080014	1	Fuel Return Pipe Assembly
5	612630080013	1	Fuel Return Pipe Assembly
6	612600080949	2	Pipe Clamp Assembly
7	612640080070	1	Fuel Return Pipe Assembly
8	13023361	14	Assembled Sealing Washer
9	1004389796	1	Pipe Joint
10	612639000049	7	Bolt
11	90003962621	1	Gemel Bolt
12	612600080200	2	Washer

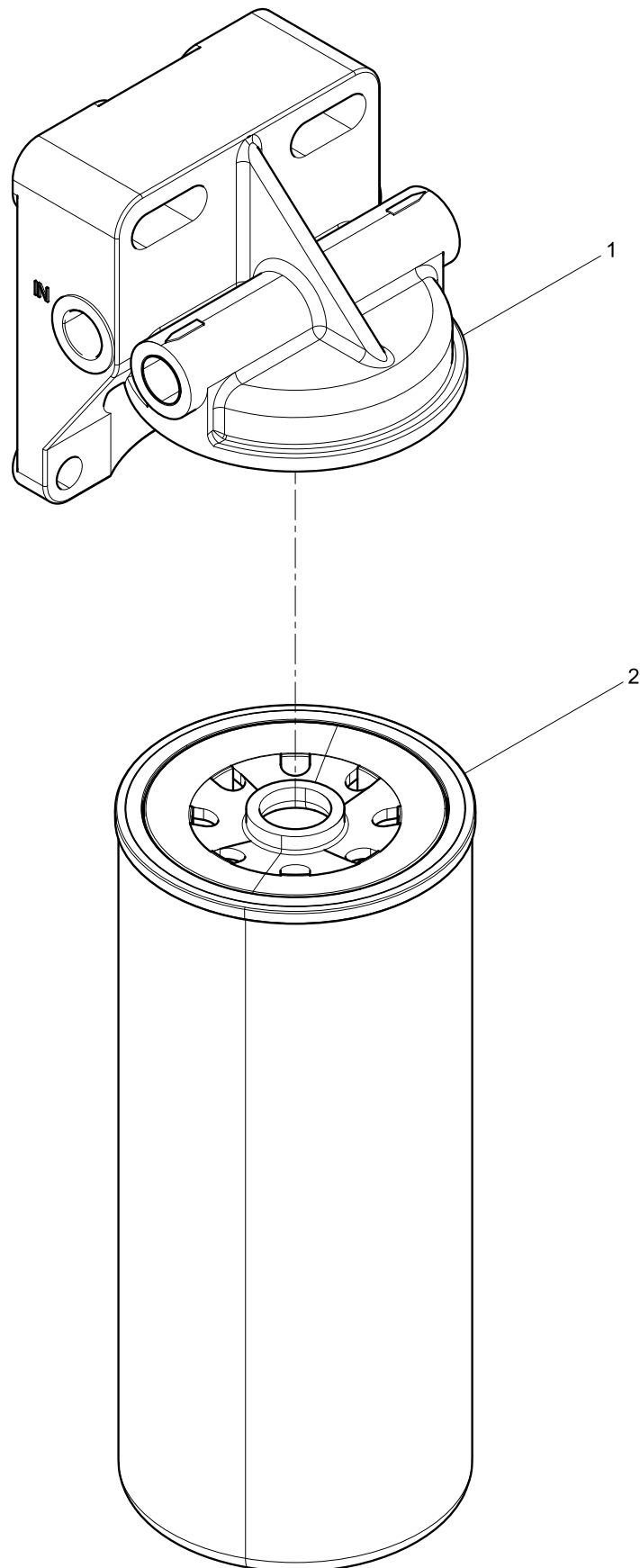
## Fuel Filter Group



**Fuel Filter Group**

Pos.	Part Number	Qty.	Part Name
1	612630080010	1	Fuel Filter Bracket
2	612639000052	3	Hexagon Head Bolt
3	612639000053	2	Hexagon Head Bolt
4	1001242122	1	Fuel Fine Filter
5	612639000090	2	Hexagon Head Bolt
6	90003871308	2	Hexagon Nut
7	1001242120	1	Fuel Coarse Filter
8	90003813523	2	Double End Stud
9	612630080021	2	Screw

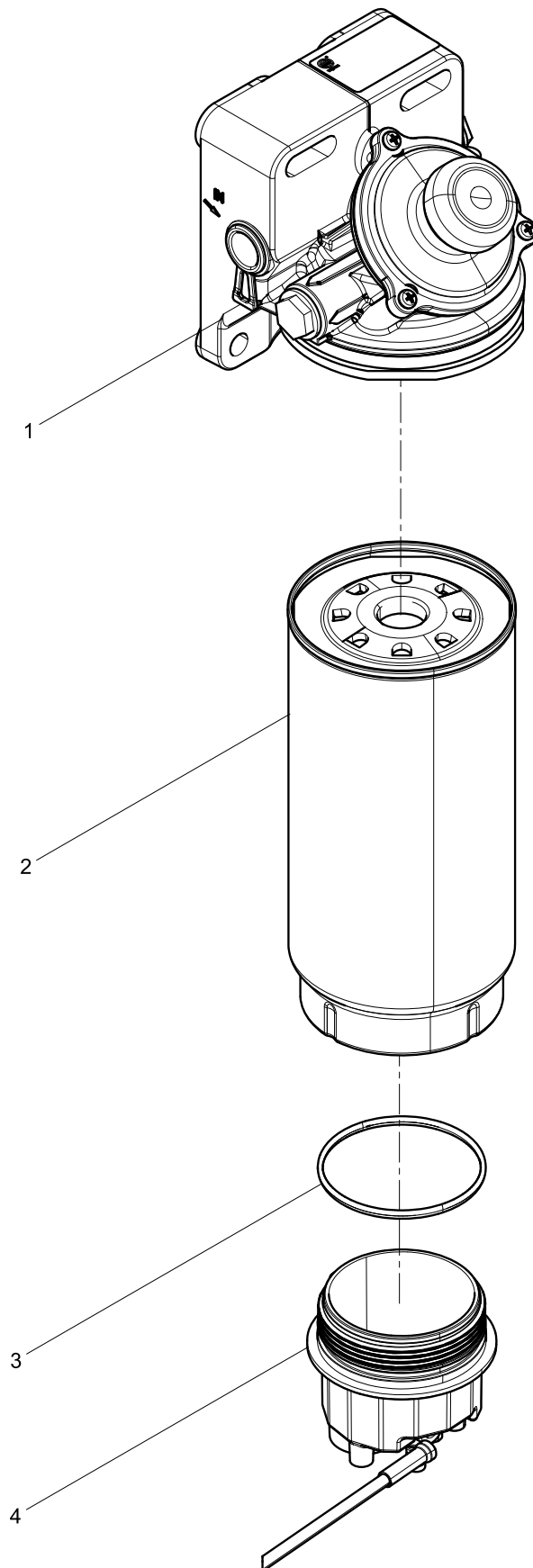
### Fuel Fine Filter



Fuel Fine Filter

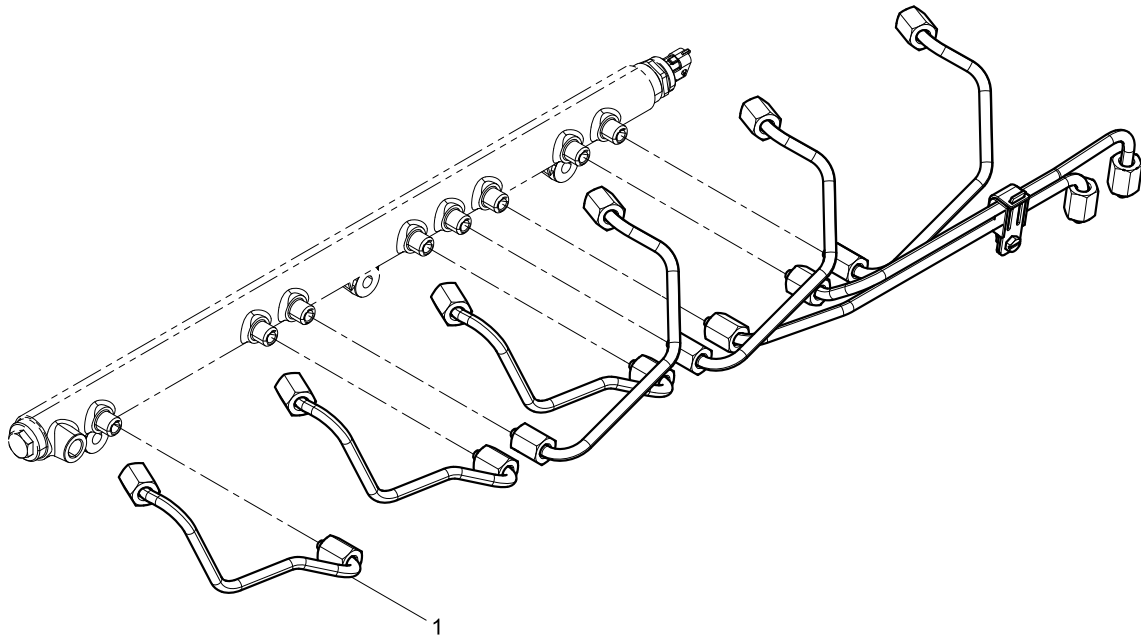
Pos.	Part Number	Qty.	Part Name
1	612630080554	1	Fuel Filter Seat
2	1001242123	1	Fuel Fine Filter Element

### Fuel Coarse Filter





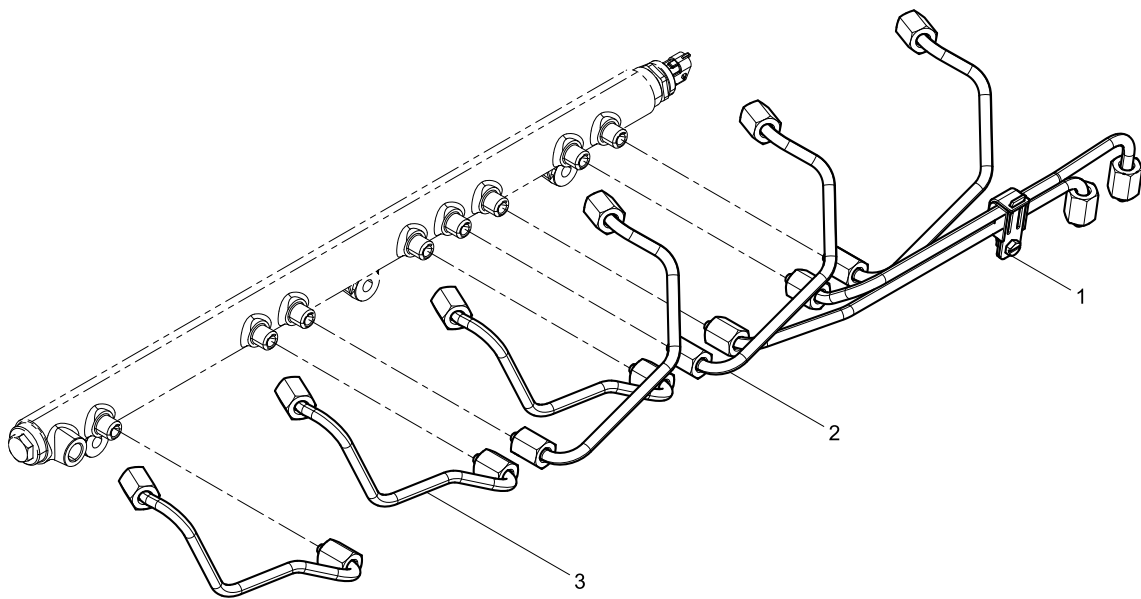
### High Pressure Fuel Pipe Group



**High Pressure Fuel Pipe Group**

Pos.	Part Number	Qty.	Part Name
1	1000264696	1	High-pressure Fuel Pipe Assembly

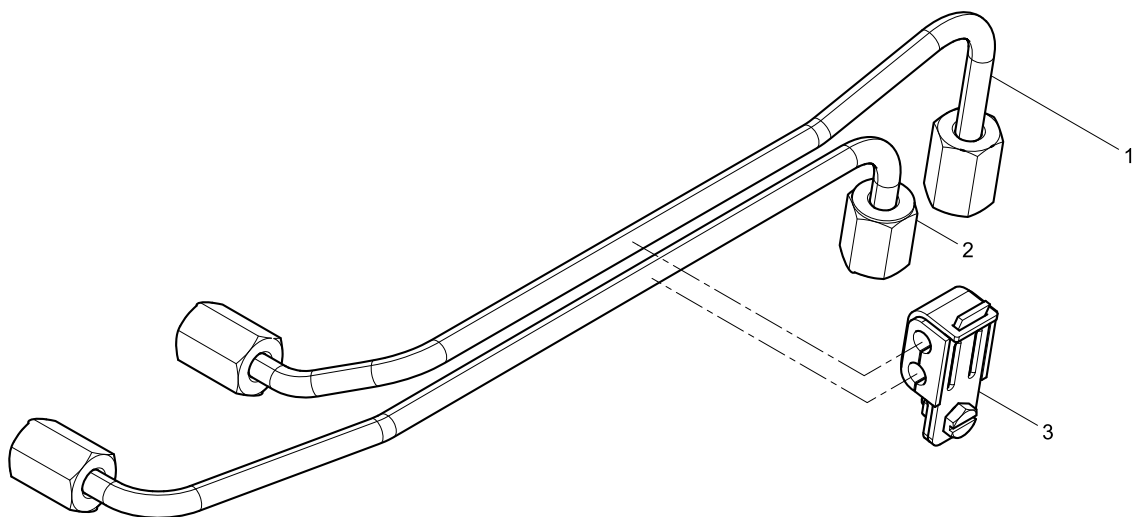
## High-pressure Fuel Pipe Assembly



**High-pressure Fuel Pipe Assembly**

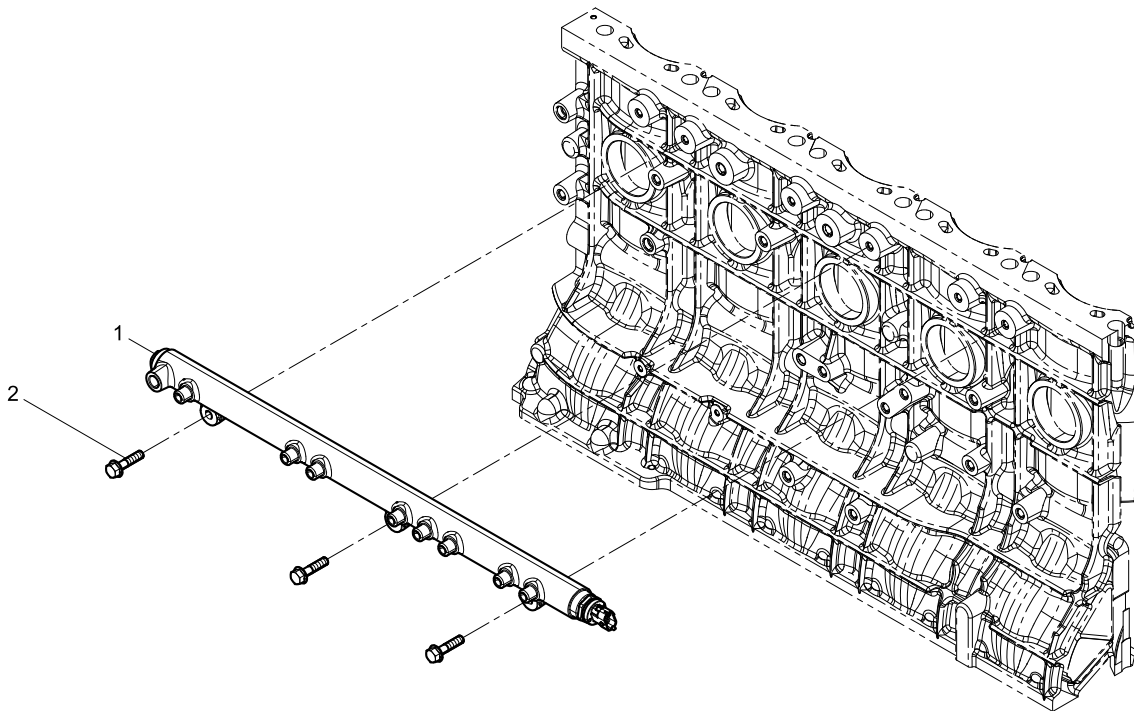
<b>Pos.</b>	<b>Part Number</b>	<b>Qty.</b>	<b>Part Name</b>
1	1000101611	3	High-pressure Fuel Pipe Assembly
2	1000101614	3	High-pressure Fuel Pipe Assembly
3	1000264695	1	High-pressure Fuel Pipe Assembly

### High-pressure Fuel Pipe Assembly



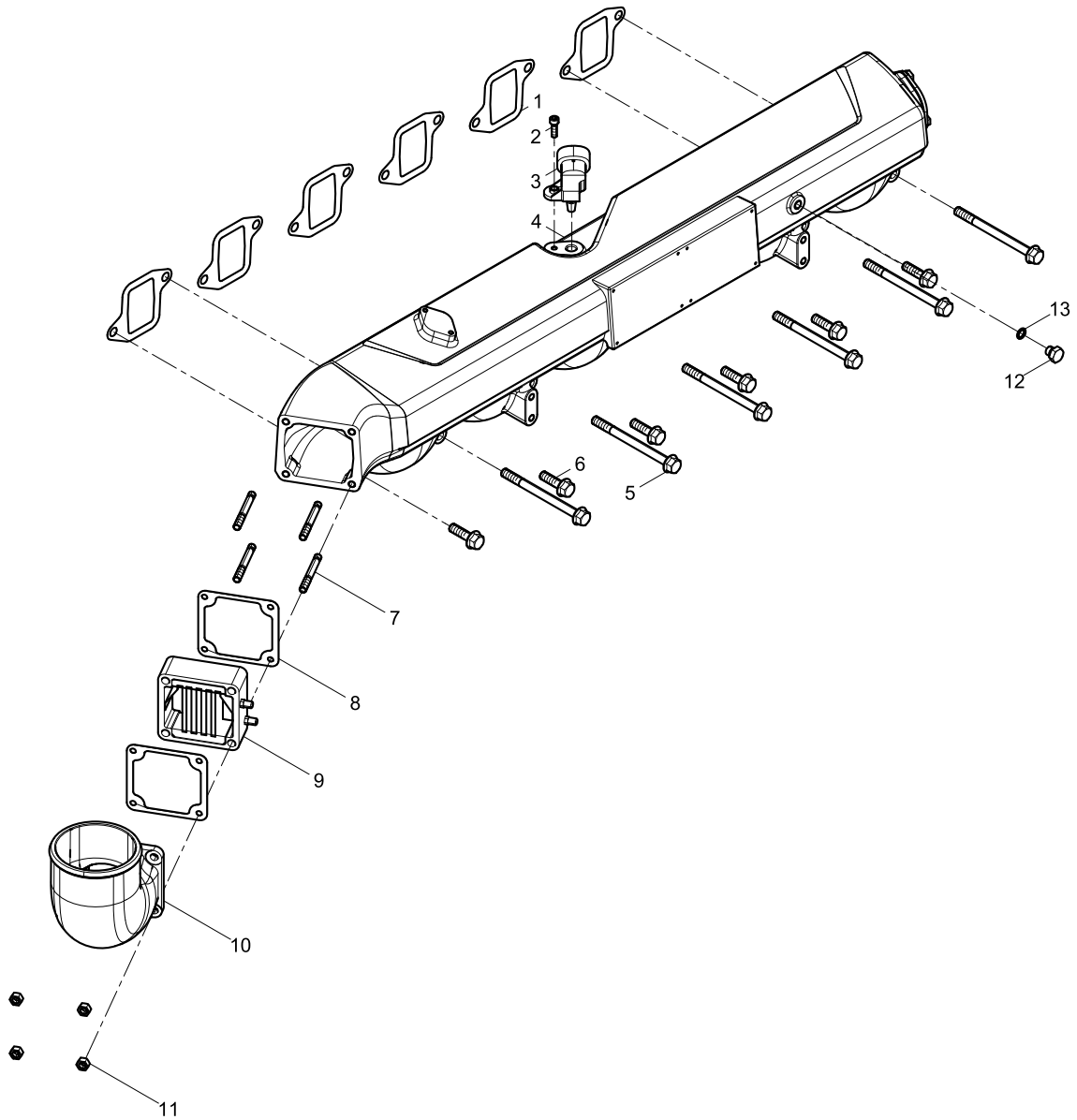


## Common Rail Group





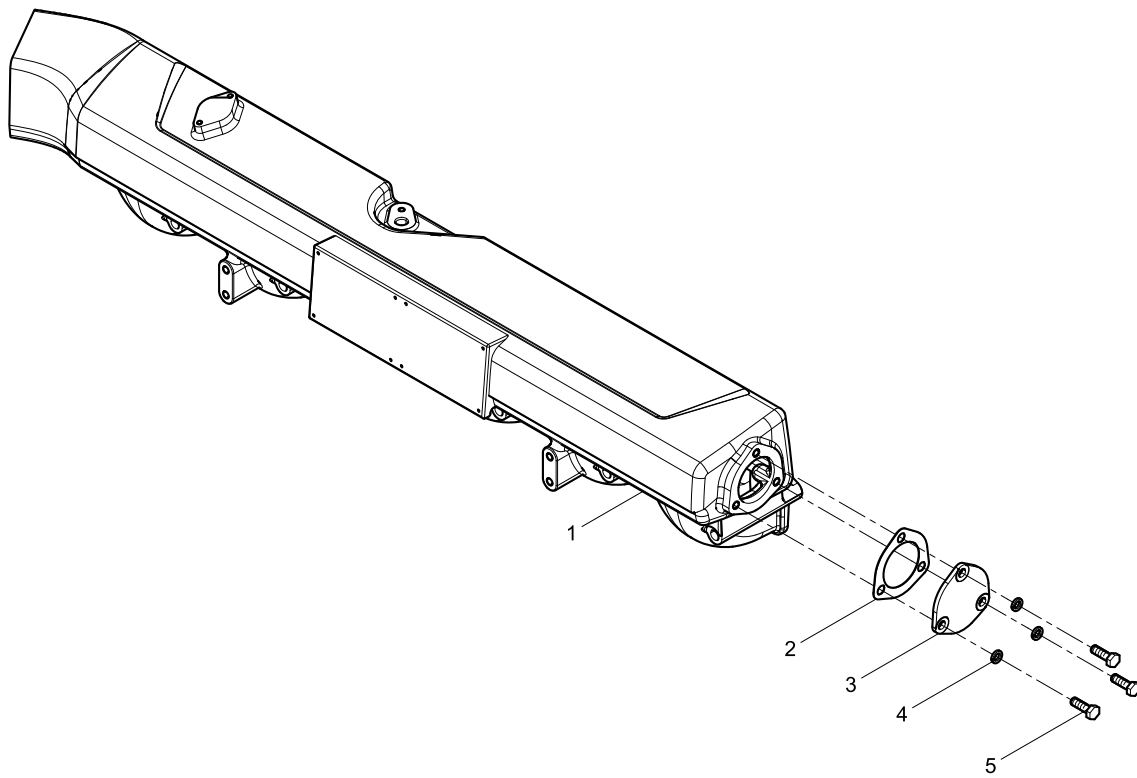
### Intake Manifold Group



**Intake Manifold Group**

<b>Pos.</b>	<b>Part Number</b>	<b>Qty.</b>	<b>Part Name</b>
1	612630120005	6	Gasket
2	612639000004	1	Hexagon Head Bolt
3	612630120004	1	Boost Pressure and Temperature Sensor
4	1001314103	1	Intake Manifold Assembly
5	9000000672	6	Hexagon Flange Bolt
6	90011420020	6	Hexagon Flange Bolt
7	90003813470	4	Double End Stud
8	612630120002	2	Gasket
9	612630120003	1	Heater
10	612630120045	1	Intake Connecting Pipe
11	90012290001	4	Hexagon Flange Nut
12	90003962019	1	Hexagon Screw Plug
13	13023359	1	Assembled Sealing Washer

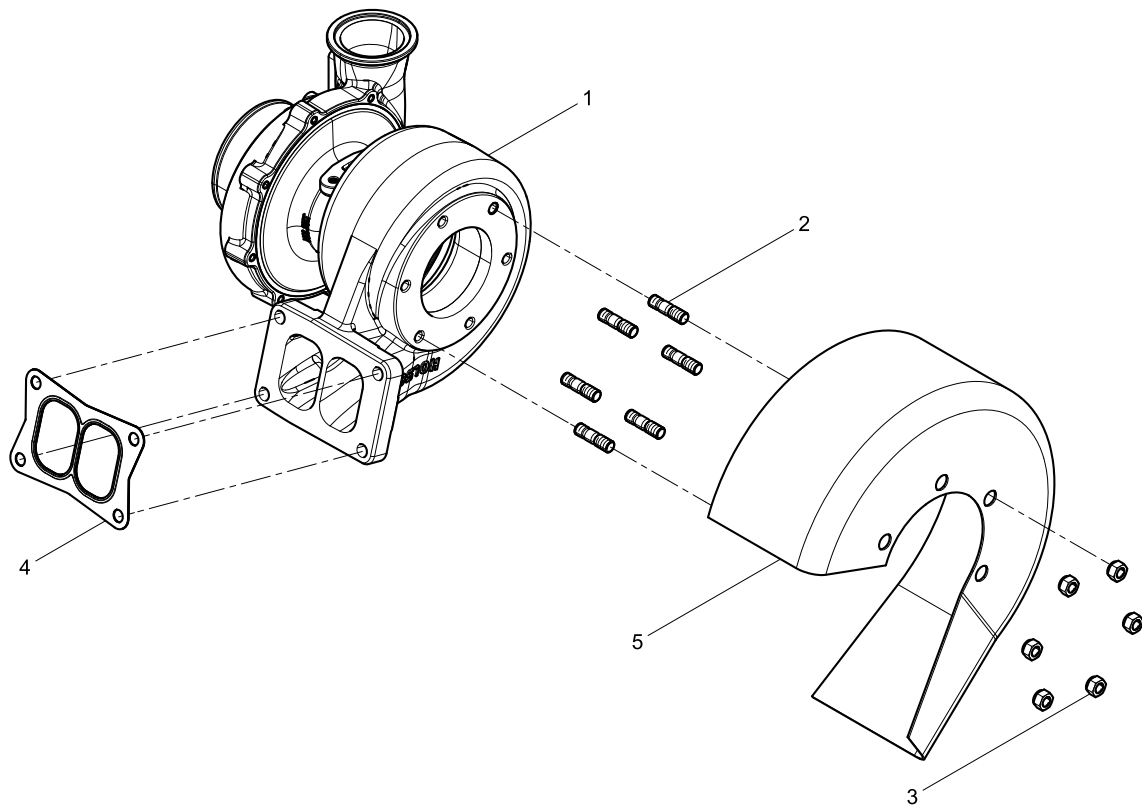
### Intake Manifold Assembly



**Intake Manifold Assembly**

<b>Pos.</b>	<b>Part Number</b>	<b>Qty.</b>	<b>Part Name</b>
1	1001242124	1	Intake Manifold
2	612600114285	1	Gasket
3	612600110712	1	Intake Cover
4	90003931102	3	Spring Washer
5	90003802424	3	Hexagon Head Bolt

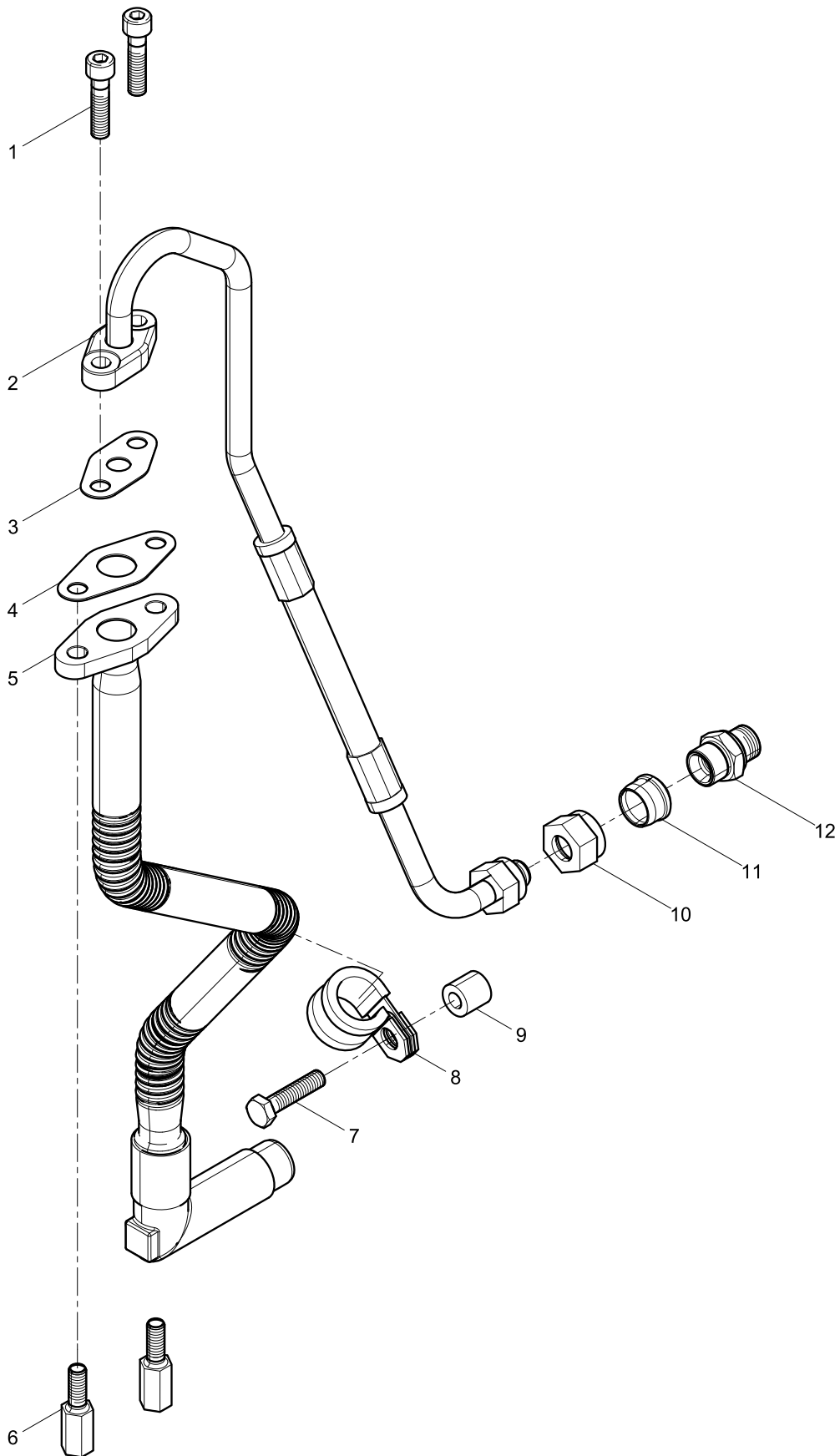
## Turbocharger Group



**Turbocharger Group**

<b>Pos.</b>	<b>Part Number</b>	<b>Qty.</b>	<b>Part Name</b>
1	1000951745	1	Turbocharger
2	81560110187	6	Double End Stud
3	617022180001	6	Nut
4	61560110210	1	Turbocharger washer
5	1004432837	1	Turbocharger Shield

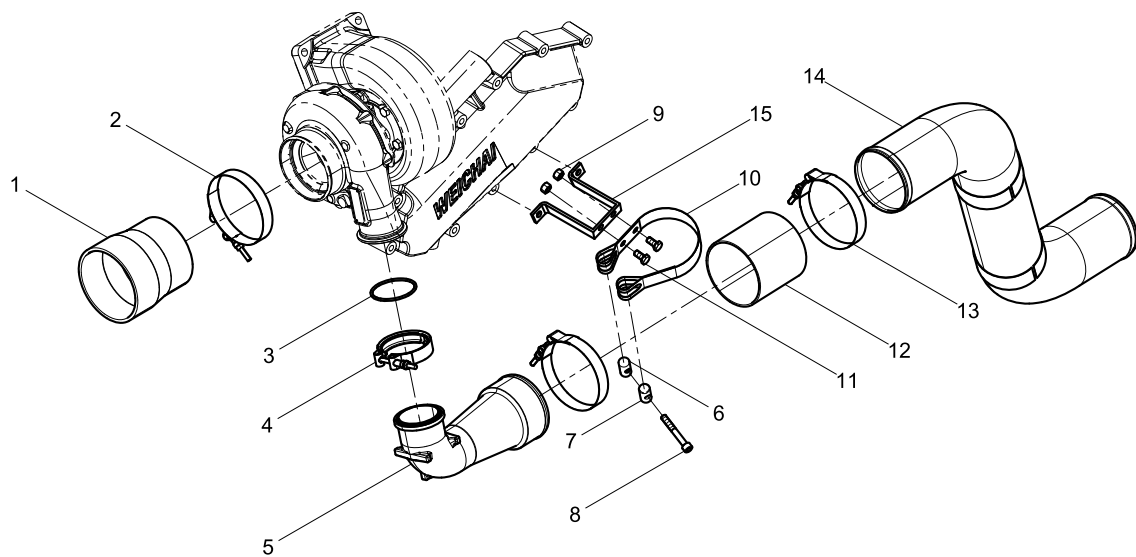
### Turbocharger Oil Pipe Group



**Turbocharger Oil Pipe Group**

<b>Pos.</b>	<b>Part Number</b>	<b>Qty.</b>	<b>Part Name</b>
1	90003862428	2	Inner Hexagon Socket Head Cap Screw
2	1001041958	1	Turbocharger Oil Pipe Assembly
3	612600115573	1	Turbocharger Oil Pipe Gasket
4	612600115514	1	Gasket
5	612700110060	1	Turbocharger Oil Pipe Assembly
6	61460070014	2	Bolt
7	90003800431	1	Hexagon Head Bolt
8	612600111639	1	Pipe Clamp Assembly
9	612630110019	1	Sleeve
10	612639000022	1	Nut
11	1000886100	1	Ferrule
12	1000879941S	1	Ferrule Straight Thread Elbow-body

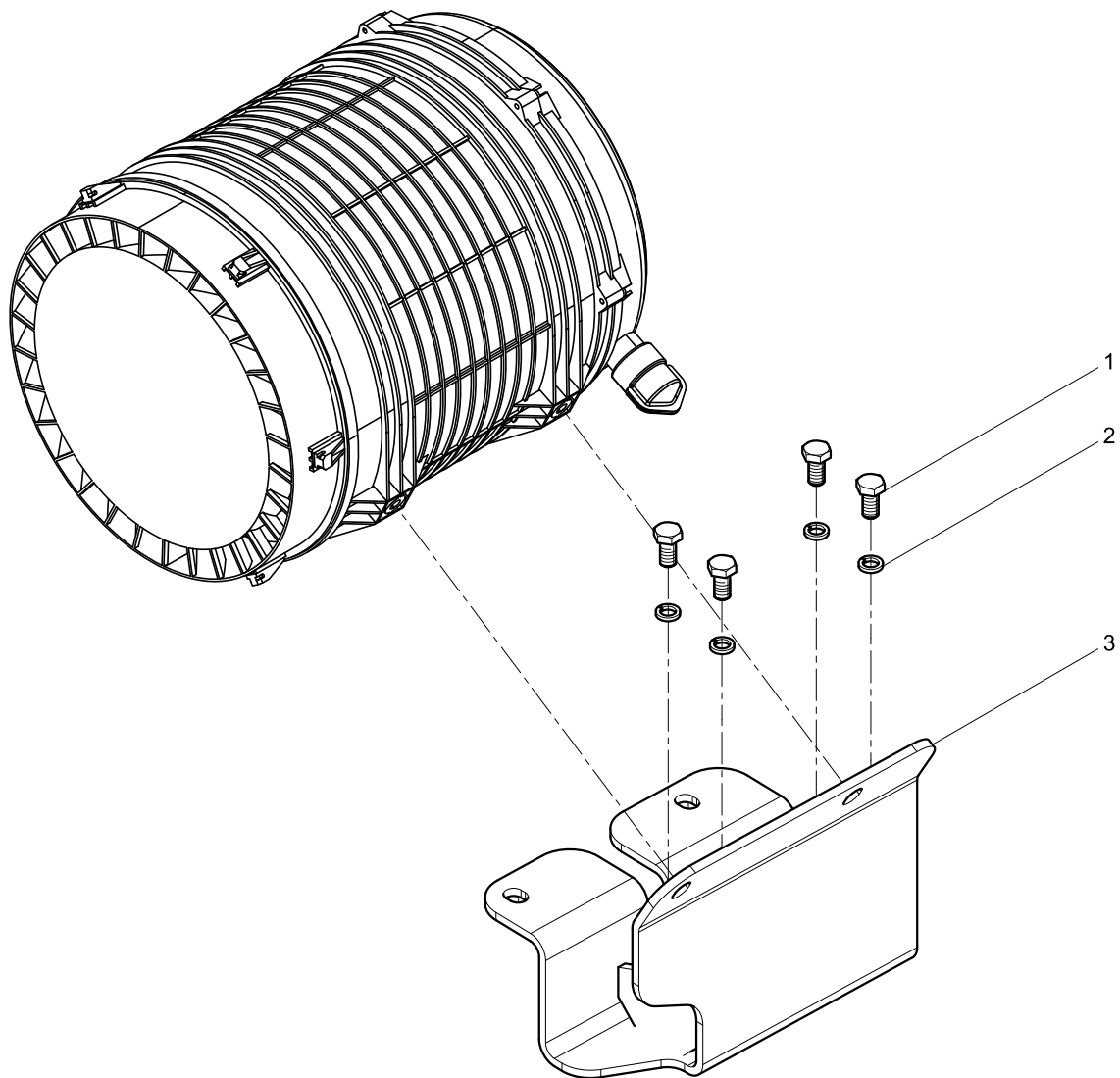
### Compressor Pipe Group



**Compressor Pipe Group**

<b>Pos.</b>	<b>Part Number</b>	<b>Qty.</b>	<b>Part Name</b>
1	612700120029	1	Air Connecting Rubber Pipe
2	612600114944	1	Clamp
3	190320035	1	Seal Ring
4	61560110226	1	Clamp
5	612700120001	1	Intake Connecting Pipe
6	1700550013	1	Parallel Pin
7	209190017	1	Locking Pin
8	90003862462	1	Inner Hexagon Socket Head Cap Screw
9	90003888451	2	Hexagon Nut
10	61560110021	1	Clamp Strip
11	90003802415	2	Hexagon Head Bolt
12	612600114928	1	Air Connecting Rubber Pipe
13	612600114701	2	Clamp
14	612700120004	1	Inter-cooler Air Pipe Assembly
15	612700120009	1	Inter-cool Pipe Bracket

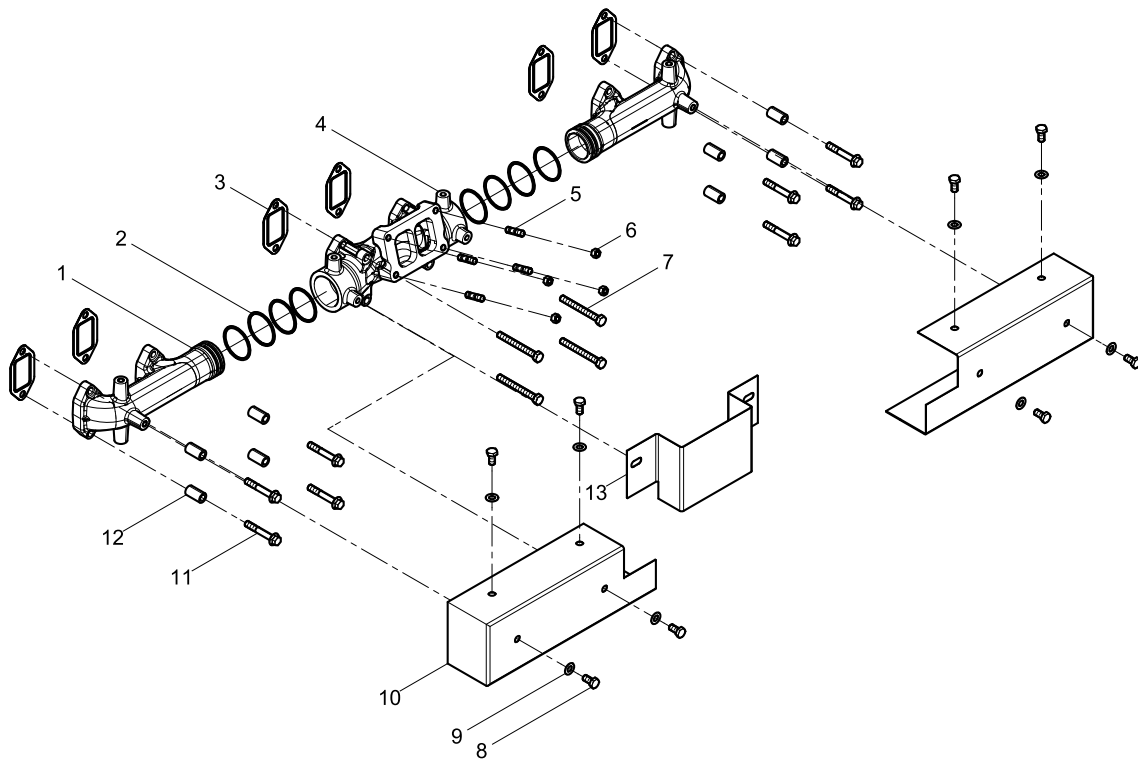
### Air Filter Group



**Air Filter Group**

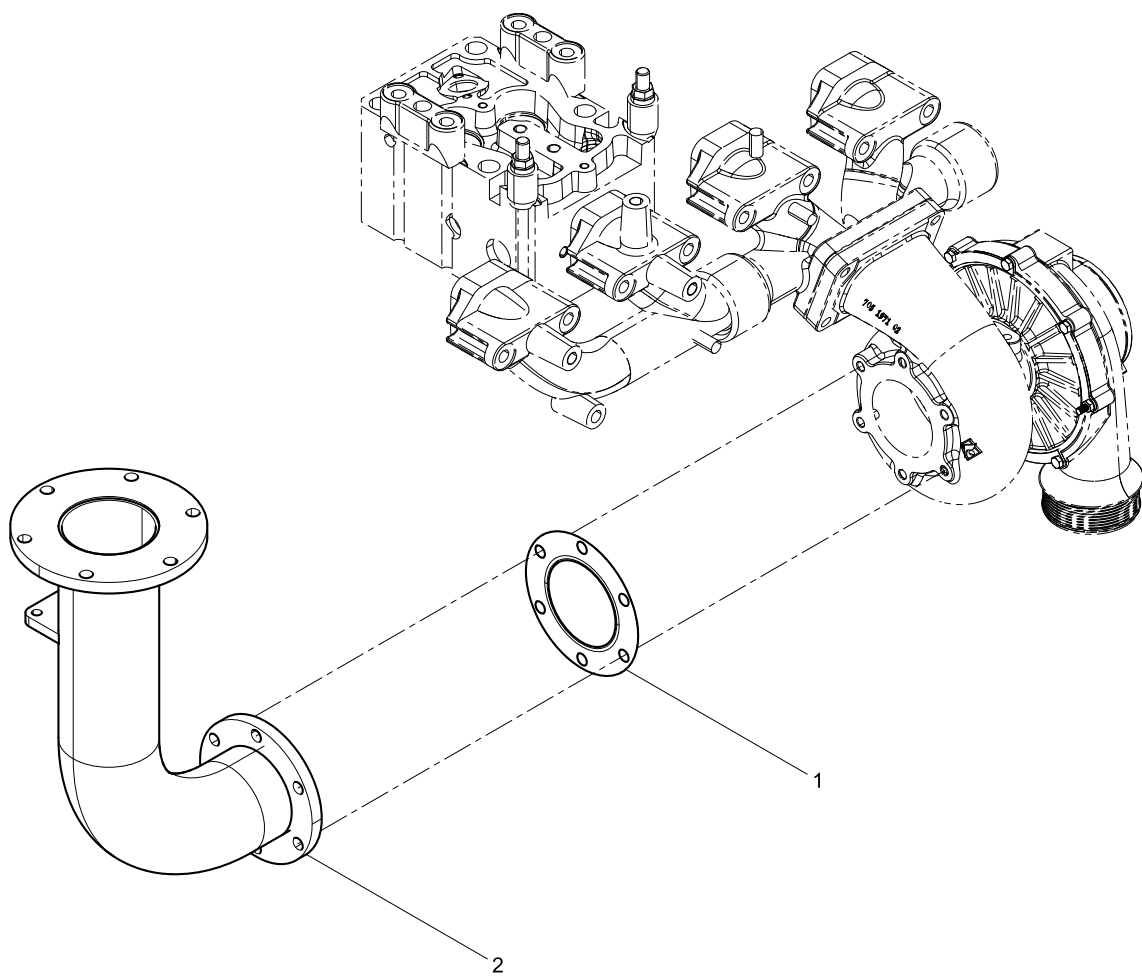
<b>Pos.</b>	<b>Part Number</b>	<b>Qty.</b>	<b>Part Name</b>
1	90011350026	4	Hexagon Head Bolt
2	90003931122	4	Spring Washer
3	612700120019	1	Air Filter Bracket

### Exhaust Manifold Group



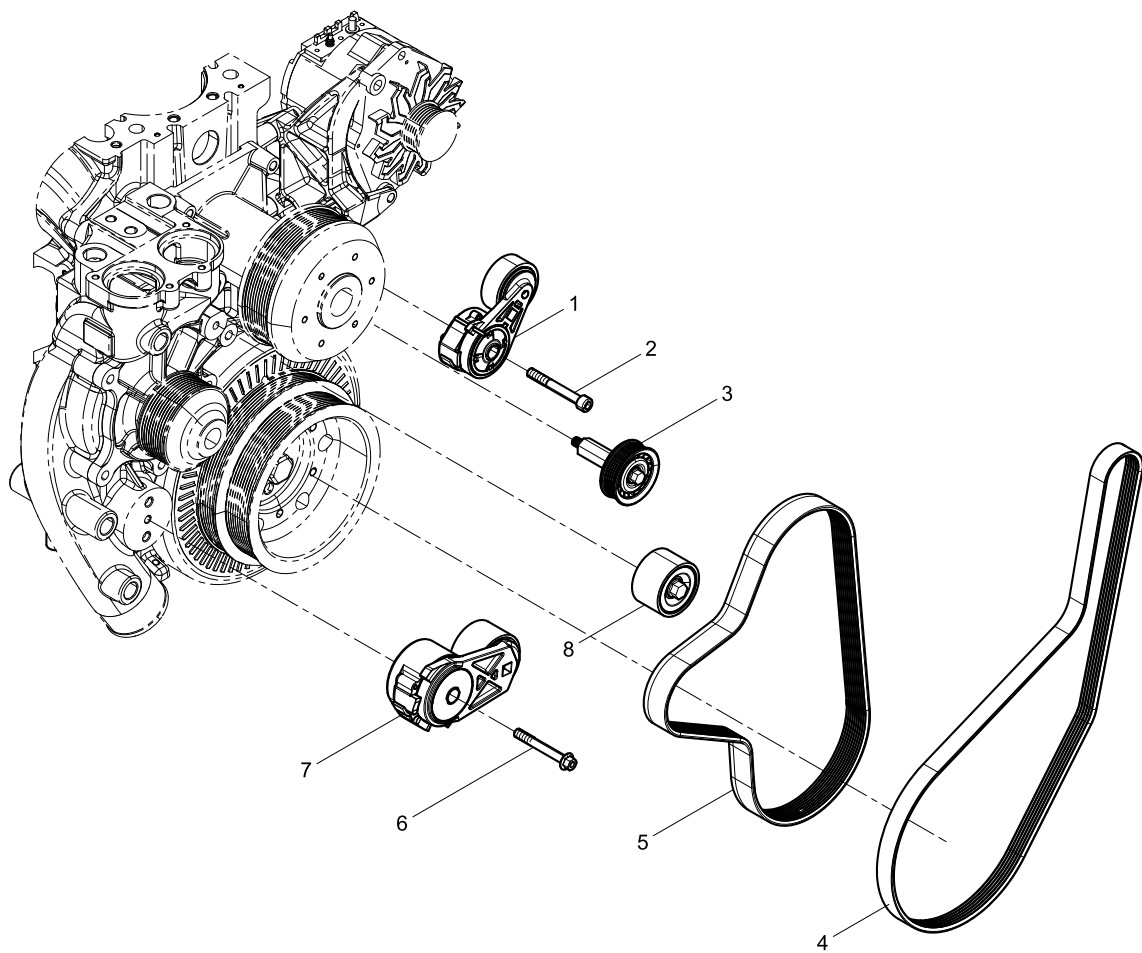


### Rear Exhaust Manifold Group



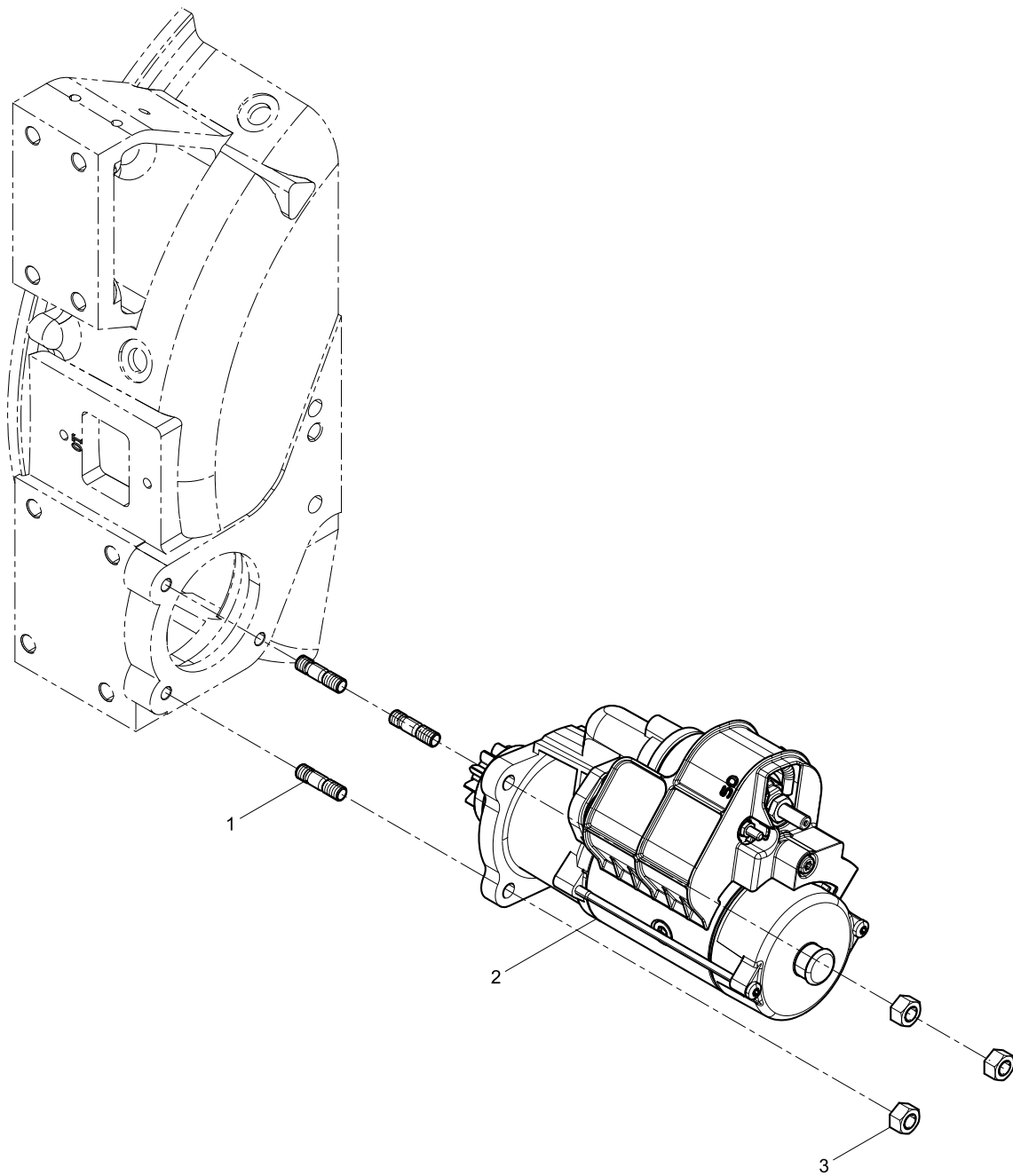


### Tensioner And Belt Group





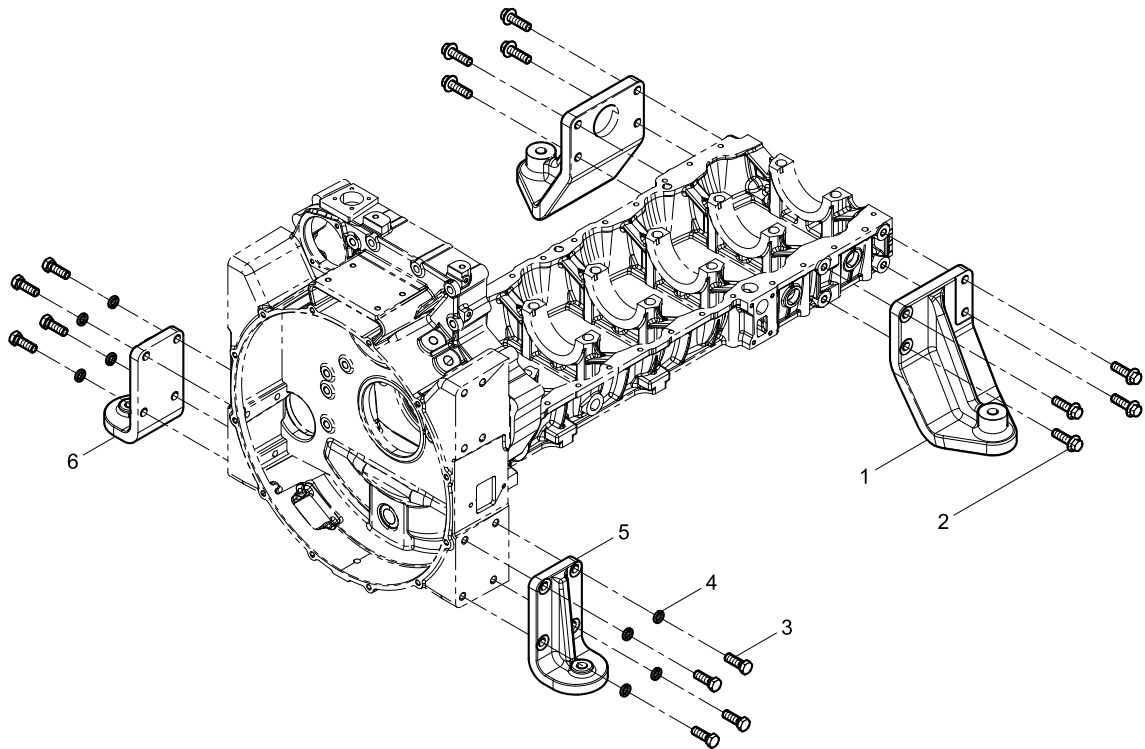
### Starter Motor Group



### Starter Motor Group

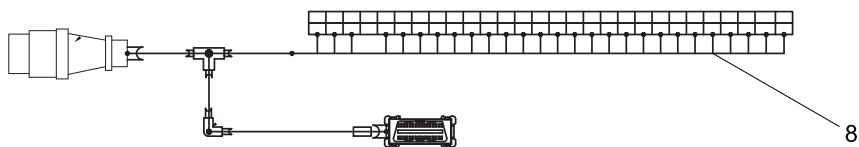
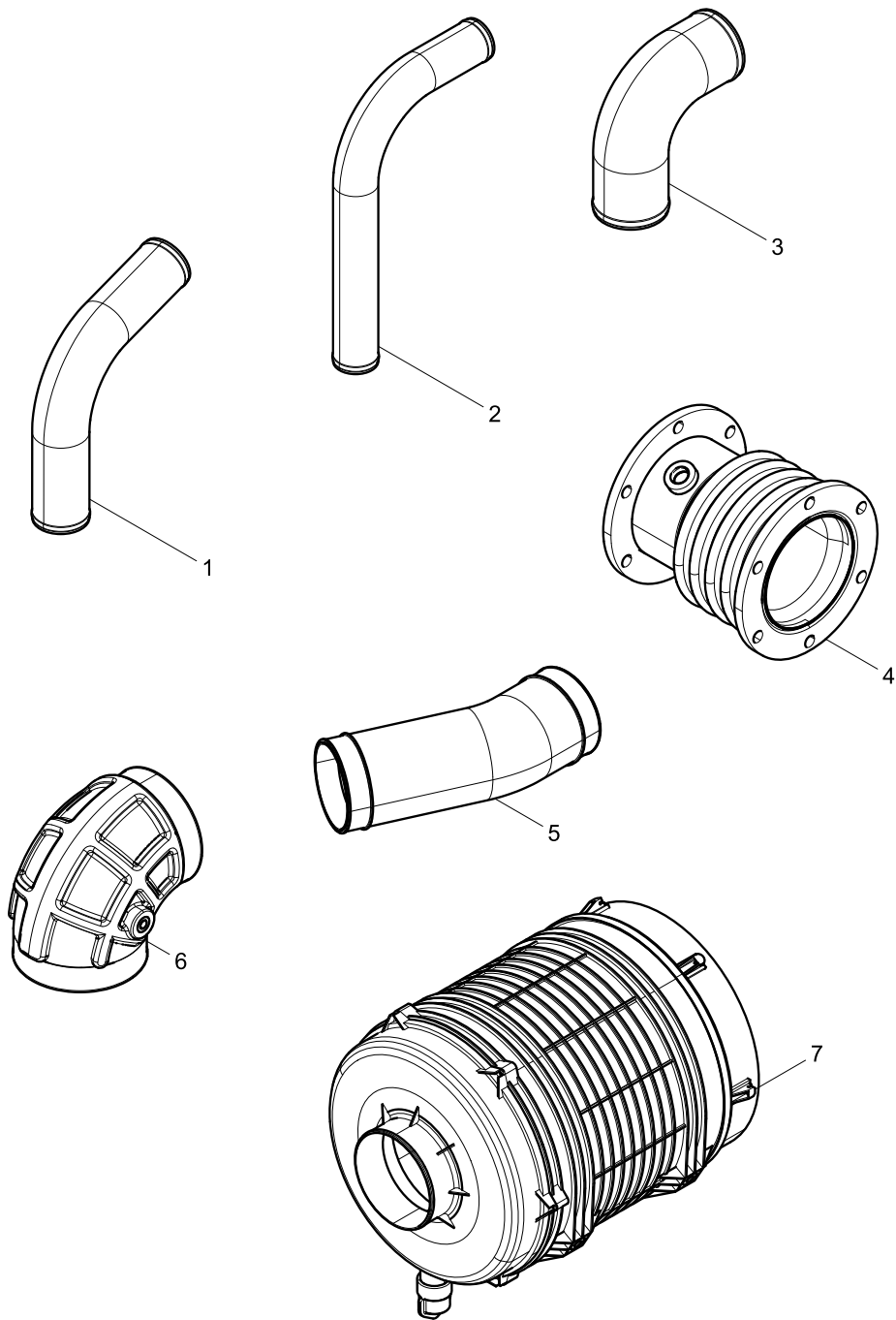
Pos.	Part Number	Qty.	Part Name
1	90003813527	3	Double End Stud
2	612630030277	1	Starter Motor
3	90003888452	3	Hexagon Nut

### Engine Bracket Group



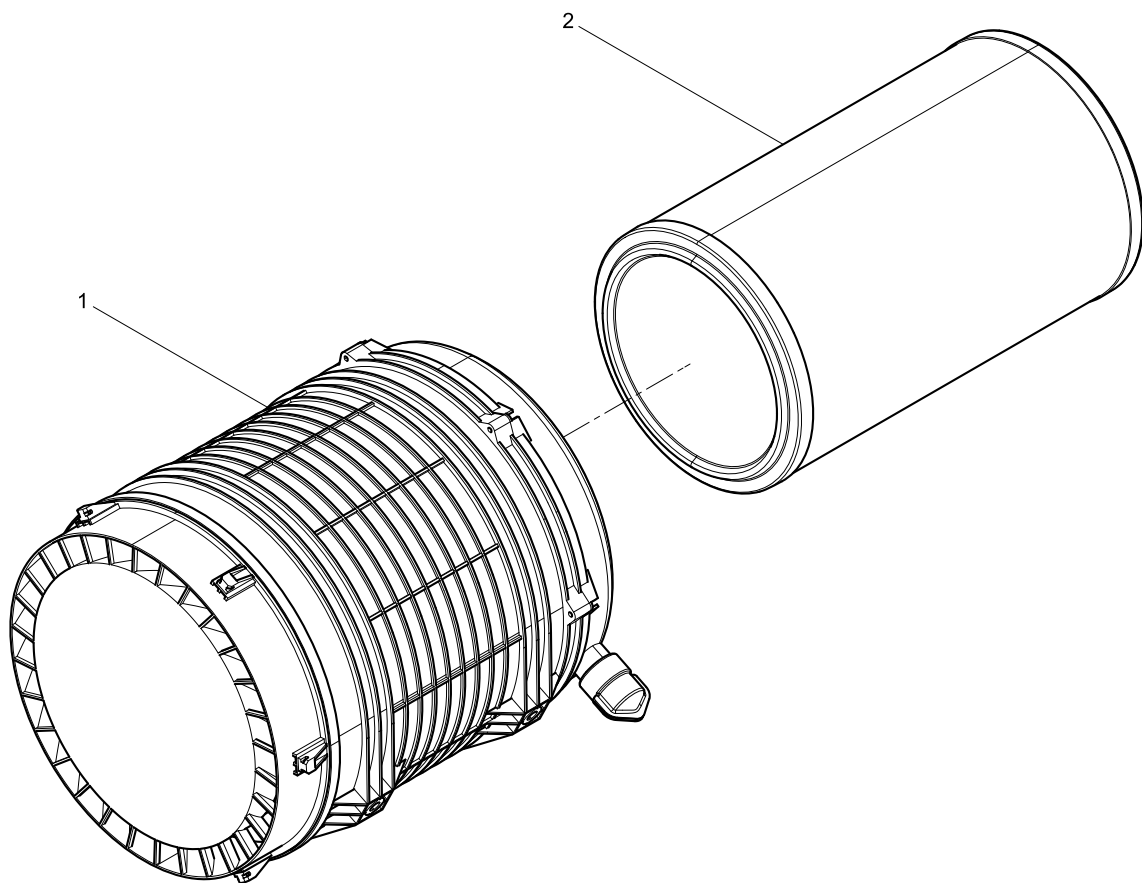


**Packing Box Chassis Parts Group**



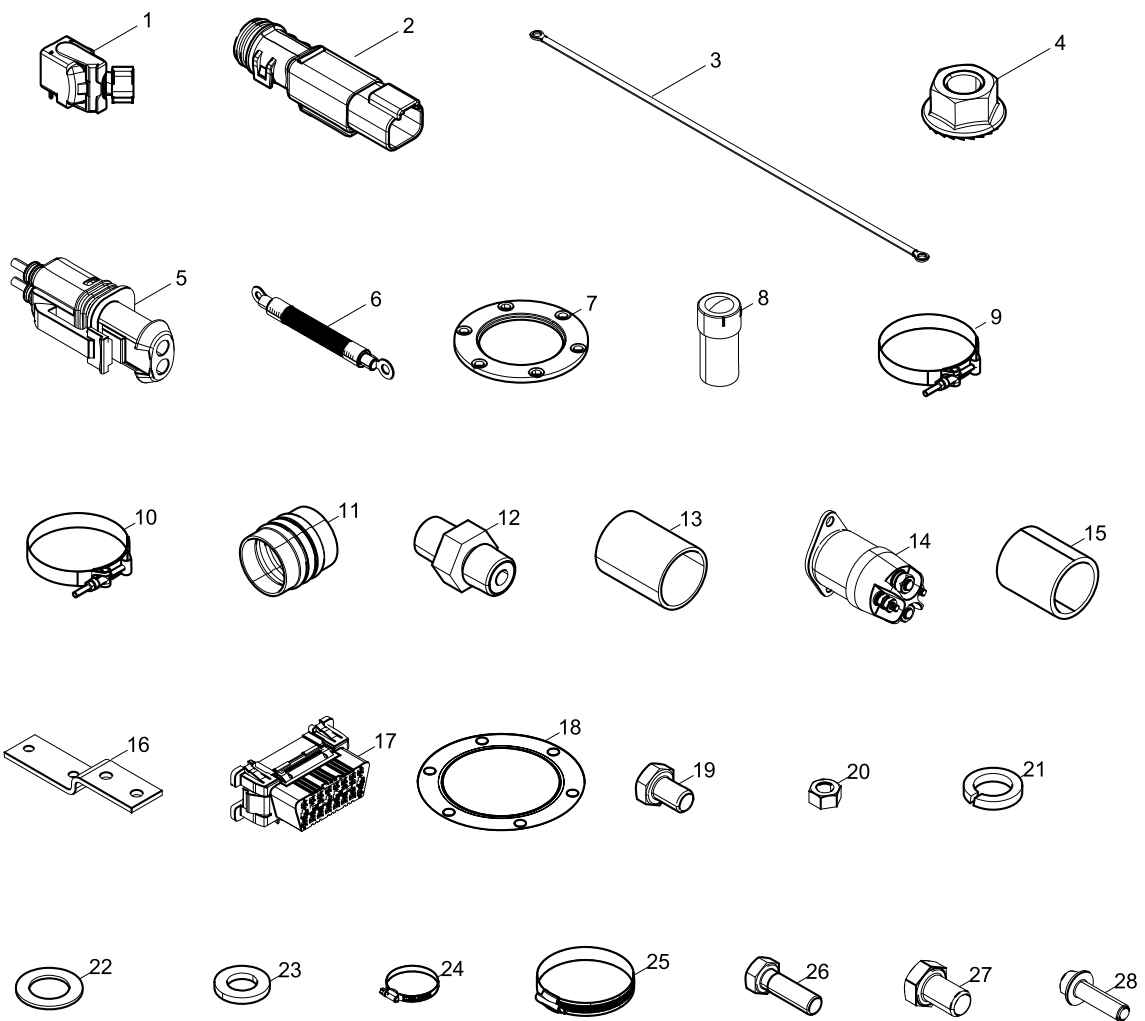


### Air Filter





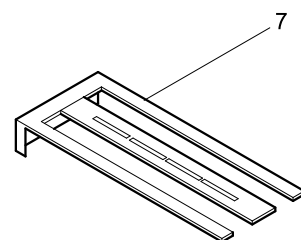
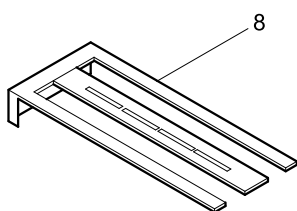
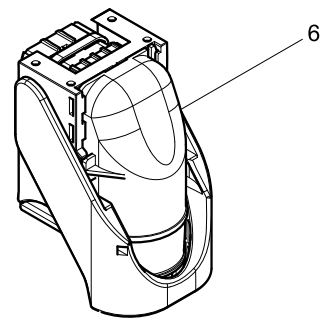
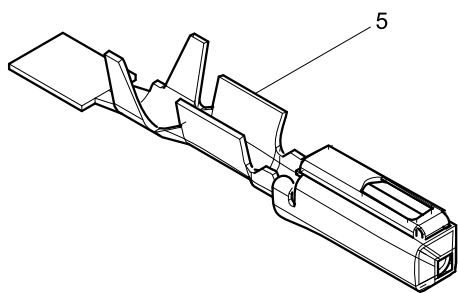
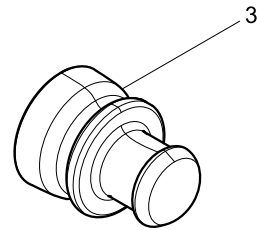
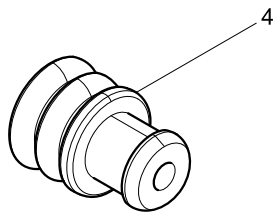
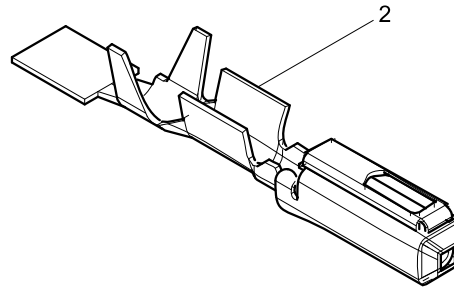
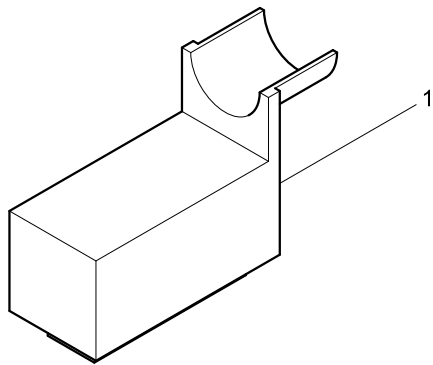
Parts Kit Group



**Parts Kit Group**

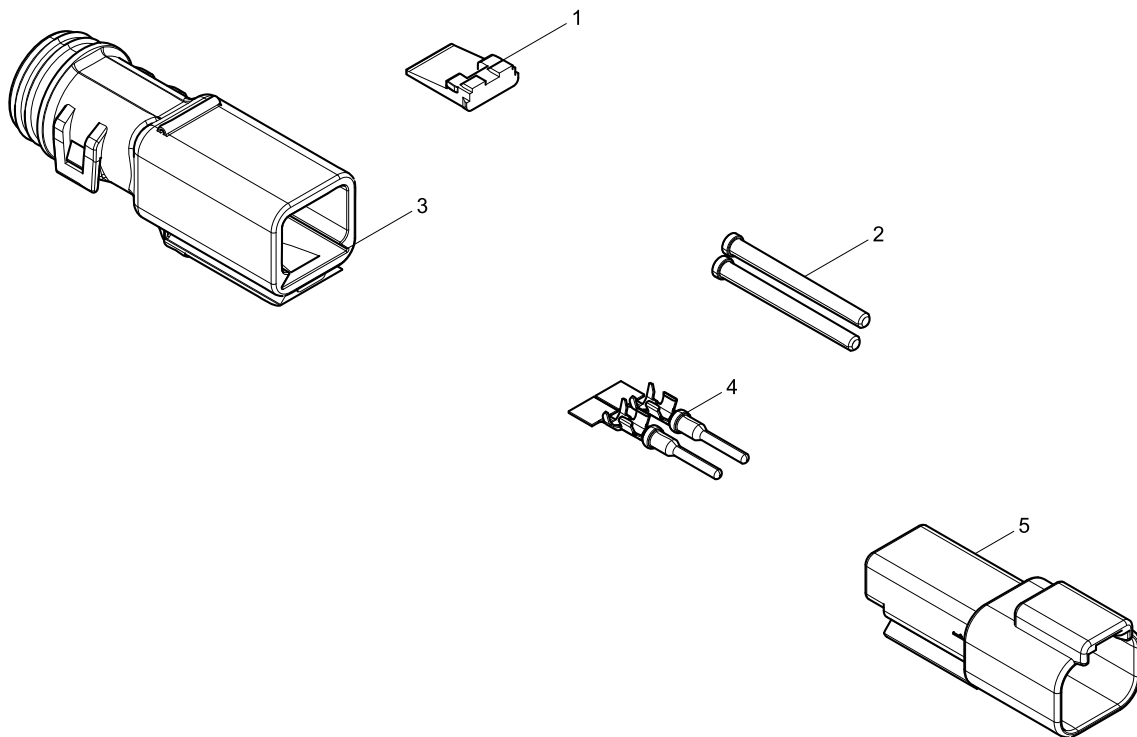
<b>Pos.</b>	<b>Part Number</b>	<b>Qty.</b>	<b>Part Name</b>
1	1000131282	1	Connector Assembly
2	1000132240	1	Connector Assembly
3	610800090042	1	Glow plug harness
4	612600061720	12	Prevailing Torque Type Hexagon Nut with Flange
5	612600080936	1	Matching Connector
6	612600081782	1	Preheating Harness
7	612600110264	1	Flange
8	612600110671	1	Intake Resistance Alarm
9	612600113389	2	Clamp
11	612600114928	3	Air Connecting Rubber Pipe
13	612600530125	2	Coolant Connecting Rubber Pipe
14	612630080076	1	Relay
17	612640080079	1	Diagnosis Plug
18	612700110029	2	Gasket
19	90003802402	2	Hexagon Head Bolt
20	90003871222	2	Hexagon Nuts, Style 1
21	90003931142	4	Spring Washer
22	90003932023	2	Wave Spring Washer
23	90003936101	2	Washer
24	90003989311	4	Clamp
25	90003989312	4	Clamp
26	90011270062	2	Hexagon Head Bolt
27	90011350039	4	Hexagon Head Bolt
28	90011430009	12	Hexagon Flange with Tooth Bolt

### Connector Assembly



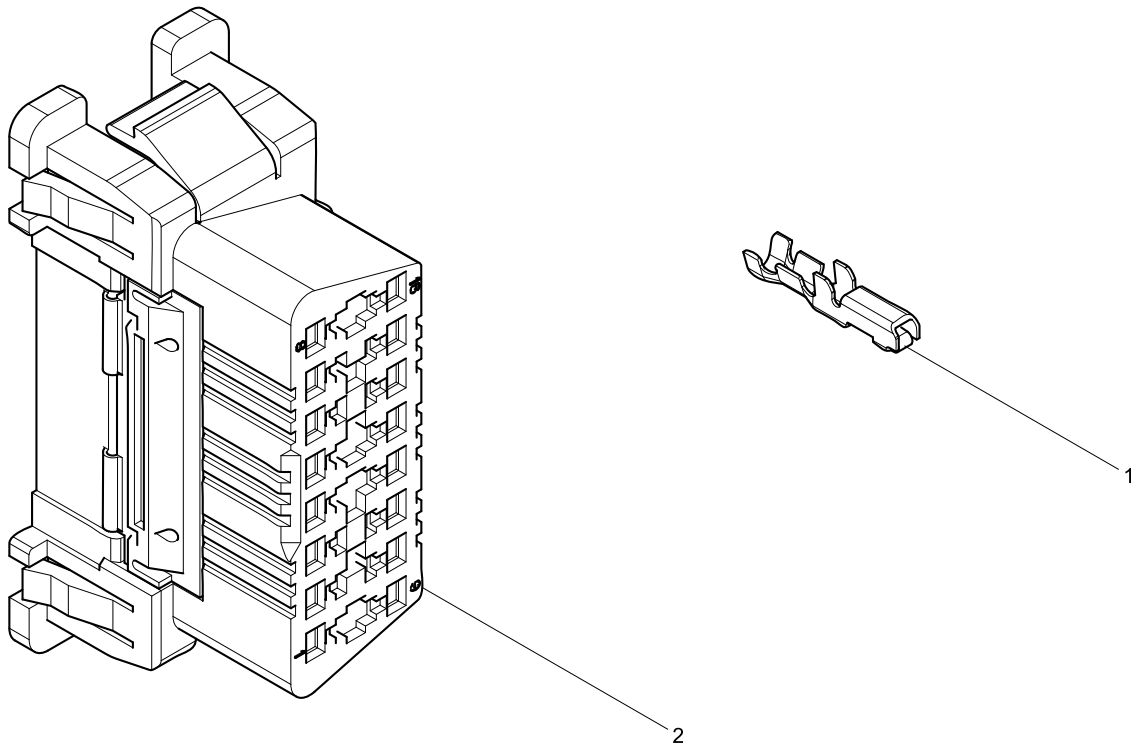


### Connector Assembly



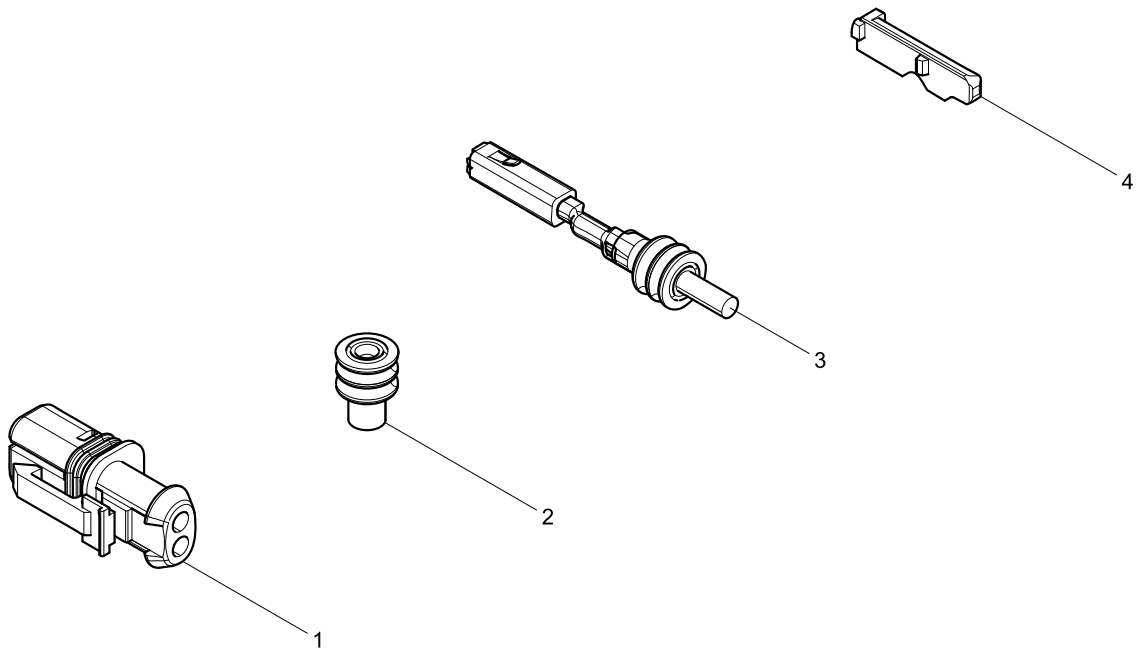


## Diagnosis Plug





### Matching Connector



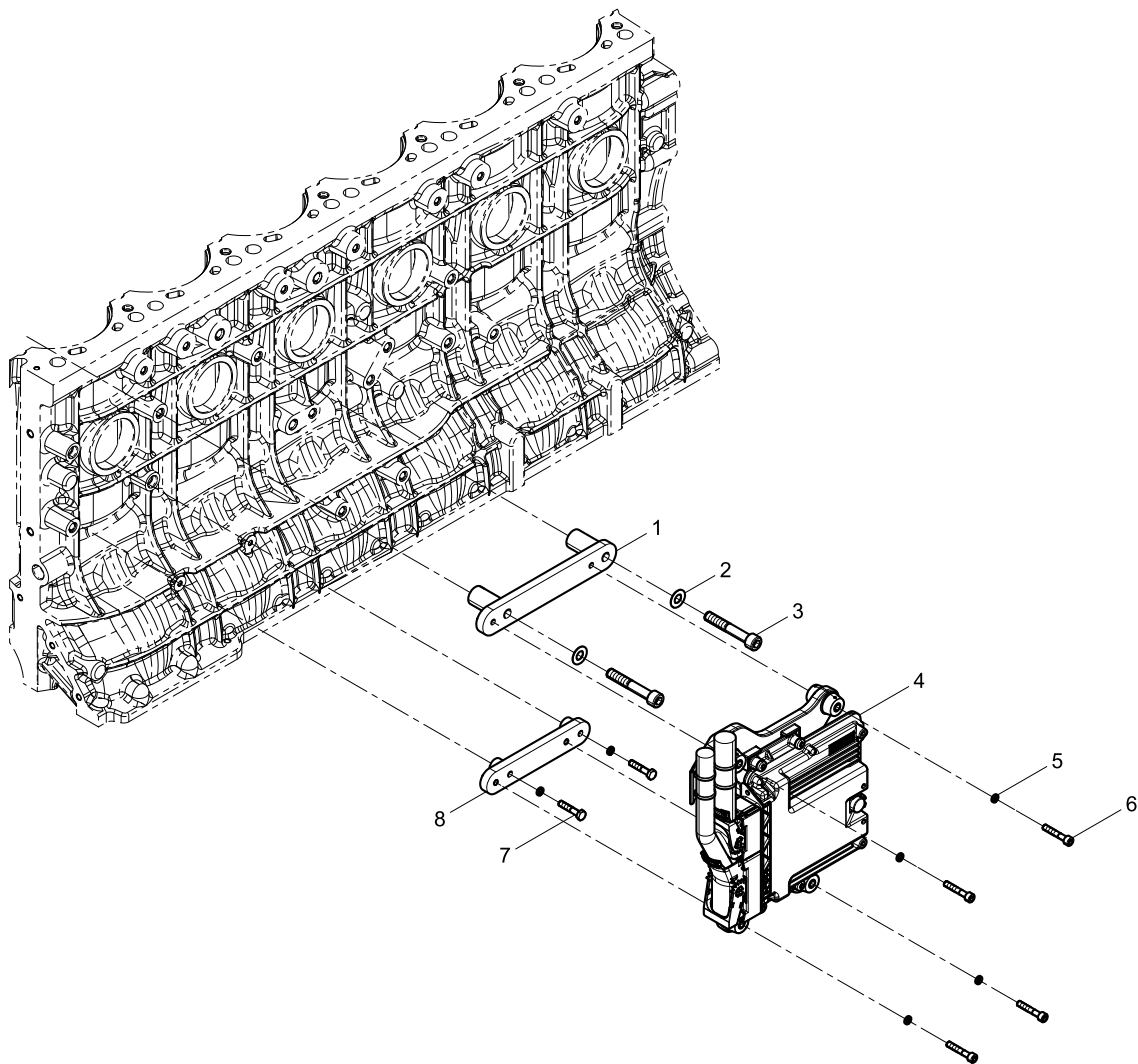


## **Spare Parts Attached to Engine Group**

can't find EPC image!

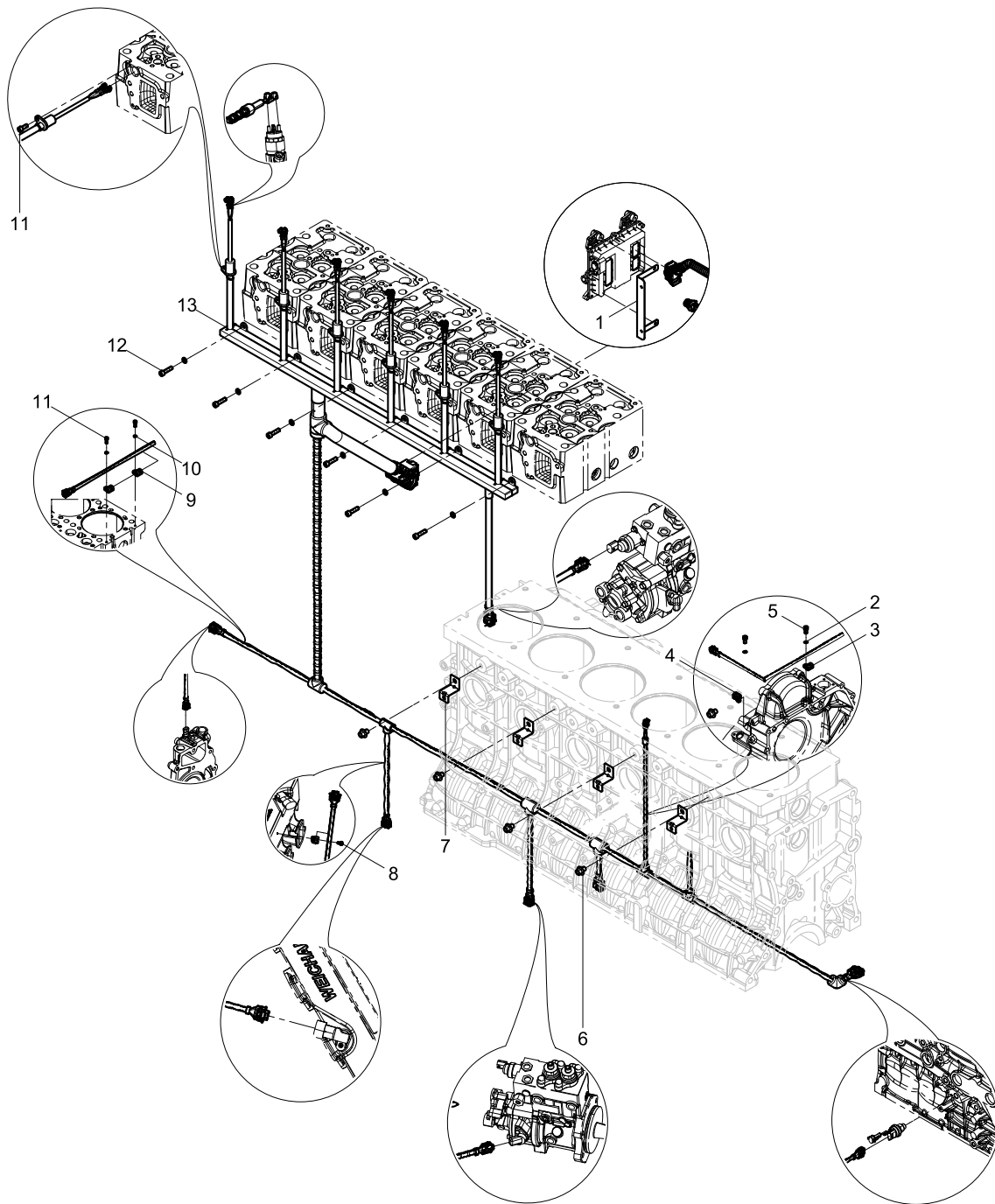


### Electronic Control Unit Group



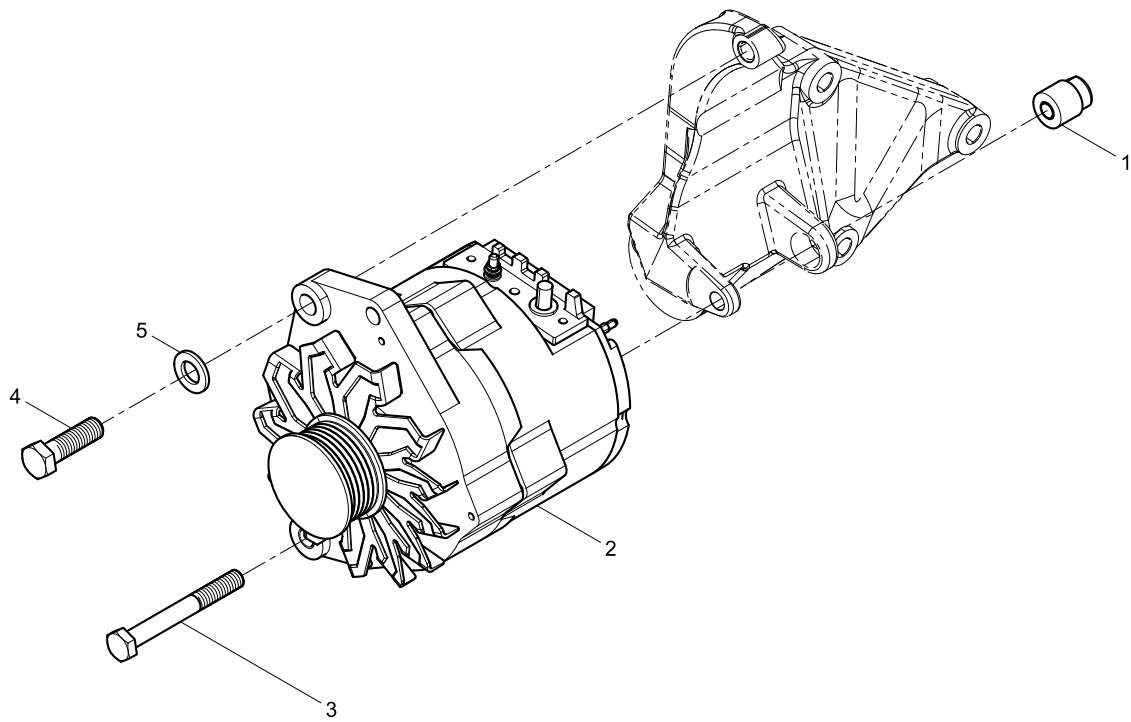


### Electronic Control System Harness Group



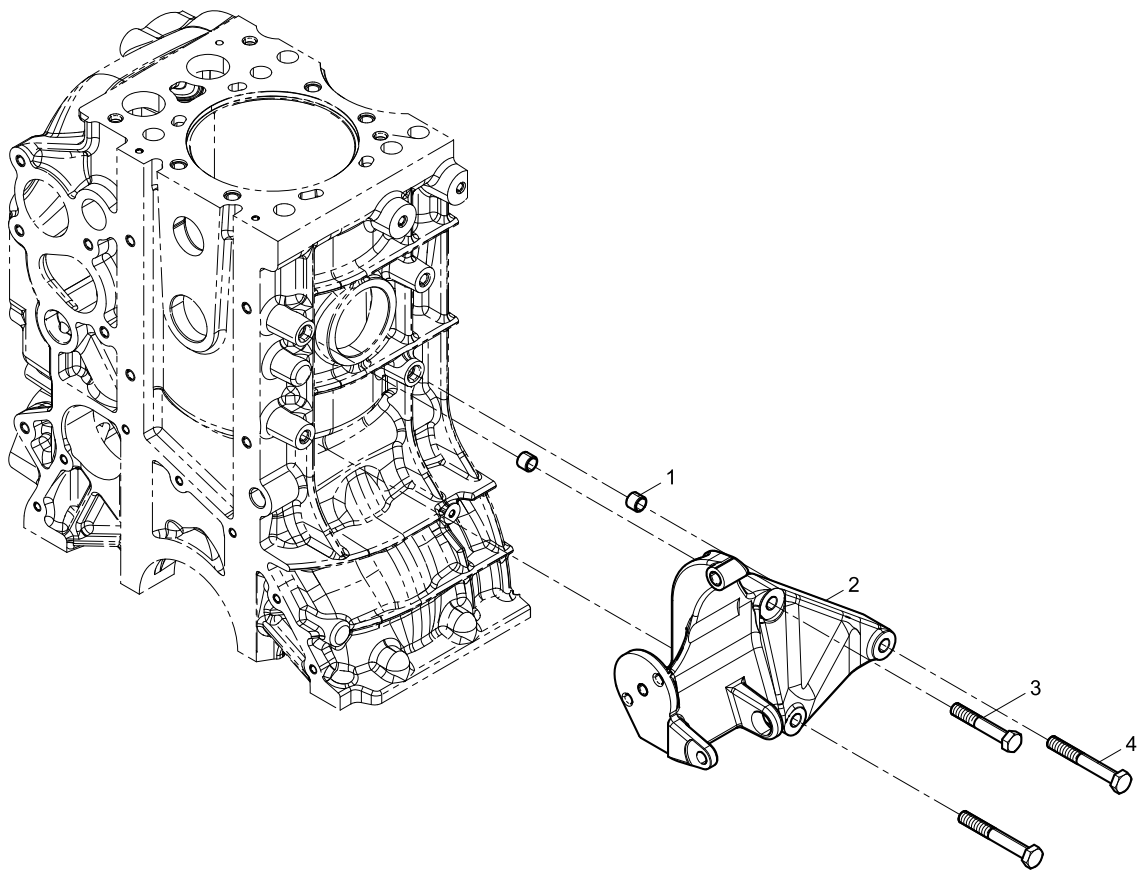


## Alternator Group





### Alternator Bracket Group





**ECU Data Group**

can't find EPC image!

**ECU Data Group**

<b>Pos.</b>	<b>Part Number</b>	<b>Qty.</b>	<b>Part Name</b>
	1000874019	1	Error Lamp Moduce
	1000926072	1	Start Control Function Module
	1000926703	1	AC Control Function Module
	1000916656	1	Exhaust Brake Function Module
	1000874063	1	Remote Start and Stop Function Module
	1000875612	1	Multi-value Selection Switch Function Module
	1000875598	1	Electrical Control Fan Function Module
	1001000678	1	Remote Accelerate Retarder Function Module
	1001001526	1	Remote Accelerate Retarder Function Module
	1001003095	1	Vehicle Speed Sensor Function Module
	1001001914	1	Maximum Vehicle Speed Limiting Module
	1000872968	1	Brake Switch Function Module
	1000872982	1	Clutch Switch Function Module
	1000915124	1	Neutral Gear Switch Module
	1000858560	1	Multi-function Switch Function Module
	1000915146	1	Oil Pressure Module
	1001001833	1	CAN Line Basic Module
	1000728429	1	Multi-function Switch Function Module
	1000728361	1	Multi-function Switch Function Module
	1000875562	1	Intake Air Heater Function Module
	1000875623	1	Intake Air Heater Function Module
	1001003417	1	Water In Fuel Function Module
	1002328991	1	Water In Fuel Function Module
	1002165788	1	ECU Basic Data

This manual is for reference only,  
product parameters are subject to alteration  
without notice, whichever is the physical product.

SHANDONG HEAVY INDUSTRY INDIA PVT. LTD.  
S. NO 280/281, Phase II, Hinjewadi, Village Mann  
Tal - Mulshi, Dist - Pune. 411 057  
Maharashtra, India.

[Baudouin.com](http://Baudouin.com)

 **MOTEURS**  
**Baudouin**  
a WEICHAI company

BAUDOJIN(WEIFANG) POWER CO., LTD.

